



LP-2241M

Linux Based PAC with Cortex-A8 CPU and 2 LAN Ports
Metal Case

Features

- Cortex-A8 (1.0 GHz) CPU
- Linux kernel 3.2.14 Inside
- 512 MB RAM and 512 MB Flash
- 64-bit Hardware Serial Number
- Real-Time Capability (RTC)
- I/O Expansion Bus
- 10/100/1000M Dual Ethernet Ports
- 4 Serial Ports (RS-232/485)
- Operating Temperature: -25 to +75 ° C



Introduction

The LP-2241M is equipped with a Cortex-A8 CPU (1 GHz) running a Linux operating system (Linux Kernel 3.2.14), a variant of input/output ports (VGA, USB, Ethernet, RS-232/485), and powerful software including development tools. Linux Kernel 3.2.14 is a compact and real-time OS used to quickly create time critical and high performance applications.

Main advantage of the LP-2241M is its high quality control system, including its stability, small core size, optional I/O expansion board, support for Web services (Web/SFTP/SSH server).

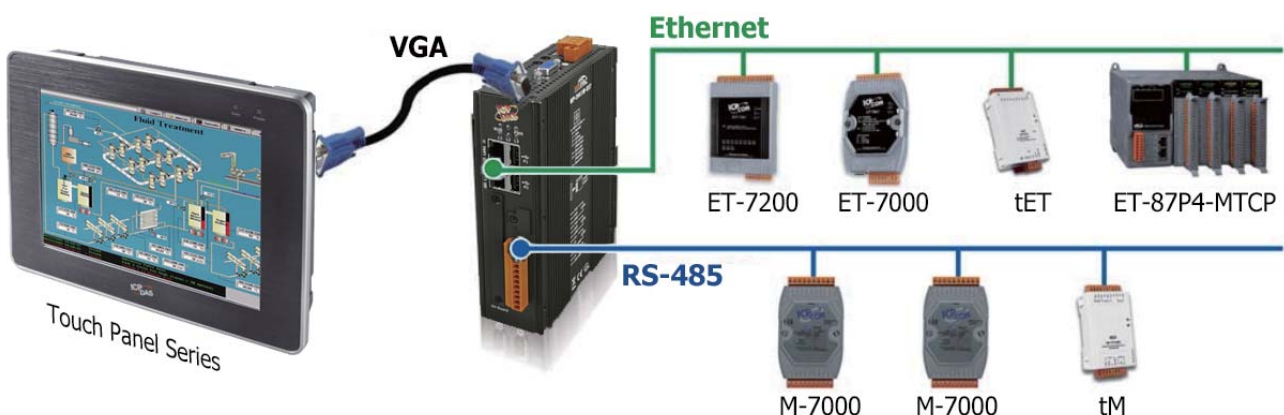
Linux Kernel OS



Main advantage of the LP-2241M is its high quality control system, including its stably properties, open source and the standard LinPAC SDK for Windows and Linux using the GNU C language, GUI software. The main purpose of LP-2241M is to allow the numerous enthusiastic Linux users to control their own embedded system easily within the Linux environment.

- LinPAC SDK for Windows and Linux
- Support for GNU C Language
- Support for GUI: Using GTK + Library
- Support for USB to Serial Converter
- Support for DCON, Modbus and SNMP Protocols

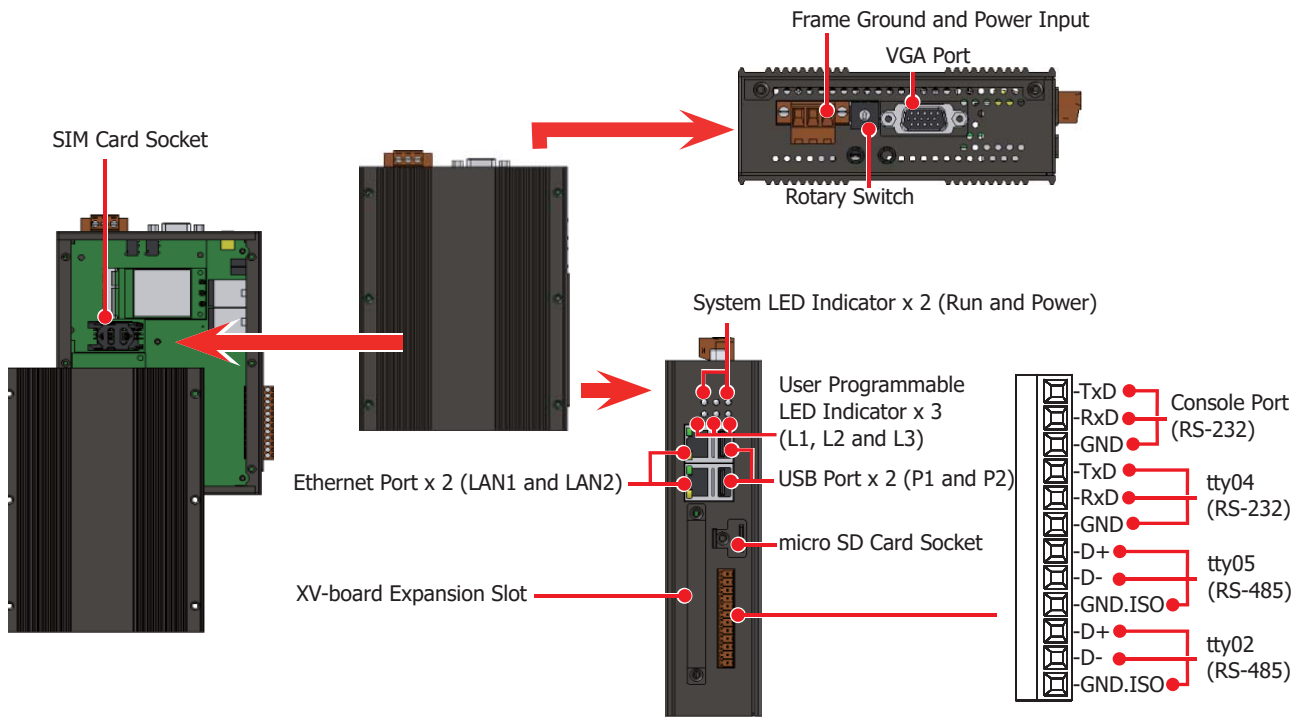
Applications



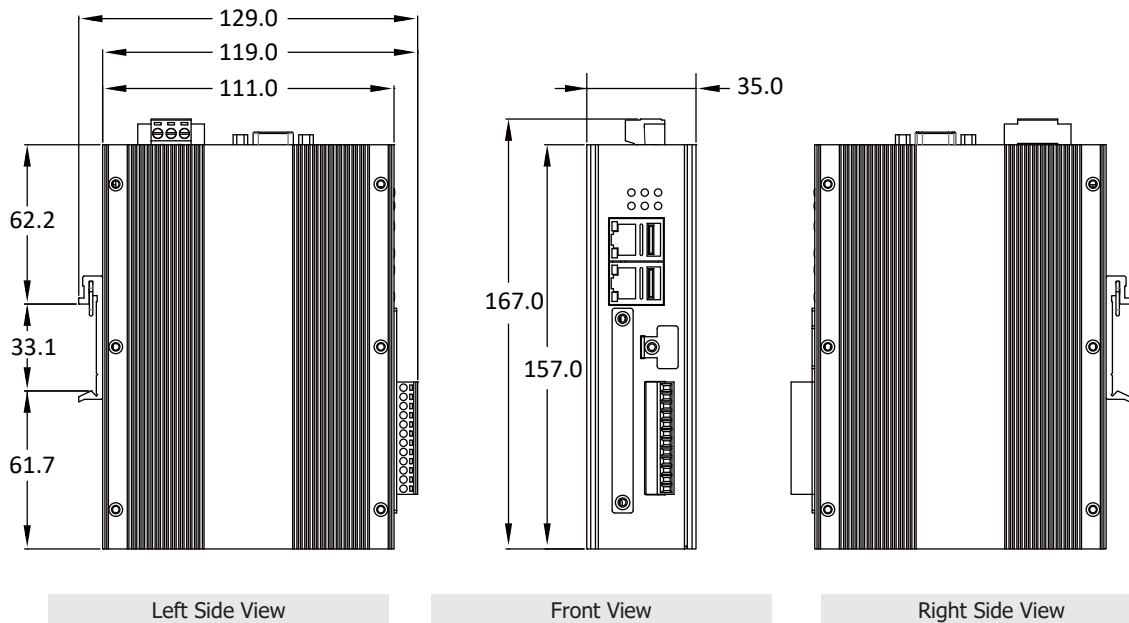
Specifications

Model	LP-2241M
System Software	
OS	Linux Kernel 3.2.14
Service	SFTP server, Web server, SSH
SDK	LinPAC SDK (GCC based toolchain and LinPAC Libraries)
CPU Module	
CPU	Cortex-A8, 1 GHz
SDRAM	512 MB DDR3
Flash	512 MB
FRAM	64 KB
Storage	4 GB microSD card (up to 32 GB)
RTC (Real Time Clock)	Provide seconds, minutes, hours, dates, day of week, month, year
64-bit Hardware Serial Number	Yes, for software copy protection
Watchdog Timer	Dual Watchdog Timer
Rotary Switch	1 x 10 Position (0 ~ 9)
Buzzer	Yes
Display	
VGA Resolution	Up to 1280 x 1024
LED Indicator	1 x Power, 1 x Run, 3 x Programmable
Communication Port	
Ethernet	2 x RJ-45, 10/100/1000 Based-TX (Auto-negotiating, Auto MDI/MDI-X, LED indicators)
USB 2.0 (host)	2
Console Port	RS-232 (RxD, TxD and GND); Non-isolated
ttyO2	RS-485 (Data+, Data-); Non-isolated
ttyO4	RS-232 (RxD, TxD and GND); Non-isolated
ttyO5	RS-485 (Data+, Data-); 2500 VDC isolated
I/O Expansion	
I/O Expansion Bus	One optional XV-board
Mechanical	
Casing	Metal
Dimensions (W x L x H)	35 mm x 167 mm x 119 mm
Ingress Protection Rating	IP30 (Aluminum)
Installation	DIN-Rail, Wall mounting (optional)
Environmental	
Operating Temperature	-25 ~ +75 °C
Storage Temperature	-40 ~ +80 °C
Ambient Relative Humidity	10 ~ 95 % RH, Non-condensing
Power	
Input Range	+12 ~ +48 VDC
Consumption	4.8 W (0.2 A @ 24 VDC)

Appearances



Dimensions (Units: mm)



Ordering Information

LP-2241M CR	Linux Based PAC with Cortex-A8 CPU and 2 LAN Ports, Metal Case (RoHS)
--------------------	---

Accessories

XV-Board	Add-on I/O Expansion Board
-----------------	----------------------------