
**ET-7065**
**PET-7065**

Ethernet I/O Module with 6-ch PhotoMOS Relay, 6-ch DI

**Features**

- Built-in Web Server
- Web HMI
- Support for both Modbus TCP and Modbus UDP Protocols
- Communication Security
- Dual Watchdog
- Wide Operating Temperature Range: -25 ~ +75°C
- I/O Pair Connection
- Built-in I/O
  - DI/Counter: 6 Channels
  - PhotoMOS Relay: 6 Channels


**Introduction**

The ET-7065/PET-7065 provides 6 wet contact digital input channels and 6 form A PhotoMOS relays. It features optical isolation for 3000 V<sub>rms</sub> of transient overvoltage protection and doesn't have channel-to-channel isolation. Each input channel can be used as a 32-bit counter. The power-on value and safe value of PhotoMOS relay are programmable. It can safely be used in applications where hazardous voltages are present.

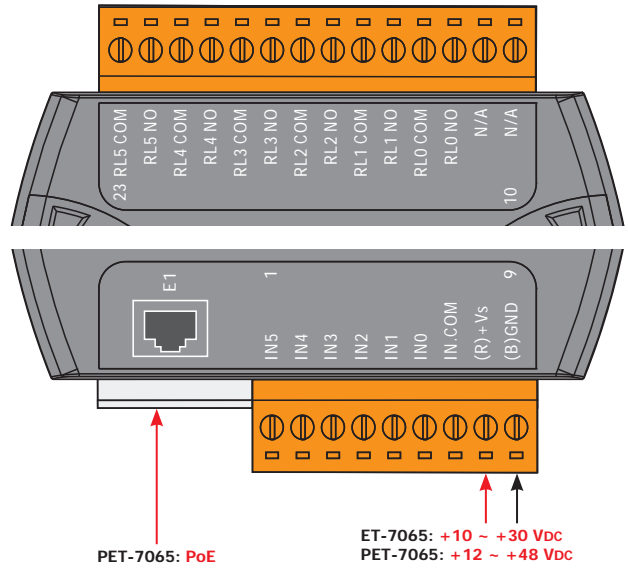
**System Specifications**

Models	ET-7065	PET-7065
<b>Software</b>		
Built-in Web Server		Yes
Web HMI		Yes
I/O Pair Connection		Yes
<b>Communication</b>		
Ethernet Port	10/100 Base-TX with Auto MDI/MDI-X	
PoE	-	Yes
Protocol	Modbus TCP, Modbus UDP	
Security	ID, Password and IP Filter	
Dual Watchdog	Yes, Module (0.8 seconds), Communication (Programmable)	
<b>LED Indicators</b>		
L1 (System Running)		Yes
L2 (Ethernet Link/Act)		Yes
L3 (Ethernet 10/100 M Speed)		Yes
PoE Power	-	Yes
<b>2-Way Isolation</b>		
Ethernet	1500 Vdc	-
I/O	3000 Vrms	3000 Vrms
<b>EMS Protection</b>		
ESD (IEC 61000-4-2)	4 kV Contact for Each Terminal	
EFT (IEC 61000-4-4)	+/-2 kV for Power	
<b>Power</b>		
Reverse Polarity Protection		Yes
Powered from Terminal Block	Yes, 10 ~ 30 Vdc	Yes, 12 ~ 48 Vdc
Powered from PoE	-	Yes, IEEE 802.3af, Class1
Power Output	-	-
Consumption	2.9 W	3.0 W
<b>Mechanical</b>		
Dimensions (W x L x H)	72 mm x 123 mm x 35 mm	
Installation	DIN-Rail or Wall Mounting	
<b>Environment</b>		
Operating Temperature	-25 ~ +75°C	
Storage Temperature	-30 ~ +80°C	
Humidity	10 ~ 90% RH, Non-condensing	

### I/O Specifications

Digital Input/Counter		
Channels	6	
Contact	Wet Contact	
Sink/Source (NPN/PNP)	Sink/Source	
On Voltage Level	+10 Vdc ~ +50 Vdc	
Off Voltage Level	+4 Vdc Max.	
Input Impedance	10 kΩ	
Counters	Max. Count	4,294,967,285 (32 bits)
	Max. Input Frequency	500 Hz
	Min. Pulse Width	1 ms
Overvoltage Protection	+70 Vdc	
PhotoMOS Relay		
Channels	6	
Type	PhotoMOS Relay, Form A	
Load Voltage	60 Vdc/Vac	
Max. Load Current	60V/1.0A (Operating Temperature -25 ~ +40°C)	
	60V/0.8A (Operating Temperature +40 ~ +60°C)	
	60V/0.7A (Operating Temperature +60 ~ +75°C)	
Operate Time	1.3 ms (Typical)	
Release Time	0.1 ms (Typical)	
Power-on Value	Yes, Programmable	
Safe Value	Yes, Programmable	

### Pin Assignments

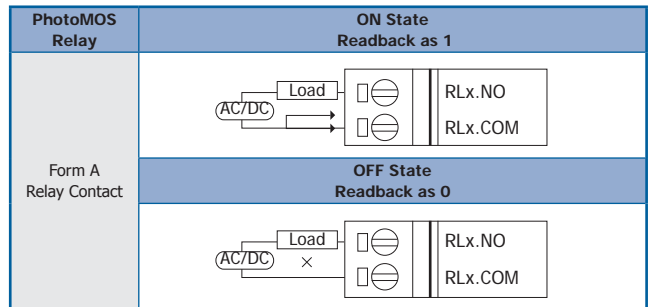


3  
3

Ethernet I/O Products

### Wire Connections

Digital Input/Counter	Readback as 1	Readback as 0
Sink	+10 ~ +50 Vdc 	OPEN or <4 Vdc 
	Source	+10 ~ +50 Vdc 



### Ordering Information

ET-7065 CR	Ethernet I/O Module with 6-ch PhotoMOS Relay, 6-ch DI (RoHS)
PET-7065 CR	PoE Ethernet I/O Module with 6-ch PhotoMOS Relay, 6-ch DI (RoHS)