



**ET-7067**  
**PET-7067**

**ET-7267**  
**PET-7267**

Ethernet I/O Module with 8-ch Relay

### Features

- Built-in Web Server
- Web HMI
- Support for both Modbus TCP and Modbus UDP Protocols
- Communication Security
- 2-port Ethernet Switch for Daisy-Chain Topology
- Dual Watchdog
- Wide Operating Temperature Range: -25 ~ +75°C
- I/O Pair Connection
- Built-in I/O
  - Power Relay: 8 Channels



### Introduction

The ET-7067/PET-7067/ET-7267/PET-7267 provides 8 form A electromechanical relays. It features optical isolation for 3000 Vrms of transient overvoltage protection and doesn't have channel-to-channel isolation. The power-on value and safe value of relay are programmable. It can safely be used in applications where hazardous voltages are present. The user should choose ET-7063/PET-7063/ET-7263/PET-7263 to switch inductive loads instead of ET-7062/PET-7062/ET-7262/PET-7262.

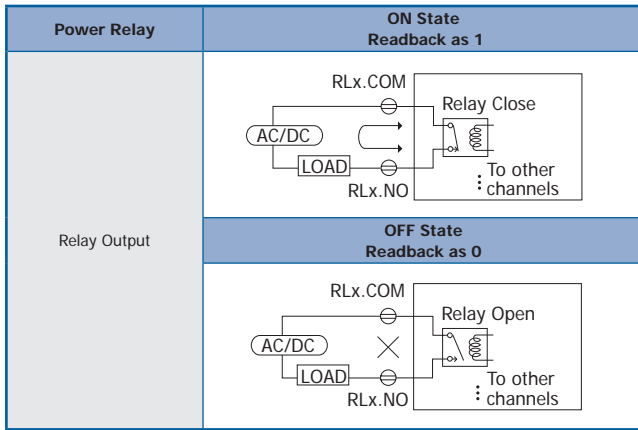
### System Specifications

Models	ET-7067	PET-7067	ET-7267	PET-7267
<b>Software</b>				
Built-in Web Server			Yes	
Web HMI			Yes	
I/O Pair Connection			Yes	
<b>Communication</b>				
Ethernet Port	1 x RJ-45, 10/100 Base-TX		2 x RJ-45, 10/100 Base-TX, Switch Ports	
PoE	-	Yes	-	Yes
Protocol	Modbus TCP, Modbus UDP			
Security	ID, Password and IP Filter			
Dual Watchdog	Yes, Module (0.8 seconds), Communication (Programmable)			
<b>LED Indicators</b>				
for System Running			Yes	
for Ethernet Link/Act			Yes	
for DI/DO status	-	-	-	Yes
for PoE Power	-	Yes	-	Yes
<b>2-Way Isolation</b>				
Ethernet	1500 Vdc	-	1500 Vdc	-
I/O	2500 Vdc		2500 Vdc	
<b>EMS Protection</b>				
ESD (IEC 61000-4-2)	4 kV Contact for Each Terminal and 8 kV Air for Random Point			
EFT (IEC 61000-4-4)	+/-4 kV for Power			
<b>Power</b>				
Reverse Polarity Protection	Yes			
Powered from Terminal Block	10 ~ 30 Vdc	12 ~ 48 Vdc	12 ~ 48 Vdc	12 ~ 48 Vdc
Powered from PoE	-	Yes, IEEE 802.3af, Class1	-	Yes, IEEE 802.3af, Class1
Consumption	3.2 W	3.9 W	? W	? W
<b>Mechanical</b>				
Dimensions (W x L x H)	72 mm x 123 mm x 35 mm		76 mm x 120 mm x 38 mm	
Installation	DIN-Rail or Wall Mounting			
<b>Environment</b>				
Operating Temperature	-25 ~ +75°C			
Storage Temperature	-30 ~ +80°C			
Humidity	10 ~ 90% RH, Non-condensing			

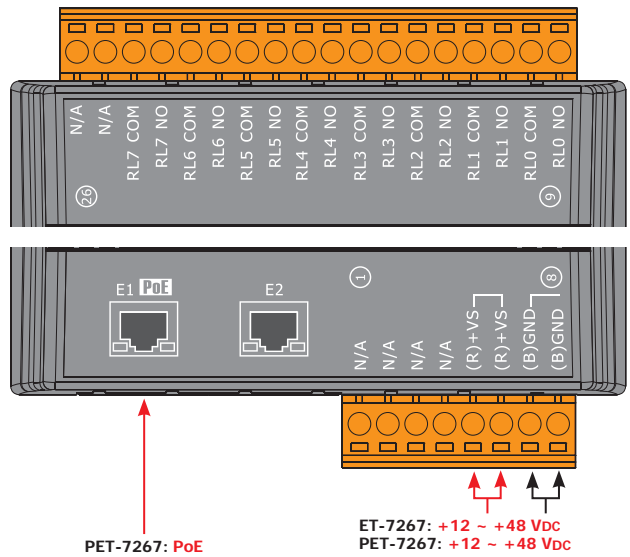
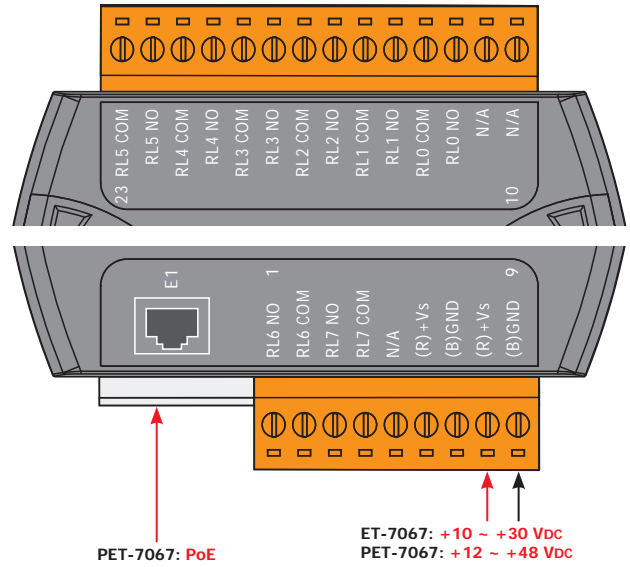
### I/O Specifications

Power Relay		
Channels	8	
Type	Power Relay, Form A (SPST N.O.)	
Operating Voltage Range	250 VAC/30 Vdc	
Max. Load Current	5.0A/channel at 25°C	
Operate Time	6 ms (Typical)	
Release Time	3 ms (Typical)	
Electrical Life (Resistive Load)	VDE	5A 250 VAc 30,000 ops (10 ops/minute) at 75°C
		5A 30 Vdc 70,000 ops (10 ops/minute) at 75°C
	UL	5A 250 VAc/30 Vdc 6,000 ops. 3A 250 VAc/30 Vdc 100,000 ops.
Mechanical Life	20,000,000 ops. at no load (300 ops./minute)	
Power-on Value	Yes, Programmable	
Safe Value	Yes, Programmable	

### Wire Connections



### Pin Assignments



### Ordering Information

ET-7067 CR	Ethernet I/O Module with 8-ch Relay (RoHS)
PET-7067 CR	PoE Ethernet I/O Module with 8-ch Relay (RoHS)
ET-7267 CR	Ethernet I/O Module with 2-port Ethernet Switch, with 8-ch Relay (RoHS)
PET-7267 CR	PoE Ethernet I/O Module with 2-port Ethernet Switch, with 8-ch Relay (RoHS)