

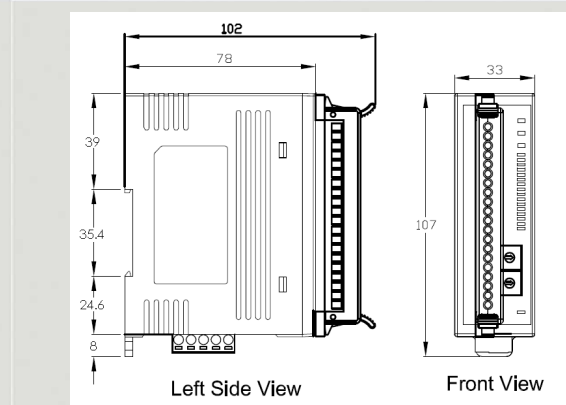


CANopen Series Products

4 Ch DI & 4 Ch DO Relay Output CANopen Slave



CAN-2060C



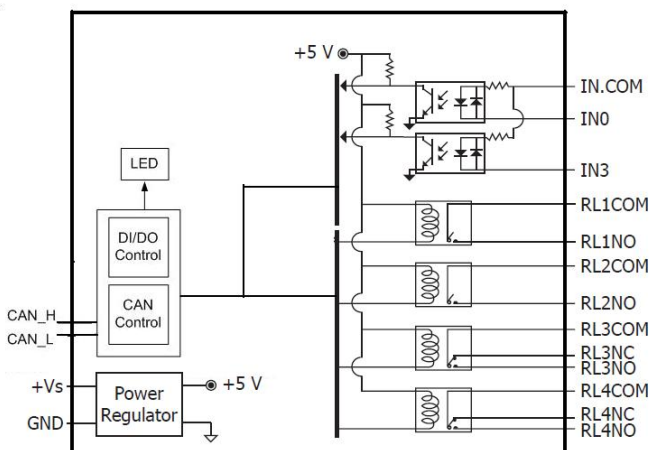
Dimensions

CAN-2060C module follows the CiA-301 version 4.02 and CiA-401 version 2.1. You can access the digital I/O status and set the configuration by using standard CANopen protocol. CAN-2060C has passed the validation of the CiA CANopen Conformance Test tool. Therefore, you can use it with standard CANopen master easily by applying the EDS file. CAN-2060C has 4 isolated sink/source input channels and 4 relay output channels. It can be used to various applications. By owing to the CANopen masters of ICP DAS, you can quickly build a CANopen network to approach your requirement.

Features

- NMT Slave
- Provide Pair-Connect function
- Provide default EDS file
- ESD Protection 4KV Contact for each channel
- Support Power supply 10 ~30 V_{DC}
- Support CiA-301 v4.02, CiA-401 v2.1
- Support PDO Mapping

Internal I/O Structure

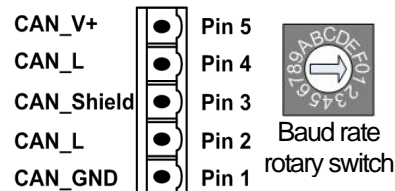


I/O Pin & Wire Connection

Terminal No.	Pin Assignment
01	DI.COM
02	DI0
03	DI1
04	DI2
05	DI3
06	GND
07	
08	NO0
09	COM0
10	NO1
11	COM1
12	NO2
13	COM2
14	NO3
15	COM3
16	
17	
18	
19	
20	

Input Type	ON State LED ON	ON State LED OFF
Input Type Dry Contact	Relay ON	Relay OFF
Relay Contact		
TTL/CMOS Logic	Logic Level Low	Logic Level High
Open Collector	Open Collector ON	Open Collector OFF
Input Type Wet Contact	ON State LED ON	OFF State LED OFF
Relay Contact	Relay ON	Relay OFF
TTL/CMOS Logic	Logic Level Low	Logic Level High
NPN Output	Open Collector ON	Open Collector OFF
PNP Output	Open Collector ON	Open Collector OFF
Output Type	ON State LED ON	OFF State LED OFF
Relay	Relay ON	Relay OFF

CAN Pin & Baud Rate Rotary

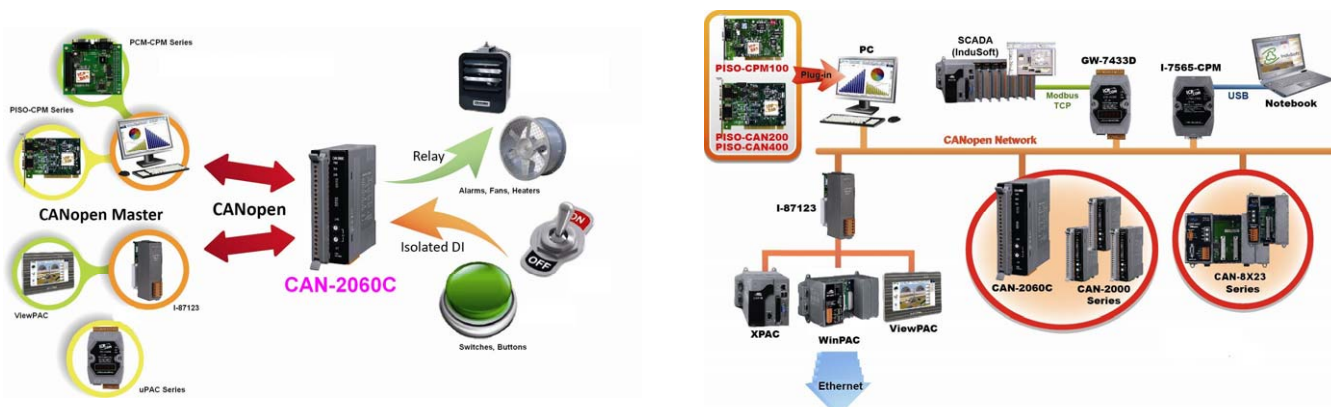


Switch Value	Baud Rate
0	10 kbps
1	20 kbps
2	50 kbps
3	125 kbps
4	250 kbps
5	500 kbps
6	800 kbps
7	1000 kbps

Hardware Specifications

CAN Interface	
Connector	5-pin screwed terminal block (CAN_GND, CAN_L, CAN_SHLD, CAN_H, CAN_V+)
Baud Rate (bps)	10 k, 20 k, 50 k, 125 k, 250 k, 500 k, 800 k, 1M
Terminator Resistor	Switch for 120 Ω terminator resistor
Node ID	1~99 selected by rotary switch
Protocol	CANopen CiA-301 ver4.02, CiA-401 ver2.1
No. of PDOs	10 Rx, 10Tx (Support Dynamic PDO)
PDO Mode	Event Triggered, Remotely requested, Cyclic and acyclic SYNC
Digital Input	
Channels	4 (Sink/Source)
On Voltage Level	3.5 ~ 30 V _{DC}
Off Voltage Level	+1 V _{DC} Max
Response Time	250 us
ESD protection	4kV contact for each channel
Relay Output	
Channels	4
Type	Form A (SPST-NO)
Resistive Load	5 A
LED	
Round LED	PWR LED, RUN LED, ERR LED
Alarm LED	4 LEDs for DI and Relay output individually, and 1 LED as terminal resistor indicator
Power	
Input range	Unregulated +10 ~ +30 V _{DC}
Power Consumption	1.5 W
Mechanism	
Dimensions	33 mm x 99 mm x 78 mm (W x L x H)
Environment	
Operating Temp.	-25 ~ 75 °C
Storage Temp.	-30 ~ 80 °C
Humidity	10 ~ 90% RH, non-condensing

Application



Ordering Information

CAN-2060C

CANopen module of 4- channel Digital Input and 4- channel Relay Output