


I-7018Z
M-7018Z

10-channel Thermocouple Input Module

Features

- 10-channel Analog Input
- Temperature Output Consistency
- Stable Temperature Output in the Field
- Current, Voltage and Thermocouple Input
- Overvoltage Protection of up to 240 Vrms
- Individual Channel Configuration
- Open Thermocouple Detection
- 4 kV ESD Protection
- 3000 Vdc Intra-module Isolation
- Dual Watchdog
- Wide Operating Temperature Range: -25 to +75°C



Introduction

The I-7018Z/M-7018Z is a 10-channel universal Analog Input module with an RS-485 interface that is especially designed for extremely accurate thermocouple measurement and features automatic cold-junction compensation for each channel to ensure temperature output consistency and stable temperature output in the field. The innovative design of the enhanced model ensures that thermocouple measurement is more accurate than with the earlier design. Besides the thermocouple inputs, the I-7018Z/M-7018Z also supports voltage and current input. The voltage input range can be from +/-15 mV to +/-2.5 V. Up to 10 different types of Analog Input can be connected to a single module. Overvoltage protection of up to 240 Vrms is provided. The module also features per-channel open wire detection for the thermocouple and +4 ~ +20 mA input channels. The M-7018Z provides additional support for both the Modbus RTU and DCON protocols, which can be configured via software, and all hardware specifications are the same as the I-7018Z.

System Specifications

Model	I-7018Z	M-7018Z
Communication		
Interface	RS-485	
Bias Resistor	No (Usually supplied by the RS-485 Master. Alternatively, add a tM-SG4 or SG-785.)	
Format	(N, 8, 1) (N, 8, 2) (E, 8, 1) (O, 8, 1)	
Baud Rate	1200 to 115200 bps	
Protocol	DCON	Modbus RTU, DCON
Dual Watchdog	Yes, Module (1.6 Seconds), Communication (Programmable)	
LED Indicators/Display		
System LED Indicator	Yes, 1 as Power/Communication Indicator	
I/O LED Indicators	-	
7-segment LED Display	-	
Isolation		
Intra-module Isolation, Field-to-Logic	3000 Vdc	
EMS Protection		
ESD (IEC 61000-4-2)	±4 kV Contact for each Terminal	
EFT (IEC 61000-4-4)	±4 kV to Power	
Surge (IEC 61000-4-5)	±0.5 kV for Power Line	
Power		
Reverse Polarity Protection	Yes	
Input Range	+10 ~ +30 Vdc	
Consumption	1.0 W	
Mechanical		
Dimensions (L x W x H)	M-7019Z	116 mm x 73 mm x 35 mm
	DB-1820	78 mm x 65 mm x 22 mm
	DN-1822	103 mm x 96 mm x 27 mm
Installation	DIN-Rail or Wall Mounting	
Environment		
Operating Temperature	-25 to +75°C	
Storage Temperature	-40 to +85°C	
Humidity	10 to 95% RH, Non-condensing	

Applications

- Building Automation
- Machine Automation
- Remote Diagnosis
- Factory Automation
- Remote Maintenance
- Testing Equipment

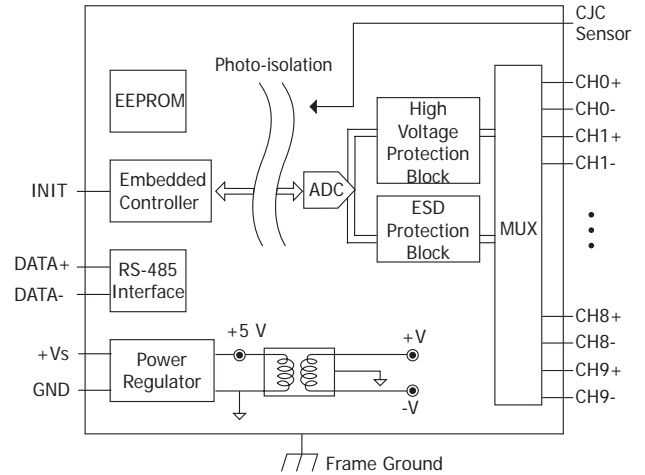
I/O Specifications

Model	I-7018Z	M-7018Z
Analog Input		
Channels	10	
Wiring	Differential	
Sensor Type	Thermocouple	J, K, T, E, R, S, B, N, C, L, M, LDIN43710
	Voltage	±1.5 mV, ±50 mV, ±100 mV, ±500 mV, ±1 V, ±2.5 V
	Current	±20 mA, 0 ~ 20 mA, 4 ~ 20 mA (requires an optional external 125 Ω resistor)
Resolution	16-bit	
Accuracy	±0.1% of FSR	
Sampling Rate	10 Hz (Total)	
Input Impedance	> 400 kΩ	
Common Voltage Protection	±200 Vdc	
Individual Channel Configuration	Yes	
Overvoltage Protection	240 Vrms	
Open Wire Detection (for thermocouple only)	Yes	
Temperature Output Consistency	Yes	
Stable Temperature Output in the Field	Yes	

Thermocouple Types

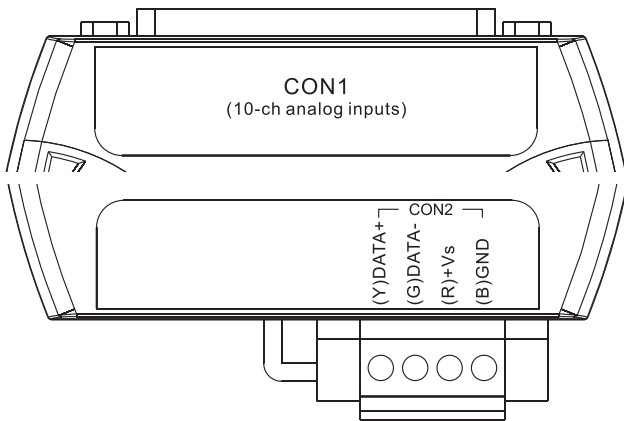
Type Code	Thermocouple Type	Temperature Range
0E	Type J	-210 to +760°C
0F	Type K	-270 to +1372°C
10	Type T	-270 to +400°C
11	Type E	-270 to +1000°C
12	Type R	0 to +1768°C
13	Type S	0 to +1768°C
14	Type B	0 to +1820°C
15	Type N	-270 to +1300°C
16	Type C	0 to +2320°C
17	Type L	-200 to +800°C
18	Type M	-200 to +100°C
19	Type L _{DIN43710}	-200 to +900°C

Internal I/O Structure



Pin Assignments

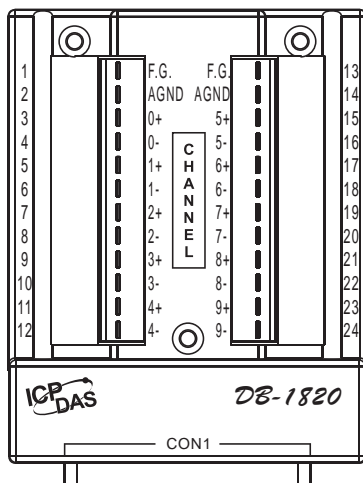
I-7018Z/M-7018Z



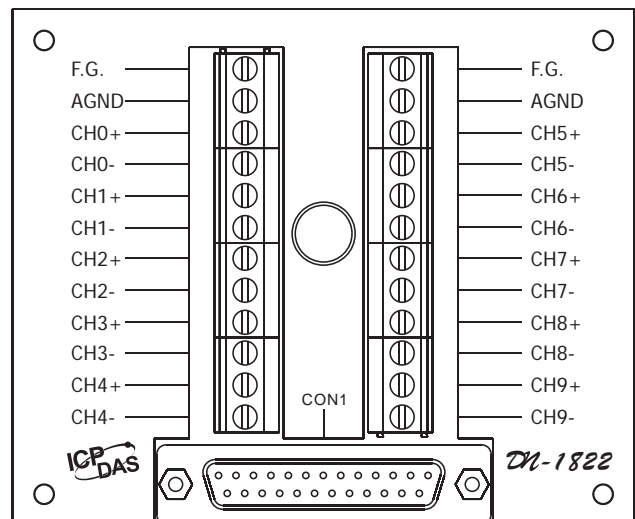
CON1			
Pin Assignment	Terminal	No.	Pin Assignment
+5V	01	14	AGND
CJC	02	15	CH 0+
CH 0-	03	16	CH 1+
CH 1-	04	17	CH 2+
CH 2-	05	18	CH 3+
CH 3-	06	19	CH 4+
CH 4-	07	20	CH 5+
CH 5-	08	21	CH 6+
CH 6-	09	22	CH 7+
CH 7-	10	23	CH 8+
CH 8-	11	24	CH 9+
CH 9-	12	25	N.C.
N.C.	13	Shield	F.G.

25-pin Female D-Sub Connector

DB-1820



DN-1822

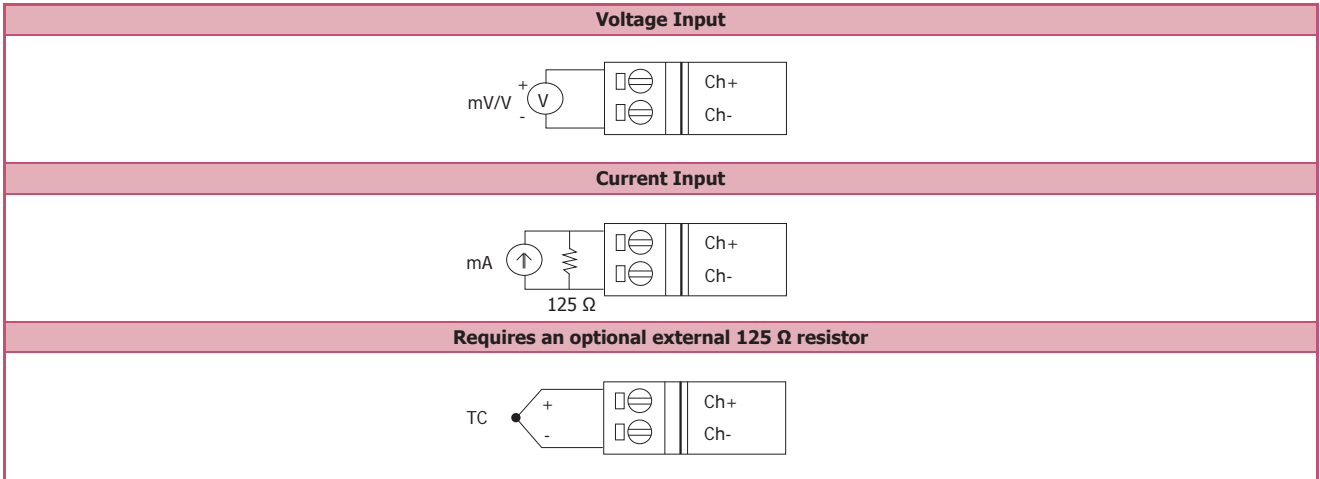


2
3

RS-485 Remote I/O Modules

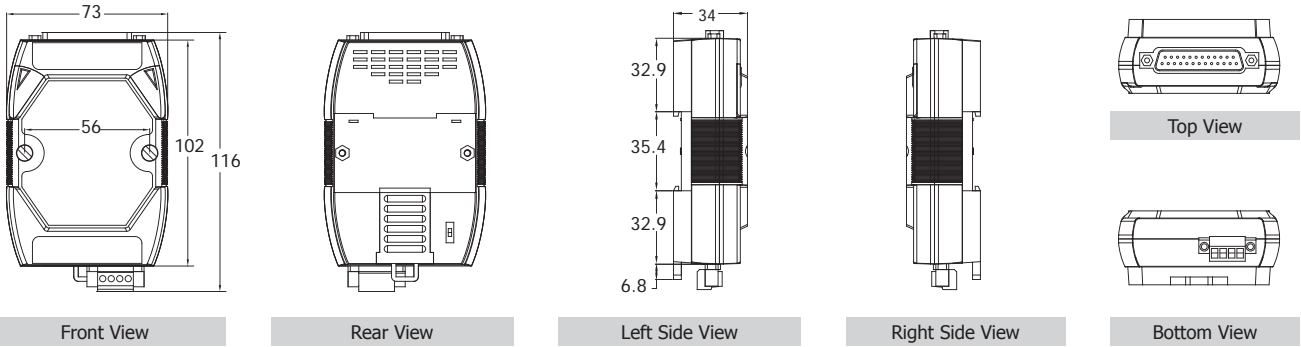
I-7018Z/M-7018Z

Wire Connections

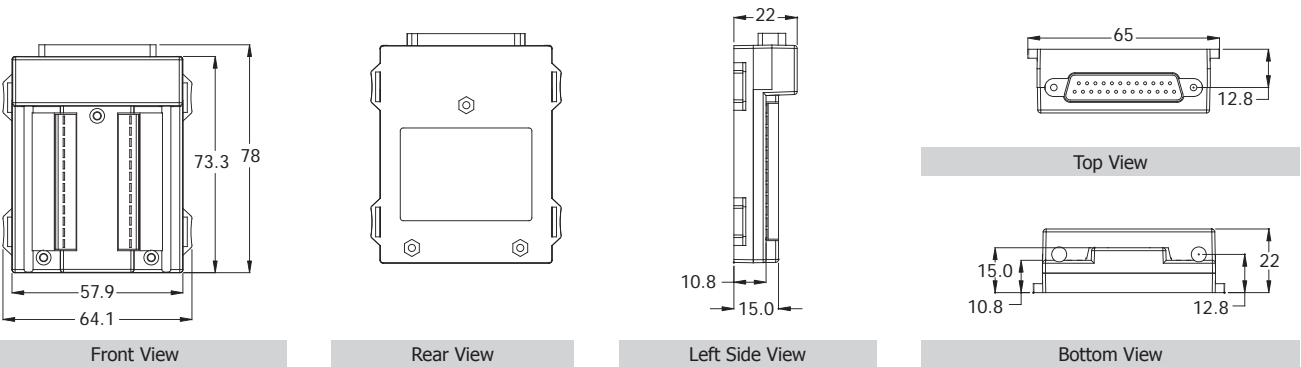


Dimensions (Units: mm)

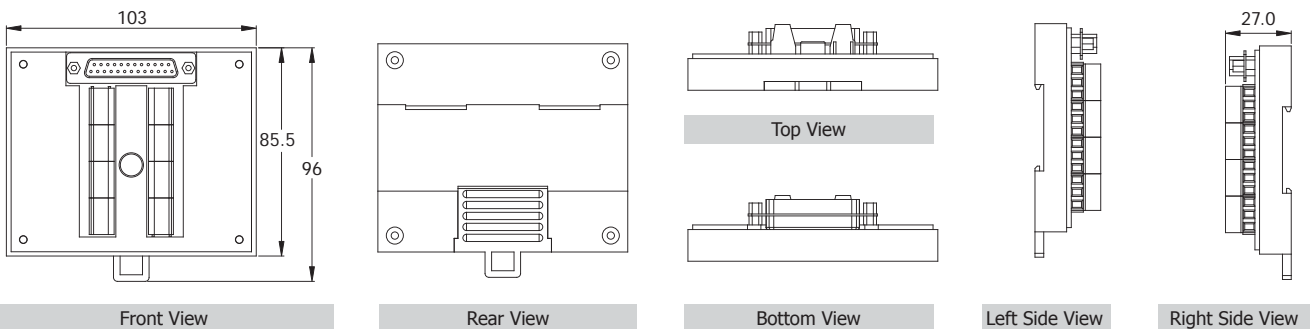
I- 7018Z/M- 7018Z



DB-1820





DN-1822






Ordering Information






I-7018Z-G/S CR	10-channel Thermocouple Input Module using the DCON Protocol (Gray Cover) (RoHS) Includes an I-7018Z Module and a DB-1820 Daughterboard.
I-7018Z-G/S2 CR	10-channel Thermocouple Input Module using the DCON Protocol (Gray Cover) (RoHS) Includes an I-7018Z Module, a DN-1822 Daughterboard and a CD-2518D 1.8 m Cable.
M-7018Z-G/S CR	10-channel Thermocouple Input Module using the DCON and Modbus Protocols (Gray Cover) (RoHS) Includes an M-7018Z Module and a DB-1820 Daughterboard.
M-7018Z-G/S2 CR	10-channel Thermocouple Input Module using the DCON and Modbus Protocols (Gray Cover) (RoHS) Includes an M-7018Z Module, a DN-1822 Daughterboard and a CD-2518D 1.8 m Cable.

Front	Rear	
		
<p>I-7018Z-G/S = I-7018Z + DB-1820 (The DB-1820 connects directly to the I-7018Z)</p> <p>M-7018Z-G/S = M-7018Z + DB-1820 (The DB-1820 connects directly to the M-7018Z)</p>		<p>I-7018Z-G/S2 = I-7018Z + DN-1822 (The DN-1822 connects directly to the I-7018Z)</p> <p>M-7018Z-G/S2 = M-7018Z + DN-1822 (The DN-1822 connects directly to the M-7018Z)</p>








2
3
RS-485 Remote I/O Modules

Suggested Accessories

	CD-2518D CR	25-pin Female to 25-pin Male 1.8 m Cable for the DB-1820 with DIN-Rail Mount (RoHS)
	CD-25015 CR	25-pin Female to 25-pin Male 15 cm Cable for the DB-1820 with DIN-Rail Mount (RoHS)
	4PAPP-006-G CR	Plastic Rack (RoHS)

	 <p>CD-25015 15 cm Cable + DB-1820</p>		 <p>CD-2518D 1.8 m Cable + DB-1820</p>
	 <p>4PAPP-006-G</p>		<p>I-7018Z-G/S + CD-25015 + 4PAPP-006-G M-7018Z-G/S + CD-25015 + 4PAPP-006-G</p>

Accessories

	tM-7520U CR	RS-232 to RS-485 Converter (RoHS)		SG-770 CR	7-channel Differential or 14-channel Single-ended Surge Protector (RoHS)
	tM-7561 CR	USB to RS-485 Converter (RoHS)		SG-3000 Series	Signal Conditioning Modules for Thermocouple, RTD, DC Voltage, DC Current and Power Input Transformers
	tM-SG4 CR	RS-485 Bias and Termination Resistor Module (RoHS)		125 Ω, 0.1% DIP Resistor	125 Ω External Resistor for use with Current Input on I-7011/I-7012/I-7017/I-7018 Series Modules
	I-7514U CR	4-channel RS-485 Hub (RoHS)			

I-7018Z/M-7018Z