

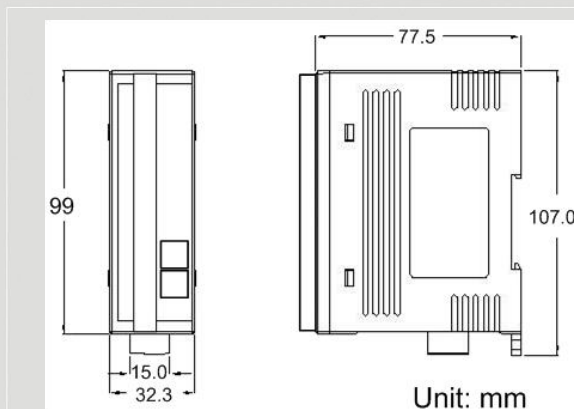


DeviceNet Series Products

8-channel Analog Input Module of DeviceNet Slave



CAN-2017D



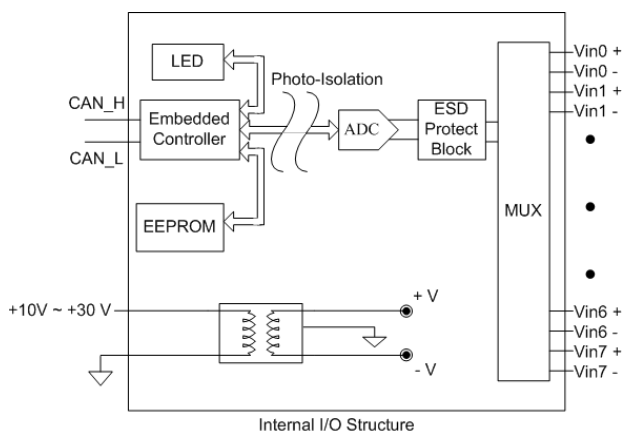
Dimensions

The CAN-2017D follows DeviceNet specification Volume I/II, Release 2.0. User can access the analog input status and set the configuration via DeviceNet EDS file. This module has 8 differential analog input channels. By the DeviceNet masters of ICP DAS, you can quickly build a DeviceNet network to approach your requirements.

Features

- DeviceNet general I/O slave devices
- Comply with DeviceNet specification Volume I, Release 2.0 & Volume II, Release 2.0, Errata 5
- Group 2 Only Server (non UCMM-capable)
- Support Predefined Master/Slave Connection Set
- Connection supported:
 - 1 connection for Explicit Messaging
 - 1 connection for Polled I/O
 - 1 connection for Bit-Strobe I/O connection
- Support DeviceNet heartbeat and shutdown messages
- Provide EDS file for DeviceNet master interface

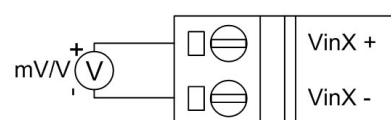
Internal I/O Structure



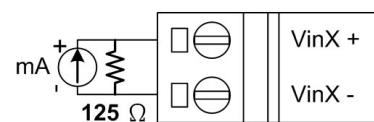
I/O Pin & Wire Connection

Terminal No.	Pin Assignment
01	Vin 0 +
02	Vin 0 -
03	Vin 1 +
04	Vin 1 -
05	Vin 2 +
06	Vin 2 -
07	Vin 3 +
08	Vin 3 -
09	Vin 4 +
10	Vin 4 -
11	Vin 5 +
12	Vin 5 -
13	Vin 6 +
14	Vin 6 -
15	Vin 7 +
16	Vin 7 -
17	N/A
18	N/A
19	N/A
20	N/A

Voltage Input Wiring



Current Input Wiring



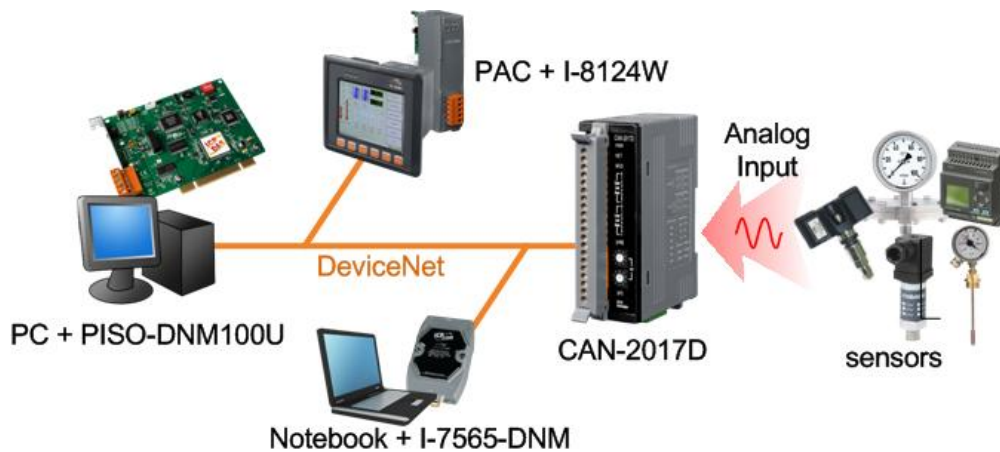
CAN Pin & Baud Rate Rotary

CAN_V+	Pin 5	<p>Baud rate rotary switch</p> <table border="1"> <thead> <tr> <th>Switch Value</th> <th>Baud Rate</th> </tr> </thead> <tbody> <tr> <td>0</td> <td>125 kbps</td> </tr> <tr> <td>1</td> <td>250 kbps</td> </tr> <tr> <td>2</td> <td>500 kbps</td> </tr> </tbody> </table>	Switch Value	Baud Rate	0	125 kbps	1	250 kbps	2	500 kbps
Switch Value	Baud Rate									
0	125 kbps									
1	250 kbps									
2	500 kbps									
CAN_H	Pin 4									
CAN_SHLD	Pin 3									
CAN_L	Pin 2									
CAN_GND	Pin 1									

Hardware Specifications

CAN Interface	
DeviceNet Specification	Volume I, Release 2.0 & Volume II, Release 2.0, Errata 5
DeviceNet subscribe	Group 2 Only Server
Connection supported	1 connection for Explicit Messaging 1 connection for Polled I/O 1 connection for Bit-Strobe I/O
Node ID	0~63 selected by rotary switch
Baud Rate (bps)	125 kbps, 250 kbps, 500 kbps
Heartbeat/Shutdown message	Yes
Terminator Resistor	Switch for 120 Ω terminator resistor
Analog Input	
Channels	8 Differential
Voltage Range	+/-10 V, +/-5 V, +/-1 V, +/-500 mV, +/-150 mV
Current Range	-20 mA ~ +20 mA (Requires Optional External 125 Ω Resistor)
ESD Protection	4 kV Contact for each channel
LED	
Round LED	PWR LED, NET LED, MOD LED
Terminal resistor LED	1 LED as terminal resistor indicator
Alarm LED	8 LEDs as over upper limit value indicator 8 LEDs as over lower limit value indicator
Power	
Input range	Unregulated +10 ~ +30 V _{DC}
Power Consumption	2 W
Mechanism	
Installation	DIN-Rail
Dimensions	32.3 mm x 99 mm x 77.5 mm (W x L x H)
Environment	
Operating Temp.	-25 ~ 75 $^{\circ}$ C
Storage Temp.	-30 ~ 80 $^{\circ}$ C
Humidity	10 ~ 90% RH, non-condensing

Applications



Ordering Information

CAN-2017D

DeviceNet module of 8-channel Differential Analog Input