

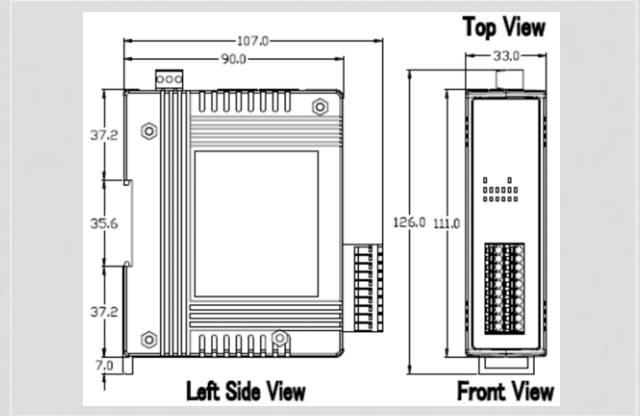


EtherNet/IP Series Products

EtherNet/IP module – 6 DI and 6 Relay



EIP-2060



Dimensions

The EIP-2060 is a remote I/O module with 6 DIs and 6 relays. It is designed as an EtherNet/IP adapter. With 2 Ethernet ports, the EIP-2055 allows daisy chain connection which permits the flexibility in locating devices, eases installation and lowers infrastructure costs. Users can obtain the I/O as well as the connection status of the EIP-2060 by the LEDs. In addition, ICPDAS provides software utility to easily configure and test the EIP-2000 modules via Ethernet.

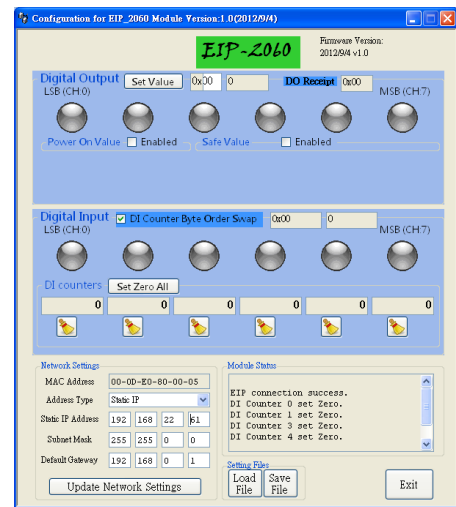
Features

- Transfer protocol: EtherNet/IP
- Powerful 32-bit MCU handles efficient network traffic
- 10/100 Base-TX Ethernet, RJ-45 x 2 (Auto-negotiating, auto MDI/MDIX, LED Indicators)
- Support ARP, TCP, UDP, ICMP, DHCP, BOOTP and TFTP protocols
- Easy firmware update via Ethernet
- Removable terminal block connector
- LED display to indicate the I/O status
- Built-In I/O
 - DI/Counter: 6 Channels
 - Relay: 6 Channels
- Power-On-Value
- Safe-Value
- RoHS compliant

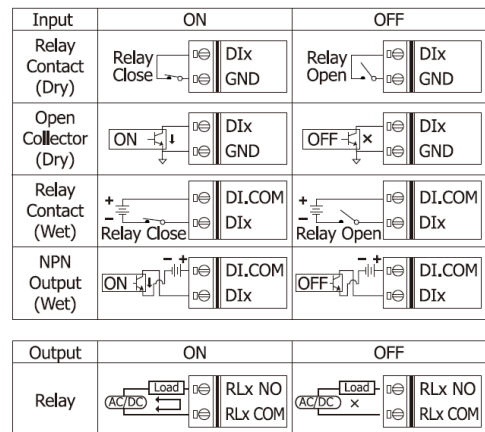
Utility Features

ICPDAS provides the EIP-2000 configuration utility for Windows 2K/XP/Vista and Win 7.

- Network parameters configuration
- Settings for power-on value and safe value.
- DI counters inspection
- Easy test to transmit/receive the I/O status by EtherNet/IP
- Setting files management



Wire connection

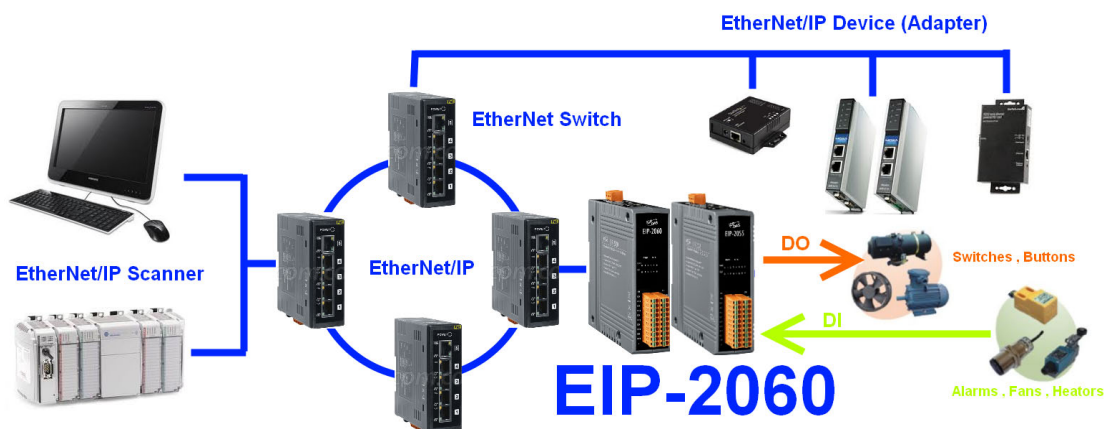




Hardware Specifications

Digital Input		
Channels	6	
Input Type	Dry Contact: Source, Wet Contact: Sink / Source	
Dry Contact Level	Off Voltage Level: Open	On Voltage Level: Close to GND
Wet Contact Level	Off Voltage Level: +4V max	On Voltage Level: +10 V ~ +50 V
Counters	Channels	6
	Max. Counts	32-bit (4294967295)
	Max. Input Frequency	5KHz
Photo-Isolation	3750 V _{DC}	
Digital Output		
Channels	6	
Output Type	Form A(SPST-NO)	
Contact Rating(Resistive Load)	5A 250VAC (47~63Hz)	
	5A 30 V _{DC}	
Operate Time	10ms max.	
Release Time	5ms max.	
Insulation Resistance	1,000MΩs at 500 V _{DC}	
Dielectric Strength	Between Open Contact	1000VAC (1 min.)
	Between Coil and Contacts	3000VAC (1 min.)
Endurance	Mechanical	20,000,000 times min.
	Electrical	100,000 times min.
Communication Interface		
Connector	10/100 Base-TX, 8-pin RJ-45 x 2 Support daisy chain connection	
Standard Supported	IEEE 802.3 Ethernet/IP	
Power		
Input Voltage Range	10V ~ 30V	
Power Consumption	1.6W	
Mechanism		
Installation	DIN-Rail	
Dimensions	110mm x 90mm x 33mm (H x W x D)	
Environment		
Operating Temperature	-25°C ~ +75°C	
Storage Temperature	-30°C ~ +80°C	
Humidity	10 ~ 90% RH, non-condensing	

Applications



Ordering Information

EIP-2060 CR

Isolated 6-ch DI & 6 Relay Output EtherNet/IP Module