



**I-87061W**

**I-87061PW**

16-channel Power Relay Output Module

### Introduction

The I-87061PW is a 16-channel Power Relay Output module where each Relay Output channel is independent. The I-87061W is a 16-channel power relay output module with the output channels partitioned into four groups, where each group provides four channels that share a single COM point. Both the I-87061W and I-87061PW modules include 16 LED indicators that can be used to monitor the status of the relay output, and options for configuring both power-on and safe relay output values are also available. 4 kV ESD protection and 3750 Vdc intra-module isolation are provided as standard to enhance the noise protection capabilities in harsh industrial environments.

### System Specifications

Model	I-87061W	I-87061PW
<b>Communication</b>		
Interface	RS-485	
Format	N, 8, 1	
Baud Rate	1200 to 115200 bps	
Protocol	DCON	
Dual Watchdog	Yes, Module (1.6 Seconds), Communication (Programmable)	
<b>LED Indicators/Display</b>		
System LED Indicators	Yes, 1 as Power/Communication Indicator	
I/O LED Indicators	Yes, 16 as Power Relay Output Indicators	
7-Segment LED Display	-	
<b>Isolation</b>		
Intra-module Isolation, Field-to-Logic	3750 Vdc	
<b>EMS Protection</b>		
ESD (IEC 61000-4-2)	±4 kV Contact for each Terminal	
	±8 kV Air for Random Point	
<b>Power</b>		
Power Consumption	1.9 W Max.	
<b>Mechanical</b>		
Dimensions (L x W x H)	115 mm x 30 mm x 102 mm	114 mm x 30 mm x 100 mm
<b>Environment</b>		
Operating Temperature	-25 to +75°C	
Storage Temperature	-40 to +85°C	
Humidity	10 to 95% RH, Non-condensing	

### Features

- I-87061W
  - 16-channel Power Relay Output partitioned into four groups, where each group provides four channels that share a single COM point.
- I-87061PW
  - The I-87061PW is a 16-channel Power Relay Output module where each Relay Output channel is independent.
- ±4 kV ESD Protection
- 3750 Vdc Intra-module Isolation
- Configurable Power-on Value Settings
- Configurable Safe Value Settings
- Dual Watchdog
- Wide Operating Temperature Range: -25 to +75°C



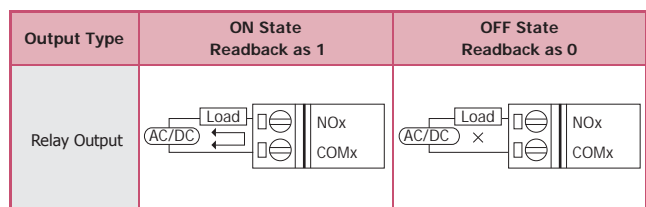
### Applications

- Building Automation
- Factory Automation
- Machine Automation
- Remote Maintenance
- Remote Diagnosis
- Testing Equipment

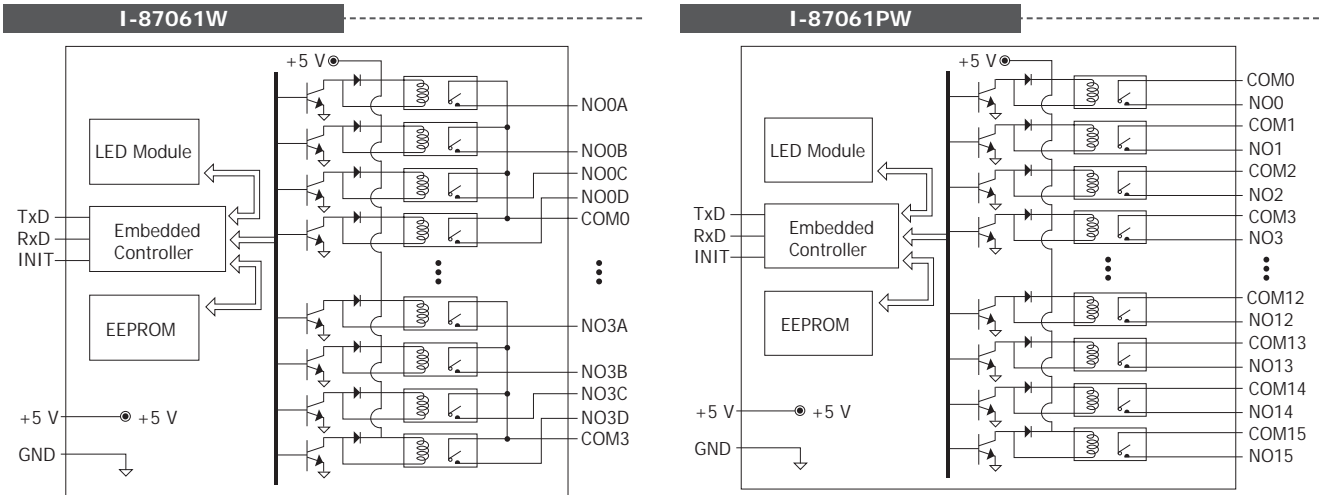
### I/O Specifications

Model	I-87061W	I-87061PW
<b>Relay Output</b>		
Channels	16 (Form A)	
Type	Power Relay	
Wiring	Four groups, each group providing four channels that share a single COM point.	Differential
Form A Relay	Contact Rating	10 A @ 250 Vac/per Module COM point 10 A @ 24 Vdc/per Module COM point Max. Single Relay Load Current 5 A at 25°C
	Min. Contact Load	10 mA @ 5 V
	Contact Material	Silver Tin Alloy
	Operate Time	10 ms
	Release Time	5 ms
	Mechanical Endurance	2 × 10 <sup>7</sup> ops.
Electrical Endurance	1 × 10 <sup>5</sup> ops.	
Power-on Value	Yes	
Safe Value	Yes	

### Wire Connections



Internal I/O Structure



Pin Assignments

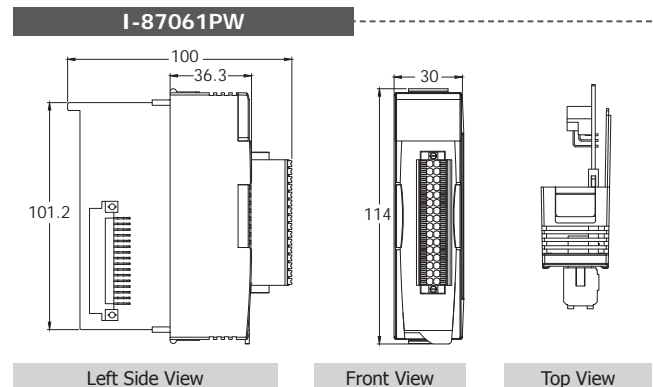
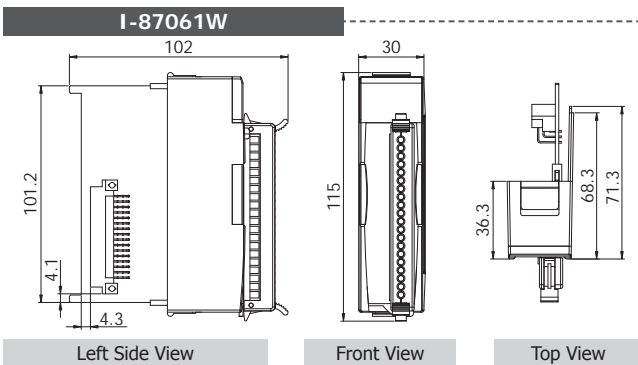
**I-87061W**

Terminal No.	Pin Assignment
01	NO0A
02	NO0B
03	NO0C
04	NO0D
05	COM0
06	NO1A
07	NO1B
08	NO1C
09	NO1D
10	COM1
11	NO2A
12	NO2B
13	NO2C
14	NO2D
15	COM2
16	NO3A
17	NO3B
18	NO3C
19	NO3D
20	COM3

**I-87061PW**

Pin Assignment	Terminal No.	Pin Assignment	
NO0	01	17	COM0
NO1	02	18	COM1
NO2	03	19	COM2
NO3	04	20	COM3
NO4	05	21	COM4
NO5	06	22	COM5
NO6	07	23	COM6
NO7	08	24	COM7
NO8	09	25	COM8
NO9	10	26	COM9
NO10	11	27	COM10
NO11	12	28	COM11
NO12	13	29	COM12
NO13	14	30	COM13
NO14	15	31	COM14
NO15	16	32	COM15

Dimensions (Units: mm)



Ordering Information

<b>I-87061W-G CR</b>	16-channel Power Relay Output Module ( 4 groups, Each group provides 4-channels that share a single COM point ) (Gray Cover) (RoHS)
<b>I-87061PW-G CR</b>	16-channel Power Relay Output Module ( Each Relay Output Channel is Independent )(Gray Cover) (RoHS)

Accessories

**SG-770 CR** 7-channel Differential or 14-channel Single-ended Surge Protector (RoHS)