



Industrial Panel PC

Features

- LCD Size: 10.4", 12.1", 15", 17" with Touch Panel
- E3827 (1.75 GHz) CPU
- WES7 (Windows Embedded Standard 7)
- Support eLogger HMI (free)
- NEMA 4/IP65 Compliant Front Panel
- Ultra-Rugged Construction and Reliable Design
- Operating Temperature : -10 °C ~ +60 °C



Introduction

The iPPC-4701-WES7, iPPC-5701-WES7, iPPC-6701-WES7 and iPPC-7701-WES7 are WES7 based Panel PC that combine computing, I/O, and operator interface into a single unit, and provide the perfect solution for integrating HMI, data acquisition and control in an individual PAC. It is equipped with an Intel Atom E3827 CPU, TFT LCD and a variety of connectives including dual Gigabit Ethernet, USB port, RS-232 and RS-485 interface. The operating system is pre-installed in the built-in mSATA SSD, and the storage can be expanded from a Compact Flash slot. Remote I/O expansion is available to use our Ethernet I/O modules and RS-485 I/O modules. Designed for panel mount installation, the front panel is NEMA 4/IP65 rated and can withstand sprayed water, humidity and extreme dust. Designed to operate over a wide -10°C ~ 60°C ambient temperature range, the fanless design offers the ultimate in reliability with no moving parts.

Since WES7 has the same Win32 API as Windows 7, most popular applications on desktop can run on WES7 based Panel PC.

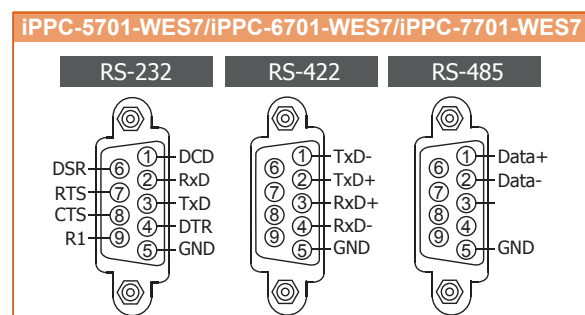
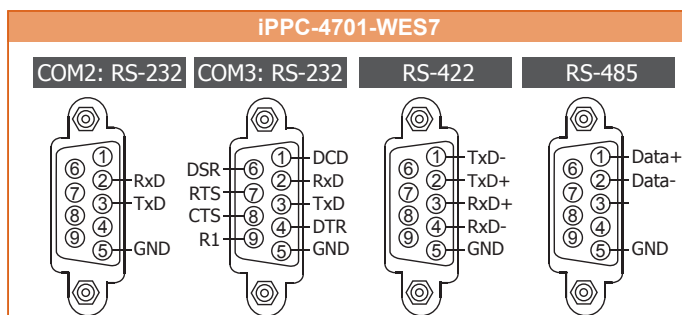
Specifications

Models	iPPC-4701-WES7	iPPC-5701-WES7	iPPC-6701-WES7	iPPC-7701-WES7
LCD				
Diagonal Size	10.4" (4:3)	12.1" (4:3)	15" (4:3)	17" (4:3)
Resolution	800 x 600	800 x 600	1024 x 768	1280 x 1024
Brightness (cd/m2)	400		350	
Contrast Ratio	500 : 1	700 : 1		
LED Backlight Life (hrs)	50,000			
Touch Panel	5-wire, resistive type; light transmission: 80 %			
LED Indicator	2 (Run, PWR)	4 (Run, PWR, L1, L2; L1 and L2 for user programmable)		
System Software				
OS	Microsoft Windows Embedded Standard 7 SP1			
Framework Support	.Net Framework 3.5 SP1, 4.0, 4.5			
Embedded Service	IE11, FTP Server, IIS 7.0, ASP (Java Script, VB Script)			
SDK Provided	DII for Visual Studio.Net			
Multilanguage Support	English, German, French, Spanish, Portuguese, Russian, Italian, Korean, Japanese, Simplified Chinese, Traditional Chinese			

Specifications

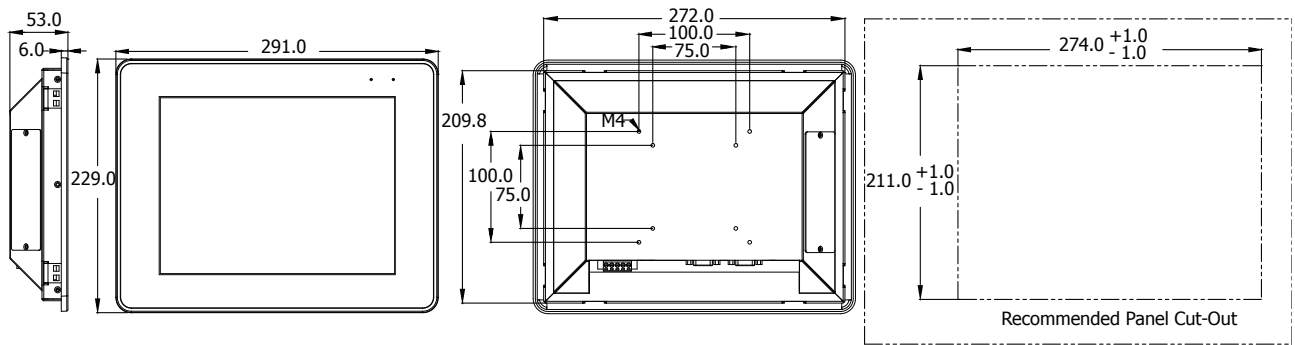
Models	iPPC-4701-WES7	iPPC-5701-WES7	iPPC-6701-WES7	iPPC-7701-WES7
CPU Module				
CPU	E3827 (1.75 GHz, 64-bit dual core)			
SDRAM (DDR3)	2 GB			
MRAM	128 KB			
Flash (SSD)	mSATA slot with one 32 GB SSD			
EEPROM	16 KB			
Memory Expansion	CF slot with a 8 GB CF card (support up to 32 GB)			
RTC (Real Time Clock)	Provide second, minute, hour, date, day of week, month, year			
64-bit Hardware Serial Number	Yes, for software copy protection			
Dual Watchdog Timers	Yes (0.8 second)			
Rotary Switch	Yes (0 ~ 9)			
Communication Ports				
Ethernet	1 x RJ-45 10/100/1000 Base-TX	2 x RJ-45 10/100/1000 Base-TX		
USB 2.0	2			4
COM 2	RS-232/RS-422/RS-485			
COM 3	RS-232/RS-422/RS-485			
Audio	Earphone-out	Mic-in and Earphone-out		
Mechanical				
Dimensions (W x H x D, unit: mm)	291 x 229 x 53	323 x 254 x 63	381 x 305 x 63	413x 359 x 69
Panel Cut-Out (W x H, unit: mm)	274 x 211, ± 1	308 x 239, ± 1	364 x 288, ± 1	394 x 340, ± 1
Installation	Panel Mounting, VESA Mounting (75 x 75, 100 x 100)			
Weight	?? kg	?? kg	?? kg	3.8 kg
Ingress Protection	Front panel: NEMA 4/IP65			
Environmental				
Operating Temperature	-10 °C ~ +60 °C			
Storage Temperature	-20 °C ~ +70 °C			
Ambient Relative Humidity	10 % ~ 90 % RH (non-condensing)			
Power				
Input Range	+10 VDC ~ +30 VDC			
Isolation	1500 Vdc min			
Consumption	22 W	27 W	?? W	?? W

Pin Assignments

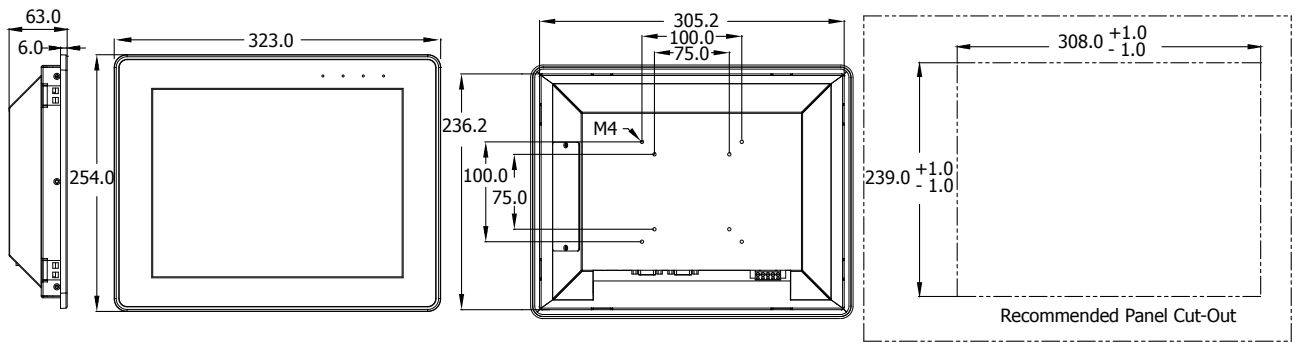


■ Dimensions

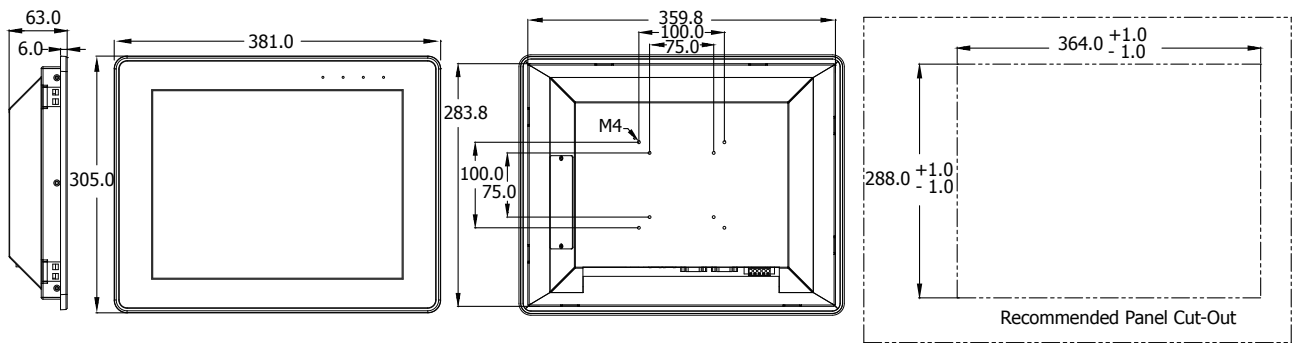
iPPC-4701-WES7



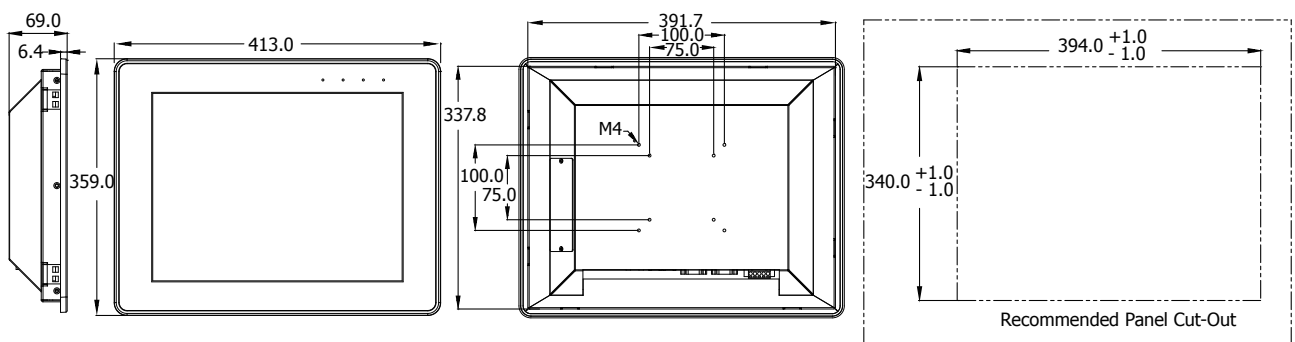
iPPC-5701-WES7



iPPC-6701-WES7

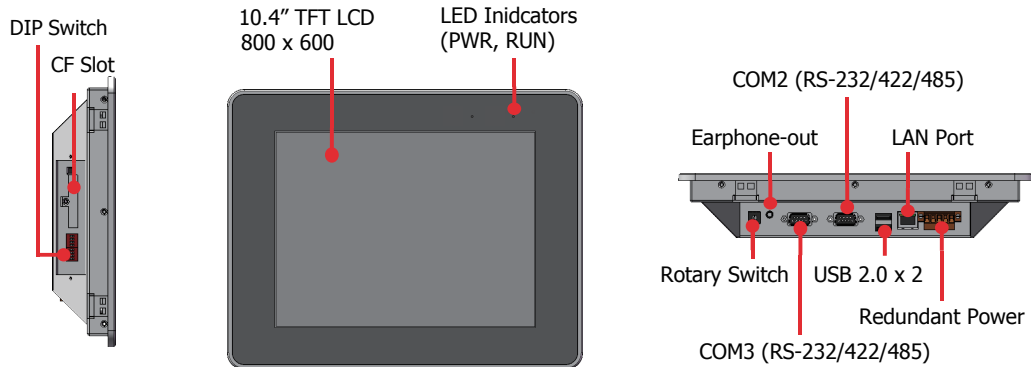


iPPC-7701-WES7

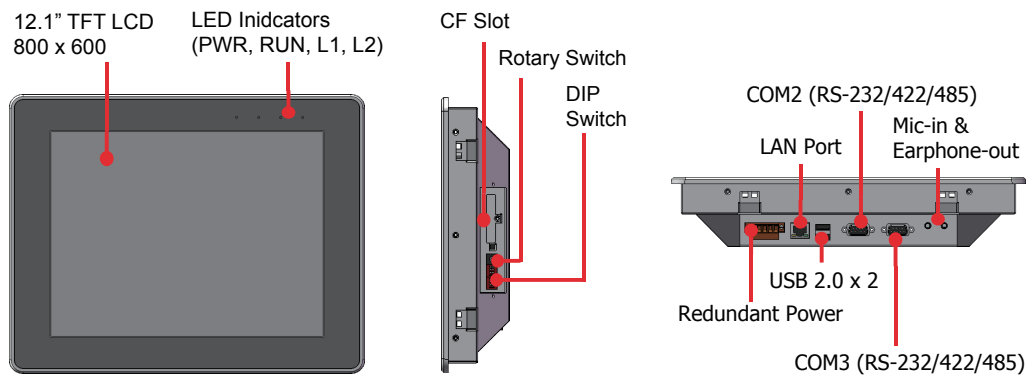


Appearances

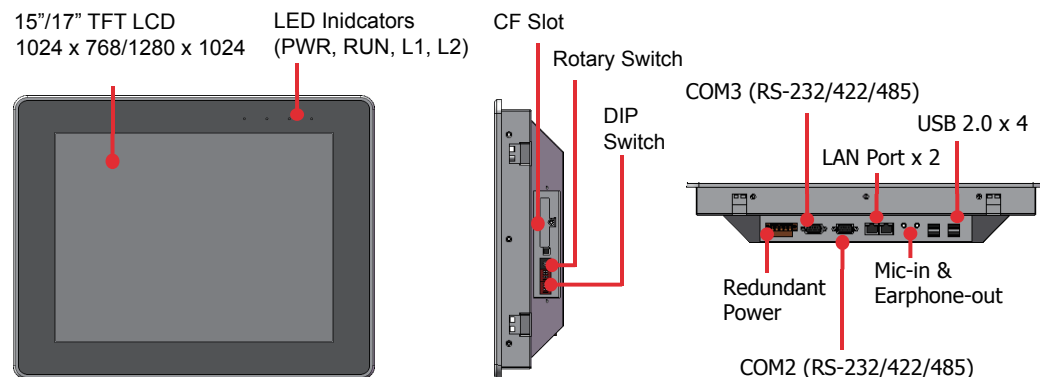
iPPC-4701-WES7



iPPC-5701-WES7



iPPC-6701-WES7/iPPC-7701-WES7



Ordering Information

iPPC-4701-WES7	10.4" Panel PC with Atom E3827 CPU and WES7 OS
iPPC-5701-WES7	12.1" Panel PC with Atom E3827 CPU and WES7 OS
iPPC-6701-WES7	15" Panel PC with Atom E3827 CPU and WES7 OS
iPPC-7701-WES7	17" Panel PC with Atom E3827 CPU and WES7 OS

Accessories

DP-660	24 V _{DC} /2.5 A, 60 W and 5 V _{DC} /0.5 A, 2.5 W Power Supply with DIN-Rail Mounting
MDR-60-24 CR	24 V _{DC} /2.5 A, 60 W Power Supply with DIN-Rail Mounting (RoHS)