

ISO-DA8/DA16

14-bit 8/16-channel isolated analog output board



Features

- 2500VDC photo-isolation protection
- 8/16-channel, 14-bit analog output
- Unipolar or bipolar outputs available from each converter
- Voltage/Current output from each converter
- Output type and output range can be software programmable
- 4~20 mA or 0~20 mA current sink to ground from each converter
- Double-buffered D/A latches
- Command set programming
- Software Calibration
- 16-channel DI, 16-channel DO

Functional Description

The ISO-DA8/16 is a bus isolated 14-bit D/A card for PC/AT compatible computers. The optical isolation of the ISO-DA8/16 can operate with up to 2500Vrms of common-mode. The ISO-DA8/16 offers 8/16 channel double-buffered analog outputs. The output range can be configured in different ranges: $\pm 10V$, $\pm 5V$, 0~10V, 0~5V voltage output or 4 to 20 mA or 0 to 20 mA sink current.

The innovative design improve several drawbacks of the conventional isolated D/A card. For example :

1. Jumperless and trimless
2. The power-on value of analog output can be pre-defined by the user and stored in the on-board EEPROM
3. The calibration is performed under software control, thus eliminating manual trim-pot adjustments. The calibration data is stored in EEPROM. Easy recalibration ensures the accuracy of the board
4. Every channel can be selected as voltage or current output
5. High channel count output can be implemented in half size.

Applications

- Programmable voltage source
- Programmable current sink
- Harsh environment operation
- Process control

Specifications

Analog Output

- D/A converter: Quad 14-bit MDAC
- Channels: 8/16 independent
- Resolution: 14-bit
- Type: double-buffered, multiplying
- Integral linearity: 0.006% FSR (typical)
- Differential linearity: 0.006 % FSR (typical)

Voltage Output Range

- Unipolar: 0~5V or 0~10V
- Bipolar: $\pm 10V$ or $\pm 5V$
- Current drive: ± 5 mA
- Absolute accuracy: 0.01% FSR (typical)
- Power on state: programmable

Current Output Range

- 0~20 mA or 4~20 mA
- Absolute Accuracy: 0.1% FSR (typical)
- Excitation voltage range: + 7V ~ +40V
- Power on state: programmable

Digital I/O

- 16 TTL-level input
- Input low $V_{IL} = 0.8V$ max; $I_{IL} = -0.4$ mA max
- Input high $V_{IH} = 2.0V$ min; $I_{IH} = 20 \mu A$ max
- 16 TTL-level output
- Output low $V_{OL} = 0.5V$ max; $@I_{OL} = 8$ mA max
- Output high $V_{OH} = 2.7V$ min; $@I_{OH} = 0.4$ mA max

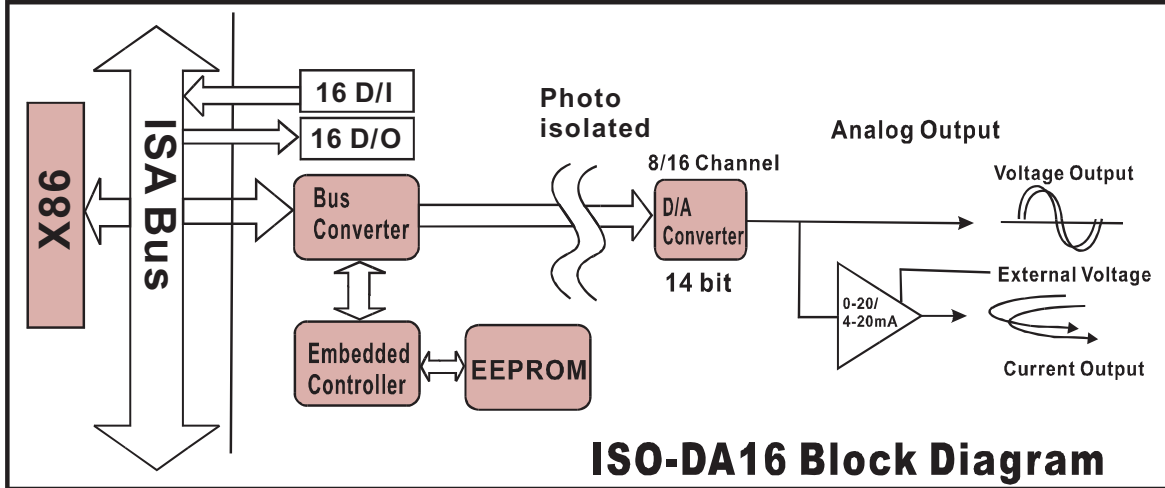
Stability

- Offset temperature coefficient: $\pm 50 \mu V/^{\circ}C$
- Gain temperature coefficient: ± 10 ppm/ $^{\circ}C$

ISA Analog Output Board

ISO-DA8/DA16

14-bit 8/16-channel isolated analog output board



General Specifications

- I/O connector:
 - one 37-pin D-Sub female
 - two 20-pin ribbon male
- Power requirements:
 - ISO-DA8: +5VDC @ 800 mA max
 - ISO-DA16: +5VDC @ 1400 mA max
- Operating temperature: 0 ~ 60°C
- Operating humidity: 0 ~ 90% non-condensing
- Storage temperature: -20 ~ 70°C
- Dimensions: 182 mm x 122 mm

Pin Assignment

CN1				CN2							
DI 0	1	○	○	2	DI 1	DO 0	1	○	○	2	DO 1
DI 2	3	○	○	4	DI 3	DO 2	3	○	○	4	DO 3
DI 4	5	○	○	6	DI 5	DO 4	5	○	○	6	DO 5
DI 6	7	○	○	8	DI 7	DO 6	7	○	○	8	DO 7
DI 8	9	○	○	10	DI 9	DO 8	9	○	○	10	DO 9
DI 10	11	○	○	12	DI 11	DO 10	11	○	○	12	DO 11
DI 12	13	○	○	14	DI 13	DO 12	13	○	○	14	DO 13
DI 14	15	○	○	16	DI 15	DO 14	15	○	○	16	DO 15
GND	17	○	○	18	GND	GND	17	○	○	18	GND
+5V	19	○	○	20	+12V	+5V	19	○	○	20	+12V

CN3

IO_15	37	○	19	VO_15
IO_14	36	○	18	VO_14
IO_13	35	○	17	VO_13
IO_12	34	○	16	VO_12
IO_11	33	○	15	A.GND
IO_10	32	○	14	VO_11
IO_9	31	○	13	VO_10
IO_8	30	○	12	VO_9
A.GND	29	○	11	VO_8
IO_7	28	○	10	A.GND
IO_6	27	○	09	VO_7
IO_5	26	○	08	VO_6
IO_4	25	○	07	VO_5
A.GND	24	○	06	VO_4
IO_3	23	○	05	A.GND
IO_2	22	○	04	VO_3
IO_1	21	○	03	VO_2
IO_0	20	○	02	VO_1
		○	01	VO_0

Ordering Information

Standard

- ISO-DA8:** 8-channel 14-bit isolated analog output board
- ISO-DA8/S:** ISO-DA8 with DN-37
- SO-DA16:** 16-channel 14-bit isolated analog output board
- ISO-DA16/S:** ISO-DA16 with DN-37

Optional

- DN-37:** DIN-rail mounting terminal board
- DB-37:** Directly connection terminal board
- DB-16P:** 16-channel OPTO-Isolated digital input board
- DB-16R:** 16-channel relay output board
- DN-20:** DIN-rail mounting terminal board
- ADP-20/PCI:** 20-pin extender