

PDS-811

PDS-821

Programmable Device Server with I/O Expansion Slot(s)



PDS-811

PDS-821



Features

- Incorporate Serial Devices in an Ethernet network
- Virtual COM for 32-bit and 64-bit Windows XP/2003/Vista/7
- Watchdog Timer suitable for use in harsh environments
- 2-port 10/100 Base-TX Ethernet Switch (Auto-negotiating, auto MDI/MDI-X, LED indicator)
- ESD Protection and Frame Ground Design
- Built-in High Performance MiniOS7 from ICP DAS
- Made from fire-retardant materials (UL94-V0 Level)
- "Virtual COM" extends PC COM ports
- Programmable Internet/Ethernet Controller
- Power Reverse Polarity Protection
- 3-wire RS-232 Console Port
- RS-232 TxD/RxD LED Indicators
- System Status LED Indicator
- RoHS Compliant & no Halogen
- Low power consumption

Introduction

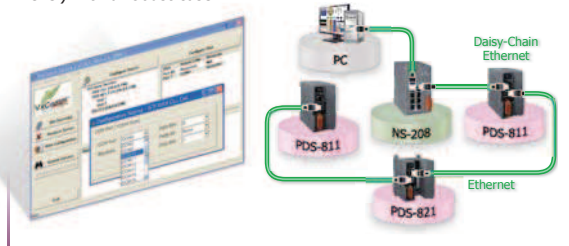
The PDS-811 and PDS-821 programmable device servers (PDS) are compact, modular, intelligent, rugged, and are designed for networking RS-232 and RS-422/485 serial devices to an Ethernet network. The PDS-811 has one I/O expansion slot, while PDS-821 has two I/O expansion slots that can be used to attach various 2- or 4-port serial communication modules. Therefore, a maximum of 4 serial ports can be installed on the PDS-811 or a maximum of 8 serial ports can be installed on the PDS-821.



Note: There is no serial module built-in to the PDS-811 or PDS-821 by default.

The PDS-811 and PDS-821 controllers are equipped with a 2-port 10/100 Base-TX Ethernet Switch that can be used to connect two network segments. The Ethernet Switch processes and routes data on the data-link layer (layer 2) of the OSI model to create a different collision domain per switch port. Using a switch allows you to attain dedicated bandwidth on point-to-point connections with every computer, and therefore run in full duplex mode with no collisions. Furthermore, the built-in 2-port Ethernet Switch on the PDS-811/821 enables network wiring to be simplified by cascading your Ethernet devices.

The PDS-8x1 series contains a built-in operating system, the MiniOS7, which offers a stable and high performance environment that is similar to DOS. The MiniOS7 can boot up the PDS-8x1 series within just one second, with the added benefit of no virus problems and a small footprint. Furthermore, the PDS-8x1 series is designed for low power consumption, maintenance elimination (no hard disk and no fan), and is constructed from fire-retardant materials (UL94-V0 level) with a robust case.



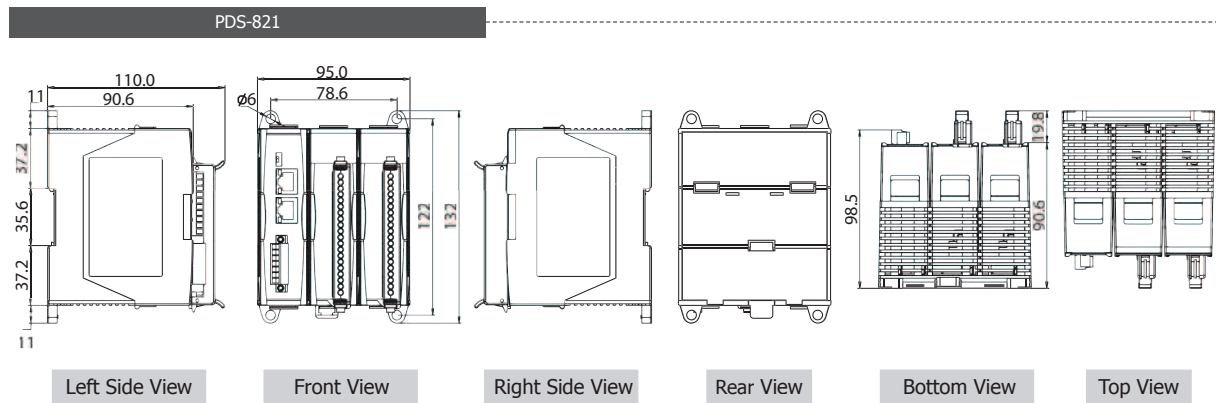
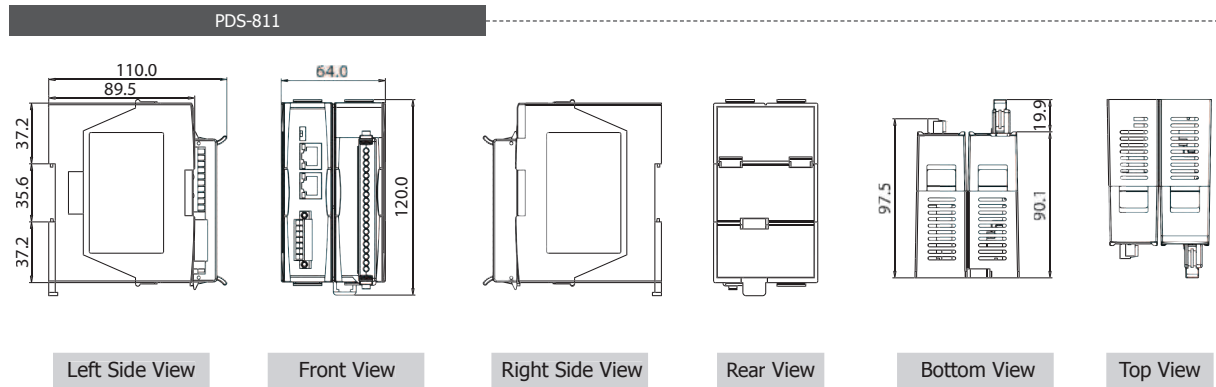
Applications

- Factory, Building and Home Automation

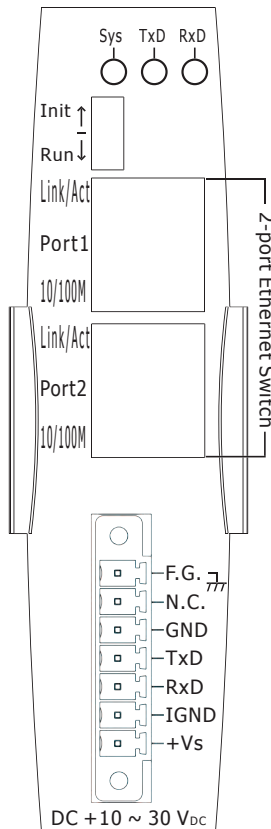
System Specifications

Models	PDS-811	PDS-821
CPU		
CPU	80186, 80 MHz or compatible	
SRAM	512 KB	
Flash Memory	512 KB	
EEPROM	16 KB	
NVRAM	-	
RTC (Real Time Clock)	-	
64-bit Hardware Serial Number	-	
Built-in Watchdog Timer	Yes	
I/O Expansion Slots	1 Slot	2 Slots
Communication Interface		
COM1 (Console)	RS-232 (TxD, RxD, GND)	
Ethernet	2-port 10/100 Base-TX Ethernet Switch (Auto-negotiating, auto MDI/MDI-X, LED indicator)	
COM Port Formats		
Speed	115200 bps max.	
Data Bit	7, 8	
Parity	None, Even, Odd	
Stop Bit	1	
LED Indicators		
TxD/RxD	Yes (for COM1 console port)	
System	Yes	
Power		
ESD Protection	Yes (with Frame Ground)	
Protection	Power Reverse Polarity Protection	
Required Supply Voltage	+10 Vdc ~ +30 Vdc (non-regulated)	
Power Consumption	0.6 A @ 5 V for CPU and Backplane, 1.0 A @ 5 V for Plug-in Modules, Total: 8 W	
Mechanical		
Flammability	Fire-Retardant Materials (UL94-V0 Level)	
Dimensions (W x L x H)	64 mm x 110 mm x 120 mm	95 mm x 110 mm x 132 mm
Installation	DIN-Rail mounting	DIN-Rail or Wall mounting
Environment		
Operating Temperature	-25 °C ~ +75 °C	
Storage Temperature	-40 °C ~ +80 °C	
Humidity	5 ~ 95% RH, non-condensing	

Dimensions (Unit: mm)



Pin Assignments



Ordering Information

PDS-811 CR	Programmable Device Server with 1 Expansion Slot (RoHS). Includes One CA-0910 Cable.
PDS-821 CR	Programmable Device Server with 2 Expansion Slots (RoHS). Includes One CA-0910 Cable.

Accessories

CA-0910	9-Pin Female D-Sub & 3-wire RS-232 Cable, 1 m Cable
MDR-20-24	24 Vdc/1 A, 24 W Power Supply with DIN-Rail Mounting
NS-205 CR	Unmanaged 5-port Industrial Ethernet Switch (RoHS)