

## XV110

16-channel Isolated Digital Input Module with 16-bit Counters

### Introduction

The XV110 provides 16 channels for digital input, catering for both dry and wet contact, with an effective distance for dry contact of up to 500 meters. All channels feature photocouple isolation, and can be used as 16-bit counters. In addition, either sink- or source-type digital input can be selected via wire connections. 4 kV ESD protection and 3750 VDC intra-module isolation are also provided to enhance noise immunity capabilities in industrial environments.

### Features

- 16-channel Digital Inputs
- Dry and Wet Contact, Selectable via Wire Connections
- Photocouple Isolation
- Long Distance Measurement
- 4 KV ESD Protection
- All Channels can be used as 16-bit Counters
- 3750 Vdc Intra-module Isolation
- Dual Watchdog
- Wide Operating Temperature Range: -25 ~ + 75°C



### Applications

- Industrial Automation
- Building Automation
- Food and Beverage Systems
- Control Systems

### System Specifications

Communication	
Interface	RS-232/TTL
Format	N, 8, 1
Baud Rate	115200 bps
Protocol	Modbus/RTU
Dual Watchdog	Yes, Module (2.3 seconds), Communication (Programmable)
Isolation	
Intra-module Isolation, Field-to-Logic	3750 Vdc
EMS Protection	
ESD (IEC 61000-4-2)	+/-4kV Contact For Each Terminal
	+/-8kV Air For Random Terminal
Power	
Reverse Polarity Protection	-
Powered from Terminal Block	5 Vdc
Consumption	0.25 W Max.
Mechanical	
Dimensions (W x L x H)	59 mm x 82 mm x 13 mm
Environment	
Operating Temperature	-25 ~ +75°C
Storage Temperature	-30 ~ +75°C
Humidity	10 ~ 95% RH, Non-condensing

### I/O Specifications

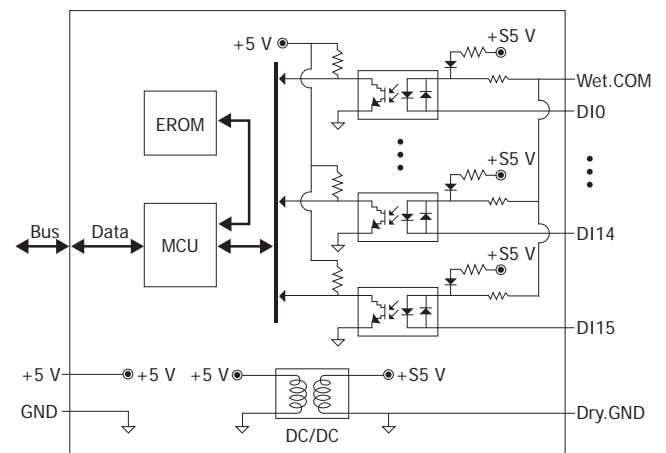
Digital Input/Counter		
Input Channels		16
Type	Dry Contact	Source
	Wet Contact	Sink/Source
On Voltage Level	Dry Contact	Close to GND
	Wet Contact	+3.5 ~ +50 Vdc
Off Voltage Level	Dry Contact	Open
	Wet Contact	+1 Vdc Max.
Input Impedance		10 KΩ, 0.5 W
Counters	Channels	16
	Max. Count	16-bit (65535)
	Max. Input Frequency	100 Hz
	Min. Pulse Width	5 ms
Overvoltage Protection		70 Vdc
Effective Distance for Dry Contact		500 m Max.

Pin Assignments

Dry.GND	DI15	DI14	DI13	DI12	DI11	DI10	DI9	DI8	DI7	DI6	DI5	DI4	DI3	DI2	DI1	DI0
Wet.COM																

XV110

Internal I/O Structure



Wire Connections

Digital Input/Counter	Readback as 1	Readback as 0
	+3.5 ~ +50 Vdc	+1 Vdc Max.
Wet Contant (Sink)		
Wet Contant (Source)		
Dry Contant	Closed to Dry.GND	Open

Ordering Information

<b>XV110 CR</b>	16-channel Isolated Dry and Wet Contact Digital Input Module With 16-bit Counters (RoHS)
-----------------	--