



## I-8026W

6-channel Analog Input, 2-channel Analog Output, 2-channel Digital Input and 2-channel Digital Output Module

### Introduction

The I-8026W is a multifunction module that includes 6 analog input channels, 2 analog output channels, 2 digital input channels, 2 digital output channels. It provides a programmable input range on all analog input ( $\pm 10\text{ V}$ ,  $\pm 5\text{ V}$   $\pm 2.5$ ,  $\pm 1.25$ ,  $\pm 20\text{ mA}$  (Jumper Select) ), analog outputs are 12 bit at  $\pm 10\text{ V}$ ,  $\pm 5\text{ V}$ ,  $0 \sim 10\text{ V}$ ,  $0 \sim 5\text{ V}$ ,  $0 \sim 20\text{ mA}$ . Each analog input can be configured for an individual range and provides a high overvoltage protection of 240 Vrms. Voltage and current inputs/outputs are jumper selectable.

### System Specifications

Model	I-8026W
<b>LED Indicators/Display</b>	
System LED Indicator	1 LED as Power/Communication Indicator
I/O LED Indicator	4 LEDs as Digital Input & Digital Output Indicators
<b>Isolation</b>	
Intra-module Isolation, Field-to-Logic	2500 Vdc
<b>EMS Protection</b>	
ESD (IEC 61000-4-2)	$\pm 4\text{ kV}$ Contact for Each Terminal
	$\pm 8\text{ kV}$ Air for Random Point
<b>Power</b>	
Power Consumption	1.8 W Max.
<b>Mechanical</b>	
Dimensions (W x L x H)	30 mm x 102 mm x 115 mm
<b>Environment</b>	
Operating Temperature	$-25 \sim +75^\circ\text{C}$
Storage Temperature	$-30 \sim +80^\circ\text{C}$
Humidity	5 ~ 95% RH, Non-condensing

### Features

- Multifunction (6AI, 2AO, 2DI and 2DO)
- Overload and Short Circuit Protection for Digital Output
- Individual Channel Configuration
- Jumper Selectable Voltage or Current Input/Output
- $\pm 4\text{ kV}$  Contact ESD Protection
- Wide Operating Temperature Range:  $-25^\circ\text{C} \sim +75^\circ\text{C}$



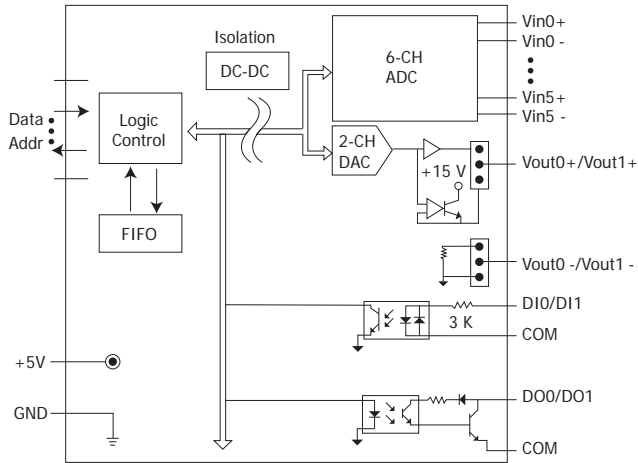
### Applications

- Industrial Automation
- Industrial Machinery
- Building Automation
- Food and Beverage Systems
- Semiconductor Fabrication
- Control Systems

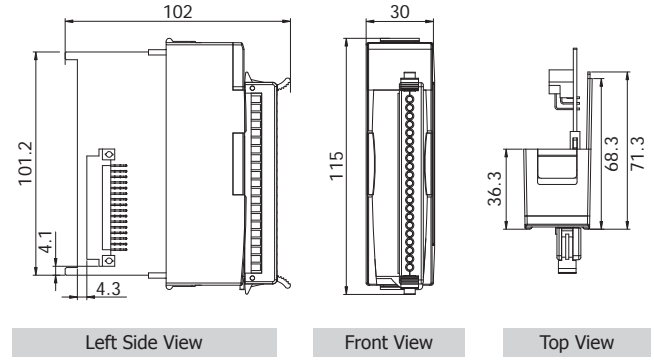
### I/O Specifications

Model	I-8026W
<b>Analog Input</b>	
Channels	6
Type	$\pm 10\text{ V}$ , $\pm 5\text{ V}$ $\pm 2.5$ , $\pm 1.25$ , $\pm 20\text{ mA}$ (Jumper Select)
Resolution	12-bit
Accuracy	0.2% of FSR +/- 1LSB
Overvoltage Protection	240 Vrms
Input Impedance	$> 2\text{M}\ \Omega$
Sampling Rate	Max to 9k Samples/sec
Individual Channel Configuration	Yes
<b>Analog Output</b>	
Channels	2
Type	$\pm 10\text{ V}$ , $\pm 5\text{ V}$ , $0 \sim 10\text{ V}$ , $0 \sim 5\text{ V}$ , $0 \sim 20\text{ mA}$ (Jumper Select)
Resolution	12-bit
Accuracy	$\pm 0.2\%$ of FSR
Voltage Output Capability	10 V @ 20 mA
Individual Channel Configuration	Yes
<b>Digital Input</b>	
Channels	2
Type	Wet contact (Sink, Source)
On Voltage Level	$+10\text{ Vdc} \sim 30\text{ Vdc}$
Off Voltage Level	$+4\text{ Vdc}$ Max.
<b>Digital Output</b>	
Channels	2
Type	Isolated Open Collector (Sink)
Max. Load Current	100 mA/channel
Load Voltage	$+5\text{ Vdc} \sim +30\text{ Vdc}$

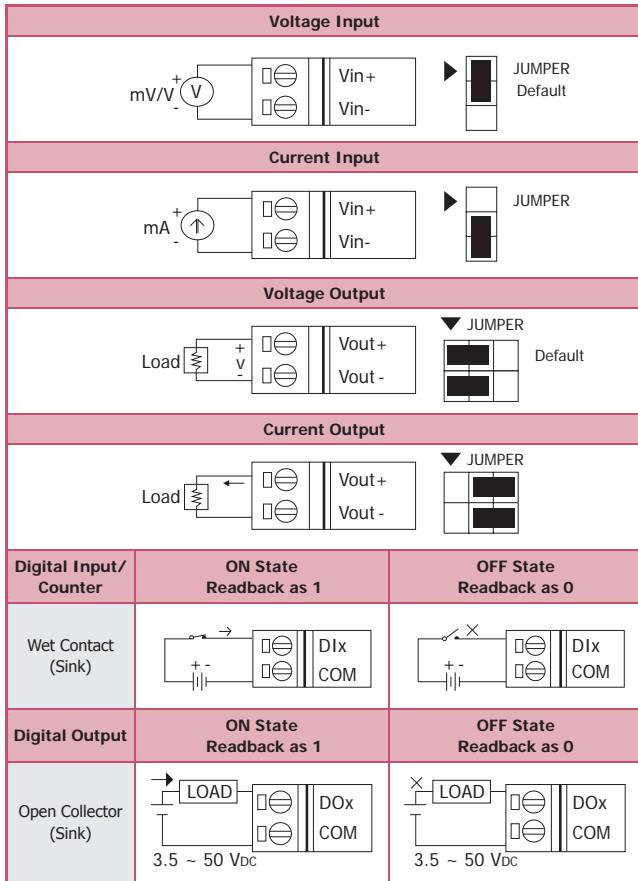
### Internal I/O Structure



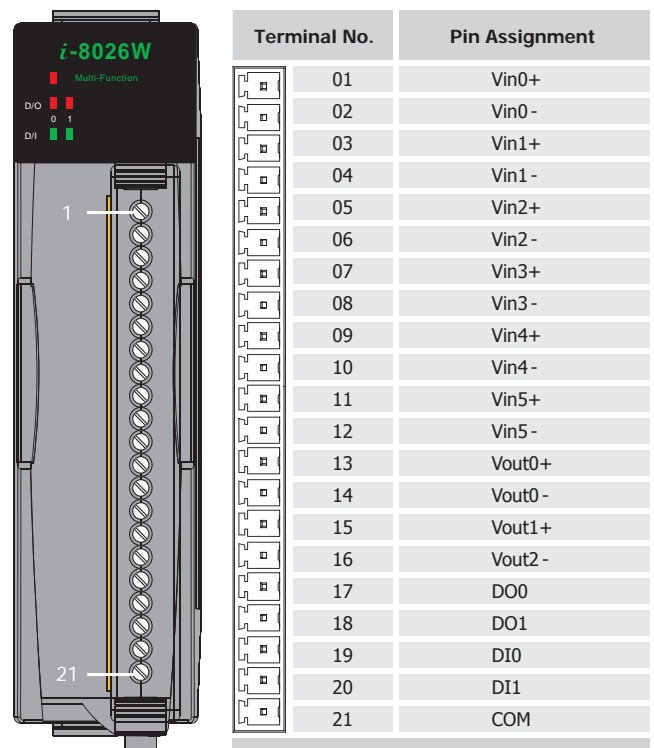
### Dimensions (Units: mm)



### Wire Connections



### Pin Assignments



### Ordering Information

<b>I-8026W CR</b>	6-channel Analog Input, 2-channel Analog Output, 2-channel Digital Input and 2-channel Digital Output Module (RoHS)
-------------------	---