



M-7003

8-channel AI and 4-channels Relay Output Module

Features

- Voltage and Current Inputs
- 120 Vdc Overvoltage Protection
- High Resolution: 16 bit
- 2500 Vdc Intra-module Isolation
- Photocouple Isolation
- Support Relay Outputs
- DIN-Rail Mountable
- Dual Watchdog
- Wide Operating Temperature Range: -25 to +75°C



Introduction

The M-7003 is a 16-bit, 8-channel analog inputs and 4-channel for relay output. All of its channels are Form A type relay module that provides programmable input range on all analog channels (± 150 mV, ± 500 mV, ± 1 V, ± 5 V, ± 10 V, ± 20 mA, 0 ~ 20 mA and 4 ~ 20 mA). Each analog channel is allowed to configure an individual range and has 120 Vdc high overvoltage protection. Jumper selectable for voltage or current input. The sampling rate of M-7003 is changeable; there are fast mode and normal mode for your consideration. M-7003 also has qualification for 4 kV ESD protection as well as 2500 Vdc intra-module isolation.

Applications

- Building Automation
- Machine Automation
- Remote Diagnosis
- Factory Automation
- Remote Maintenance
- Testing Equipment

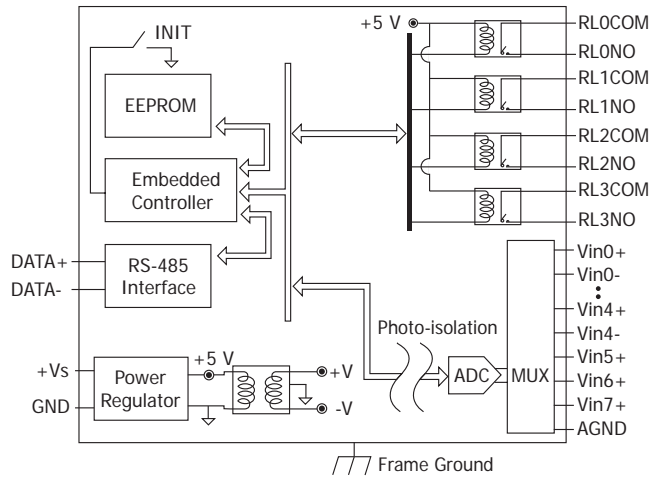
System Specifications

Model	M-7003
Communication	
Interface	RS-485
Bias Resistor	No (Usually supplied by the RS-485 Master. Alternatively, add a tM-SG4 or SG-785.)
Format	N, 8, 1
Baud Rate	1200 to 115200 bps
Protocol	DCON Modbus/RTU
Dual Watchdog	Yes, Module (1.6 Seconds), Communication (Programmable)
LED Indicators/Display	
System LED Indicator	Yes, 1 as Power/Communication Indicator
I/O LED Indicators	-
7-segment LED Display	Yes
Isolation	
Intra-module Isolation, Field-to-Logic	2500 Vdc
EMS Protection	
ESD (IEC 61000-4-2)	± 4 kV Contact for each Terminal
EFT (IEC 61000-4-4)	± 4 kV for Power Line
Surge (IEC 61000-4-5)	± 3 kV for Power Line
Power	
Reverse Polarity Protection	Yes
Input Range	+10 ~ +30 Vdc
Consumption	1.8 W
Mechanical	
Dimensions (L x W x H)	123 mm x 72 mm x 35 mm
Installation	DIN-Rail or Wall Mounting
Environment	
Operating Temperature	-25 to +75°C
Storage Temperature	-40 to +85°C
Humidity	10 to 95% RH, Non-condensing

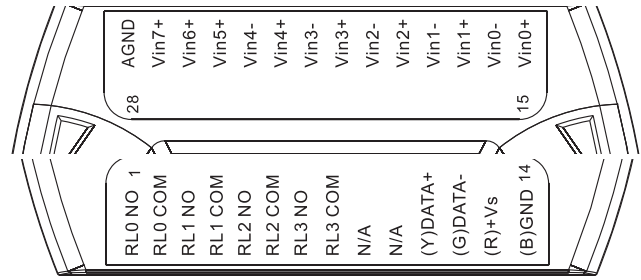
I/O Specifications

Model	M-7003	
Analog Input		
Channels	8	
Wiring	5-channel differential and 3-channel single-ended	
Input Range	± 150 mV, ± 500 mV, ± 1 V, ± 5 V, ± 10 V ± 20 mA, 0~20 mA, 4~20 mA (Jumper selectable)	
Resolution	12/16-bit	
Accuracy	Normal Mode	0.1%
	Fast Mode	0.5%
Sampling Rate	Normal Mode	10 Hz
	Fast Mode	60 Hz
Input Impedance	Voltage	20 M (Differential)
	Current	10 M (Single-ended)
Common Voltage Protection	± 15 Vdc	
Individual Channel Configuration	-	
Overvoltage Protection	120 Vdc	
Relay Output		
Channels	4	
Type	Power Relay (Form A)	
Contact Rating	5 A @ 250 VAC 5 A @ 30 Vdc	
Surge Strength	3000 Vdc	
Operate Time	3 ms	
Release Time	2 ms	
Mechanical Endurance	2×10^7 ops.	
Electrical Endurance	10^9 ops.	
Power-on Value	Yes	
Safe Value	Yes	

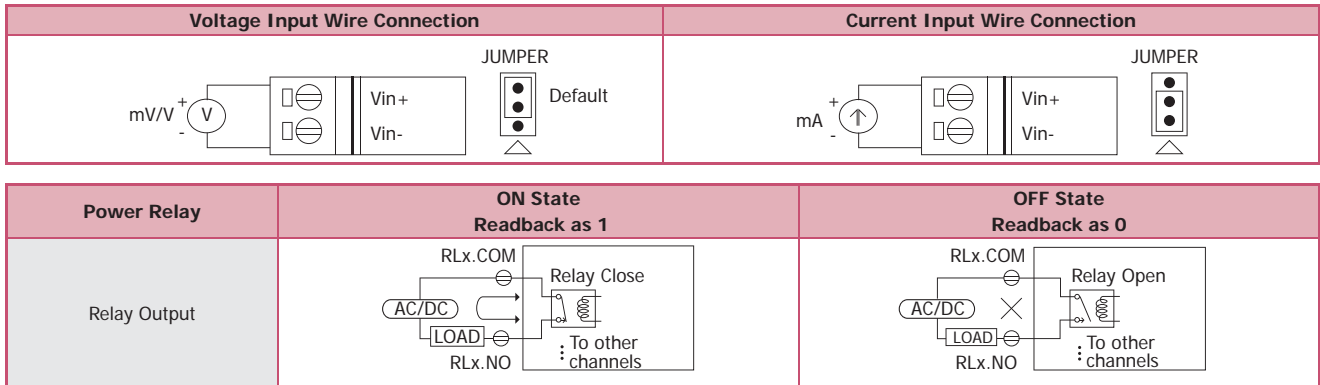
Internal I/O Structure



Pin Assignments



Wire Connections



Ordering Information

M-7003 CR	8-channel AI and 4-channel Relay Output Module using the DCON and Modbus Protocol (Gray Cover) (RoHS)
-----------	---

Accessories

	tM-7520U CR	RS-232 to RS-485 Converter (RoHS)
	tM-7561 CR	USB to RS-485 Converter (RoHS)
	tM-SG4 CR	RS-485 Bias and Termination Resistor Module (RoHS)
	I-7514U CR	4-channel RS-485 Hub (RoHS)
	SG-770 CR	7-channel Differential or 14-channel Single-ended Surge Protector (RoHS)
	SG-3000 Series	Signal Conditioning Modules for Thermocouple, RTD, DC Voltage, DC Current and Power Input Transformers

2
3

RS-485 Remote I/O Modules

M-7003