



Features ▶▶▶

- Provides 16 10/100/1000 Mbps Ethernet ports
- Each port supports both 10/100/1000 Mbps speed auto negotiation
- Supports 4 kV Ethernet ESD protection and 1 kV EFT protection
- Supports operating temperatures from -40 °C ~ +75 °C
- DIN-Rail Mounting, Wall Mounting
- Automatic MDI/MDI-X crossover for plug-and-play
- Store-and-forward architecture
- Full duplex IEEE 802.3x and half duplex backpressure flow control
- Supports Dual +12 V_{DC} ~ +48 V_{DC} power input and 1 relay output
- DIP switch alarm setting for Port's break

Introduction

The NSM-316G has 16 Ethernet ports that support 10/100/1000 Base-TX, with a 10/100/1000M auto negotiation feature and auto MDI/MDI-X function. It can connect 16 workstations and automatically switches the transmission speed (10 Mbps or 100 or 1000 Mbps) for corresponding connections.

All Ethernet ports have memory buffers that support the store-and-forward mechanism, which assures that data can be transmitted properly. The NSM-316G supports advanced network standards to optimize network performance, reduce maintenance costs, and secure network safety.

The flow control mechanism is also negotiated. There is link/Act LEDs for each port to aid troubleshooting. Port connectors are shielded RJ-45. DIP switch setting alarm for for each port loss link or break.

Specifications

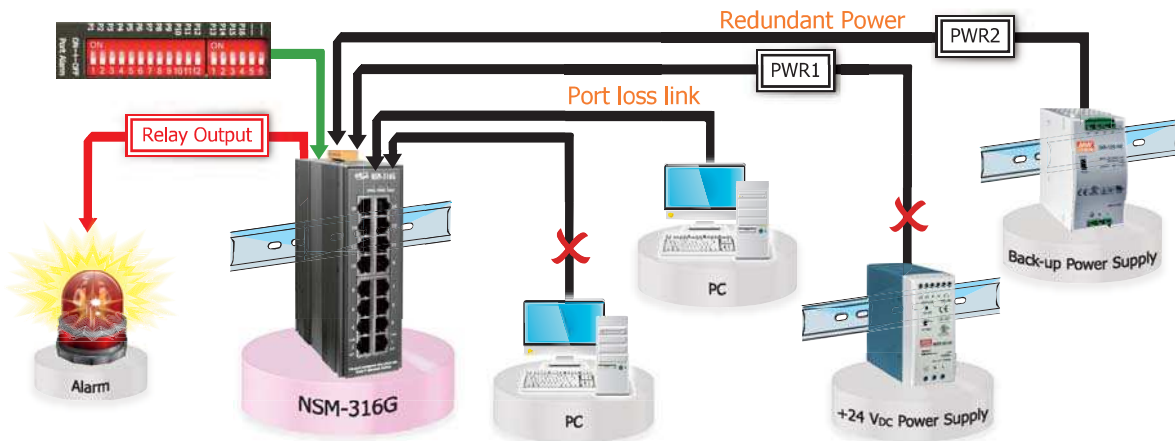
Technology	
Standards	IEEE802.3, 802.3u, 802.3x, 802.3az
Processing Type	Store & forward, wire speed switching
MAC Addresses	8K
Packet Buffer Memory	512 KByte
Jumbo Frame	9216 Byte
Flow Control	IEEE 802.3x flow control, back pressure flow control

Interface	
RJ-45 Ports	10/100/1000 Base-TX auto negotiation speed, F/H duplex mode, and auto MDI/MDI-X connection
LED Indicators	PWR1, PWR2, Power fail, Link, Act
Ethernet Isolation	1500 V _{rms} 1 minute
Power	
Redundant Input Range	+12 V _{dc} ~ +48 V _{dc} (Non-isolated)
Power Consumption	0.39 A @ 24 V _{dc}
Alarm Contact	One relay output with current carrying capacity of 1A @ 30 V _{dc}
Protection	Power reverse polarity protection
Connector	6-Pin Removable Terminal Block (Power & Relay)
Mechanical	
Casing	Metal (IP30 Protection)
Dimensions (W x L x H)	51 mm x 164 mm x 128 mm
Installation	DIN-Rail Mounting or Wall Mounting
Environmental	
Operating Temperature	-40 °C ~ +75 °C
Storage Temperature	-40 °C ~ +85 °C
Ambient Relative Humidity	10 ~ 90% RH, non-condensing

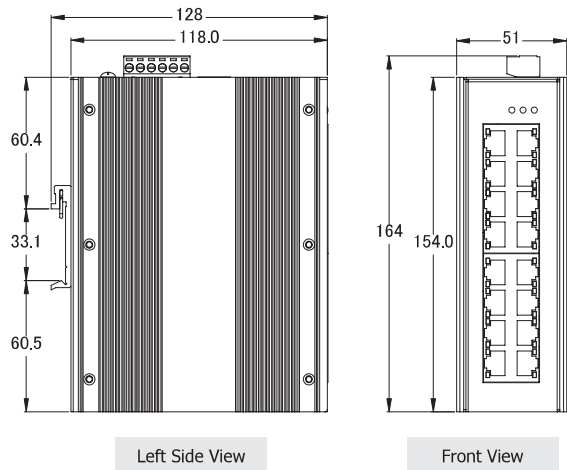
Redundant Power Input & Port Alarm Setting

Both power inputs can be connected simultaneously to live DC power sources. If one power source fails, the other live source will act as a backup, and automatically supplies all of NSM-316G series power needs. If the port's DIP switch have been set, when it loss link or break connection, it will output alarm from the relay.

DIP Switch	Setting	Description
Port Alarm Function (P1 to P16)	ON	Enables the PORT Alarm. When the port's loss link, the relay will forced an close circuit, and the fault LED will light up.
	OFF	Disable the PORT Alarm. When the port's loss link, there will no action from the relay, and it remain in open circuit, and the fault LED will not light up.



Dimensions (Units: mm)



Ordering Information

NSM-316G CR	16-port GBE Ethernet Unmanaged Switch (RoHS)
-------------	----------------------------------------------

Accessories

DR-120-48	48 V/2.5 A, 120 W Single Output Industrial DIN Rail Power Supply
MDR-60-48	48 V/1.25 A, 60 W Single Output Industrial DIN Rail Power Supply
DR-120-24	24V/5 A, 120 W Single Output Industrial DIN Rail Power Supply
SDR-240-24	24 V/10 A, 240 W Single Output Industrial DIN Rail Power Supply with PFC Function
DIN-KA52F	24 V/1.04 A, 25 W Power Supply with DIN-Rail Mounting
DIN-KA52F-48	48 V/0.52 A, 25 W Power Supply with DIN-Rail Mounting