



### Features

- 7", 10.4" TFT LCD
- AM3352/AM3354, 720 MHz/1 GHz CPU
- CE7 (Windows Embedded Compact 7)
- Hard Real-Time Capability
- Support eLogger HMI (free)
- PoE (Power over Ethernet)
- NEMA 4/IP65 Compliant Front Panel
- Ultra-Rugged Construction and Reliable Design
- Operating Temperature: -10 °C ~ +60 °C



### Introduction

The VP-2201-CE7/VP-4201-CE7 are CE7 based ViewPAC that combine computing, I/O, and operator interface into a single unit, and provide the perfect solution for integrating HMI, data acquisition and control in an individual PAC. It is equipped with an ARM AM3352/AM3354 CPU, TFT LCD and a variety of connectives including dual Gigabit Ethernet, USB port, RS-232 and RS-485 interface. I/O expansion is available to use our Ethernet I/O modules and RS-485 I/O modules. Designed for panel mount installation, the front panel is NEMA 4/IP65 rated and can withstand sprayed water, humidity and extreme dust. Designed to operate over a wide -10°C ~ 60°C ambient temperature range, the fanless design offers the ultimate in reliability with no moving parts.

Windows Embedded Compact 7 is a componentized, hard real-time, high performance, and highly reliable operating system. CE7 delivers rich user experiences and a unique connection to Windows PCs, servers, services, and devices.

### Windows Embedded Compact 7

CE7 is a compact and hard real-time OS used to quickly create time critical and high performance applications. Using CE7 gives an ability to run PC-based control software such as Visual Basic .NET, Virtual C#, SCADA software, SoftPLC... etc.

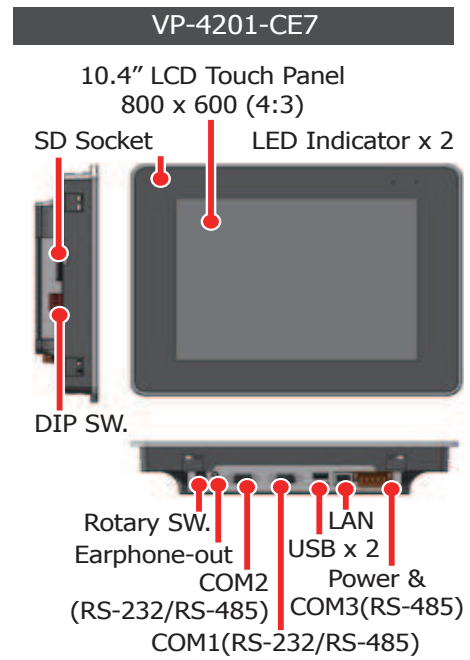
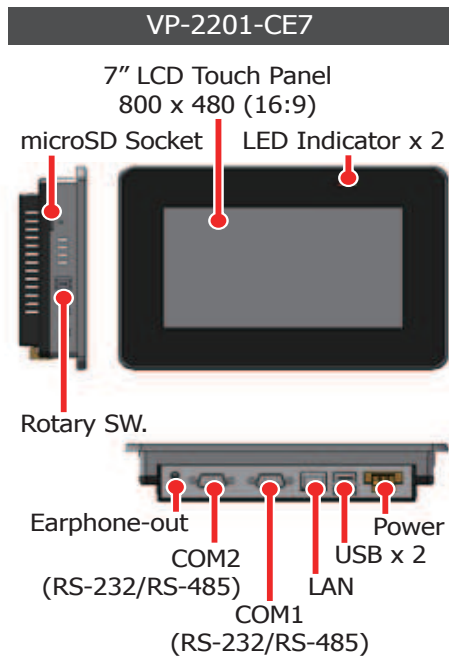


- FTP Server
- Web Server
- SQL Compact Edition 3.5
- .NET Compact Framework 3.5
- Virtual CE Pro (VCEP)
- OPC Server (NAPOPC DA Server)
- Soft PLC solution ISaGRAF inside
- SCADA solution InduSoft inside

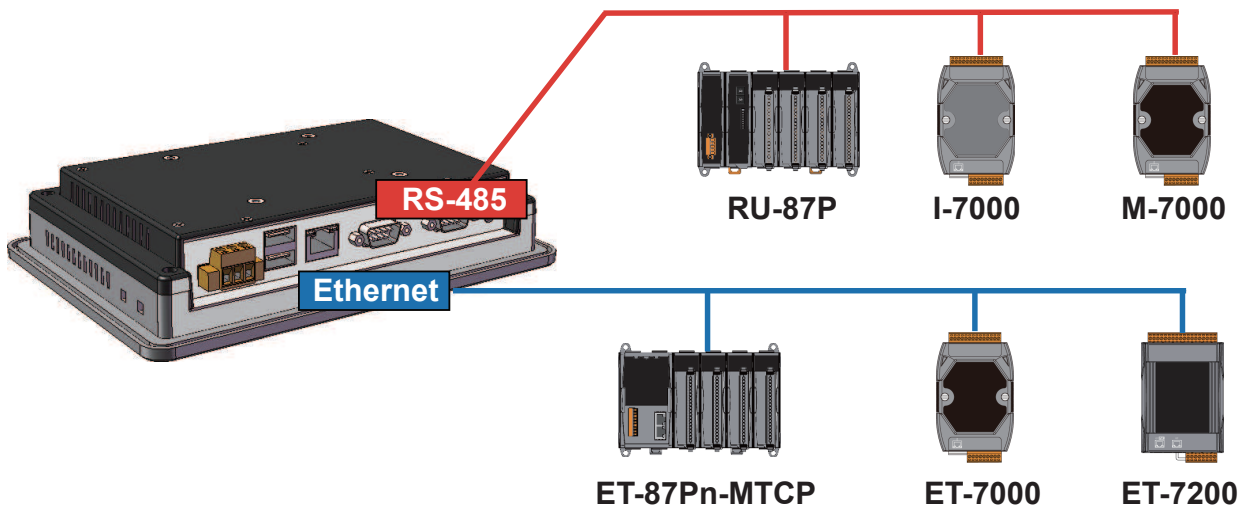
## Specifications

Models	VP-2201-CE7	VP-4201-CE7
<b>LCD</b>		
Diagonal Size	7" (16:9)	10.4" (4:3)
Resolution	800 x 480	800 x 600
Brightness (cd/m <sup>2</sup> )	400	
Contrast Ratio	500 : 1	
LED Backlight Life (hrs)	20,000	50,000
Touch Panel	4-wire, resistive type; light transmission: 80 %	5-wire, resistive type; light transmission: 80 %
LED Indicator	2 (Run, PWR)	
<b>System Software</b>		
OS	Microsoft Windows Embedded Compact 7	
Framework Support	.NET Compact Framework 3.5	
Embedded Service	FTP server, Web server (supports VB script, JAVA script), SQL Compact Edition 3.5	
SDK Provided	DII for Visual Studio.Net	
Multilanguage Support	English, German, French, Spanish, Portuguese, Russian, Italian, Korean, Simplified Chinese, Traditional Chinese	
<b>CPU Module</b>		
CPU	AM3352 (720 MHz)	AM3354 (1 GHz)
DRAM	512 MB	
MRAM	128 KB	
Flash (SSD)	256 MB	
EEPROM	16 KB	
Memory Expansion	microSD socket with 4 GB micro SDHC card (support up to 32 GB)	SD socket with 4 GB SDHC card (support up to 32 GB)
RTC (Real Time Clock)	Provide second, minute, hour, date, day of week, month, year	
64-bit Hardware Serial Number	Yes, for software copy protection	
Dual Watchdog Timers	0.8 second	
Rotary Switch	0 ~ 9	
<b>Communication Ports</b>		
Ethernet	1 x RJ-45 10/100/1000 Base-TX	
USB 2.0 (host)	2	
COM 1	RS-232 (TxD, RxD, CTS, RTS) /RS-485 (Data+, Data-) (9-wire DB9 connector); 2500 VDC isolated	
COM 2	RS-232 (TxD, RxD, CTS, RTS) /RS-485 (Data+, Data-) (9-wire DB9 connector); 2500 VDC isolated	
COM 3	-	RS-485 (Data+, Data-, GND); 2500 VDC isolated
Audio	Earphone-out	
<b>Mechanical</b>		
Dimensions (W x H x D), Unit: mm	213 x 148 x 44	291 x 229 x 54
Panel Cut-Out (W x H), Unit: mm	200 x 133, ± 1	276 x 214, ± 1
Installation	Panel Mounting	
Ingress Protection	Front panel: NEMA 4/IP65	
Weight	0.7 kg estimate	1.8 kg estimate
<b>Environmental</b>		
Operating Temperature	-10 °C ~ +60 °C	
Storage Temperature	-20 °C ~ +70 °C	
Ambient Relative Humidity	10 % ~ 90 % RH (non-condensing)	
<b>Power</b>		
Input Range	+12 VDC ~ +48 VDC	
Power from PoE	IEEE 802.3af	
Isolation	-	1 kV
Consumption	6 W	13 W

### Appearance



### Application



### Ordering Information

VP-2201-CE7	7" ViewPAC with AM3352 CPU and CE7 OS
VP-4201-CE7	10.4" ViewPAC with AM3354 CPU and CE7 OS

### Accessories

DP-660	24 VDC/2.5 A, 60 W and 5 VDC/0.5 A, 2.5 W Power Supply with DIN-Rail Mounting
MDR-60-24 CR	24 VDC/2.5 A, 60 W Power Supply with DIN-Rail Mounting (RoHS)