

I-8135W

Unmanaged 5-Port 10/100 Mbps Ethernet Switch Module



Introduction

The I-8135W is a flexible and high performance five-port Ethernet switch module. It can be installed in PAC (XPAC, WinPAC, LinPAC, iPAC, ViewPAC, ...) and directly gets power from the backplane. An extra power adapter for an Ethernet switch is not need any more.

In your PAC solutions, if you want to expand Ethernet connection, I-8135W is good to replace regular Ethernet switches to save installation space and power adapter.

Features

5-port RJ-45 Ethernet Switch
Each port supports both 10/100 Mbps speed auto negotiation
Full duplex IEEE 802.3x and half duplex backpressure flow control
Automatic MDI/MDI-X crossover for plug-and-play
3.2 Gbps high performance memory bandwidth
512 Kbit frame buffer memory

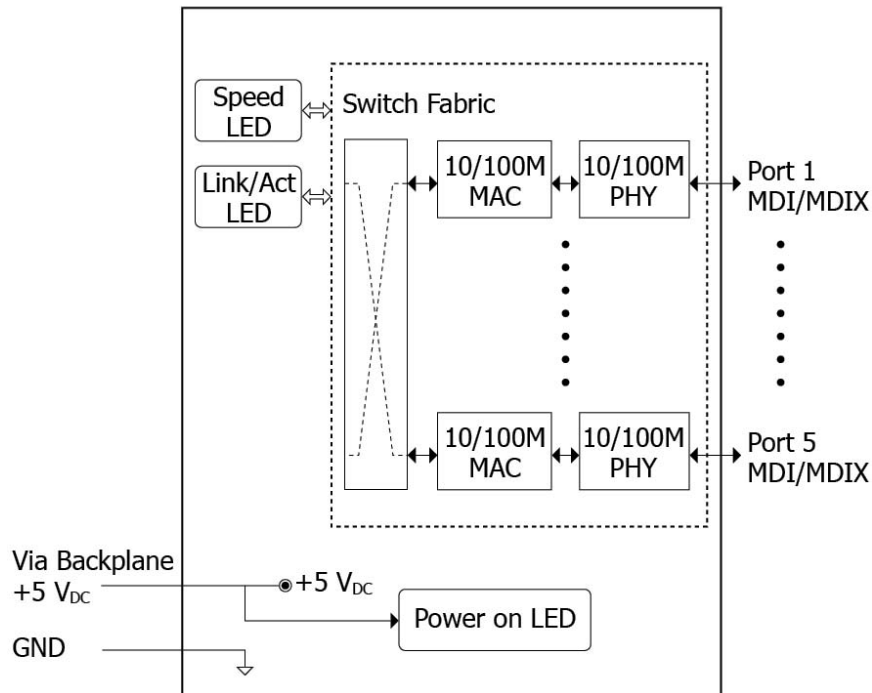
Specifications

Models	I-8135W
Technology	
Standards	IEEE 802.3, 802.3u, 802.3x
Processing Type	Store & forward, wire speed switching
MAC Addresses	1024
Memory Bandwidth	3.2 Gbps
Frame buffer memory	512 Kbit
Flow Control	IEEE802.3x flow control, back pressure flow control
Ethernet Switch	No external software required (for iP-8000, WP-8000, XP-8000, VP-23/25W)
Interface	
RJ45 ports	10/100 Base-T(X) auto negotiation speed, F/H duplex mode, and auto MDI/MDI-X connection
LED Indicators	1 LED as power indicator; 10 LEDs as speed and Link/Act indicators
Ethernet Isolation	1500 Vrms 1 minute
Power	
Power consumption	3 W
Mechanical	
Casing	Plastic (Flammability UL 94V-0)
Dimensions (W x H xD)	30 mm x 82 mm x 114 mm
Environmental	
Operating Temperature	-25 °C ~ +75 °C
Storage Temperature	-30 °C ~ +85 °C
Ambient Relative Humidity	5% ~ 90% RH, non-condensing

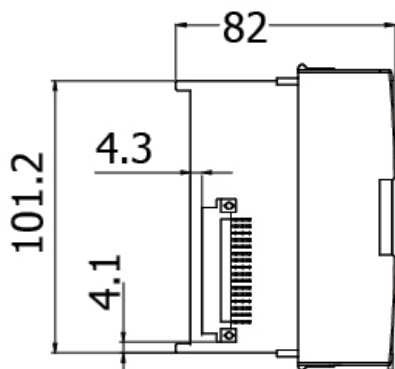
LED Indicator Functions:

LED	Color	Description
Power	Red On	Power is On
	Red Off	Power is Off
Port1 ~ 5	Yellow On	Link to 100 Mbps
	Yellow Off	Link to 10 Mbps
	Green On	Link/Act
	Green Off	Not Networking

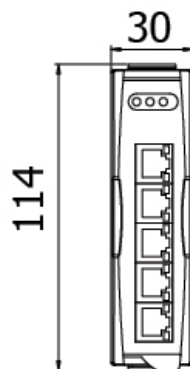
Internal I/O Structure:



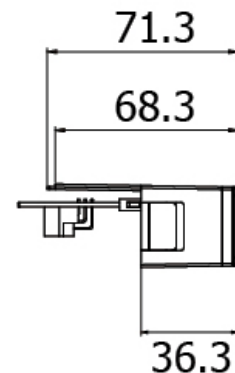
Dimensions:



Left Side View



Front View



Top View