

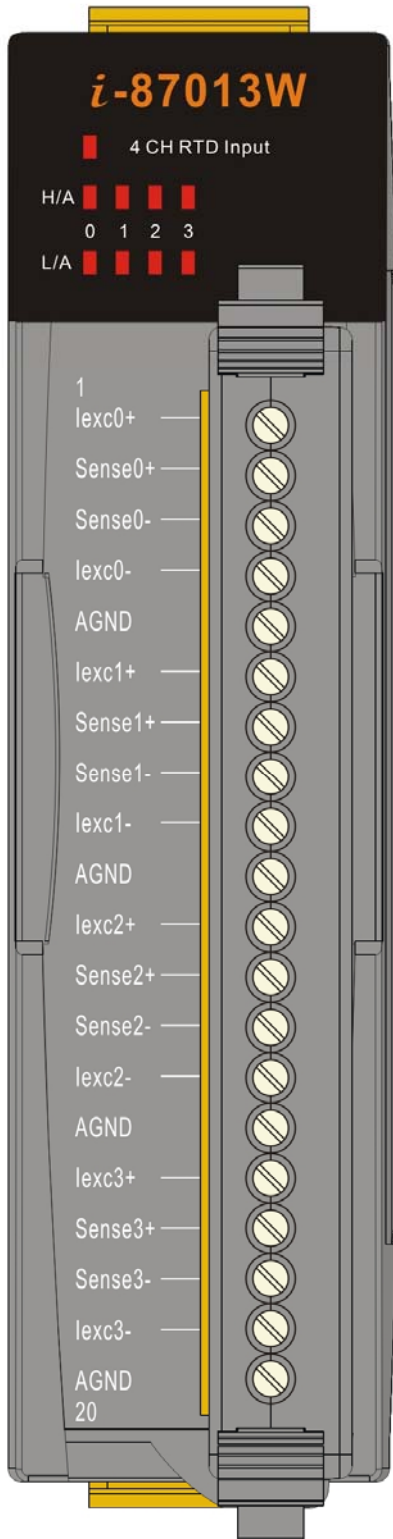
I-87013W Hardware User Guide *Ver. 1.1*

Last Modified 05/07/2007

I-87013W Specifications

Analog Input Module	
Input Channels	<i>4 differential</i>
Resolution	<i>16bit</i>
Input Type	<i>Pt, Ni</i>
Wire Connection	<i>2/3/4 wire RTD</i>
Sampling Rate	<i>10 samples/second total</i>
-3dB Bandwidth	<i>15.7Hz</i>
Accuracy	<i>+/- 0.1% of FSR</i>
Common Mode Rejection	<i>150dB min</i>
Normal Mode Rejection	<i>100dB</i>
<i>Isolation Voltage</i>	<i>3000VDC</i>
<i>Power Consumption</i>	<i>0.8W max.</i>

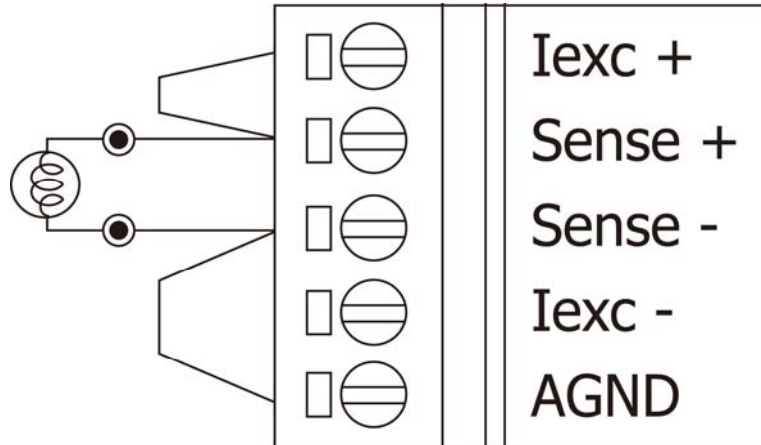
I-87013W Pin Assignment



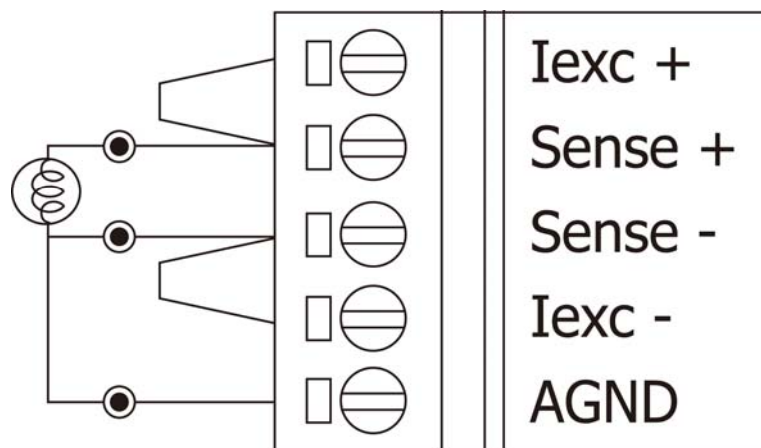
Terminal No.	Pin Assignment Name
01	lexc0+
02	Sense0+
03	Sense0-
04	lexc0-
05	AGND
06	lexc1+
07	Sense1+
08	Sense1-
09	lexc1-
10	AGND
11	lexc2+
12	Sense2+
13	Sense2-
14	lexc2-
15	AGND
16	lexc3+
17	Sense3+
18	Sense3-
19	lexc3-
20	AGND

I-87013W Wire Connection Type

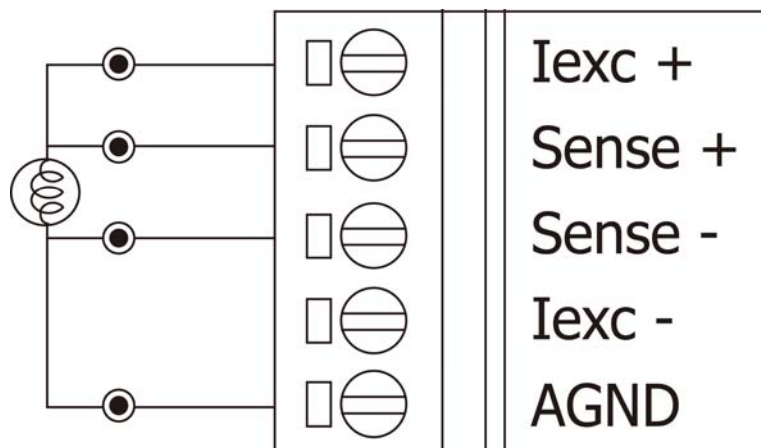
Wiring for 2-wire RTD



Wiring for 3-wire RTD



Wiring for 4-wire RTD



I-87013W Internal I/O Structure

