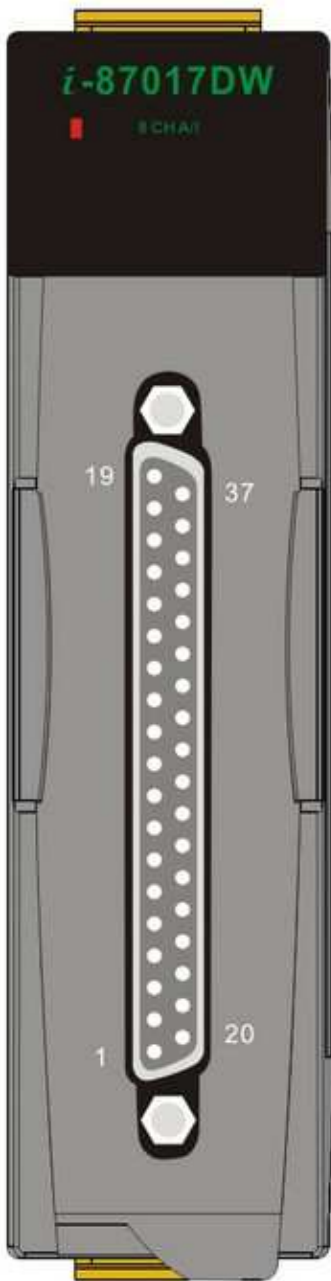


# I-87017DW Hardware User Guide

## I-87017DW Specification

<b>Analog Input</b>	Input Channels	8 differential/16 single-ended
	Input Type	+/- 10V, +/- 5V, +/- 1V +/- 500mV, +/- 150mV -20mA ~ +20mA (with external 125 Ohms resistor)
	Resolution	16-bit / 12-bit
	Sampling Rate	Normal Mode : 16-bit,10 Samples/Sec(Total)
		Fast Mode : 12-bit, 60 Sample/Sec(Total)
	Accuracy	Normal mode : 0.1% of FSR
		Fast mode : 0.5% of FSR
	-3dB BandWidth	15.7Hz
	Zero drift	+/- 20µV/ °C
	Span drift	+/- 25 µV/ °C
	Common Mode Rejection	86dB
	Normal Mode Rejection	100 dB
	Input Impedance	Differential: 2M Ohms, Single-Ended: 1M Ohms
	Overvoltage Protection	Differential: 240Vrms, Single-ended: 120Vrms
Individual Channel Configuration	Yes	
Intra-module Isolation, Field to Logic	3000VDC	
<b>LED Display</b>	1 LED as Power/Communication indicator	
<b>Power Consumption</b>	Maximum : 1.1W	

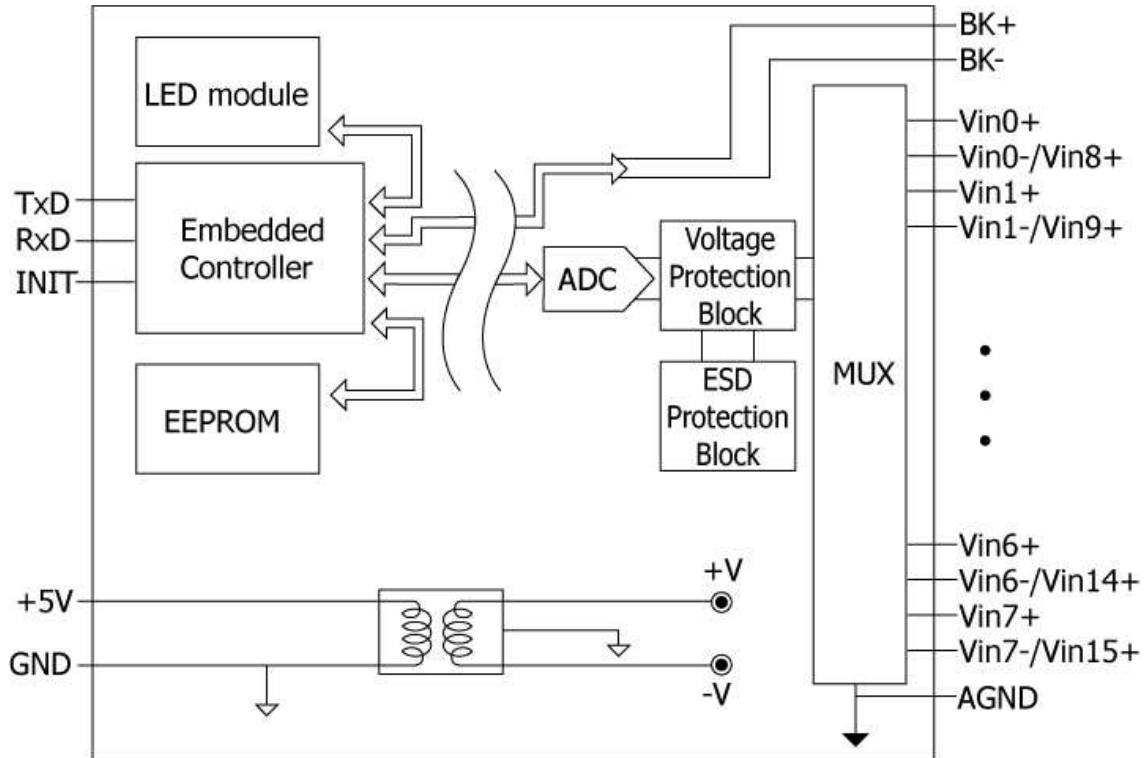
## I-87017DW Pin Assignment



Pin Assignment	Terminal No.	Pin Assignment
AGND	19	
AGND	18	37 BK+
V7-	17	36 N/A
V7+	16	35 N/A
V6-	15	34 N/A
V6+	14	33 N/A
V5-	13	32 N/A
V5+	12	31 N/A
V4-	11	30 N/A
V4+	10	29 N/A
V3-	09	28 N/A
V3+	08	27 N/A
V2-	07	26 N/A
V2+	06	25 N/A
V1-	05	24 N/A
V1+	04	23 N/A
V0-	03	22 N/A
V0+	02	21 N/A
BK-	01	20 N/A

37-pin male D-Sub Connector

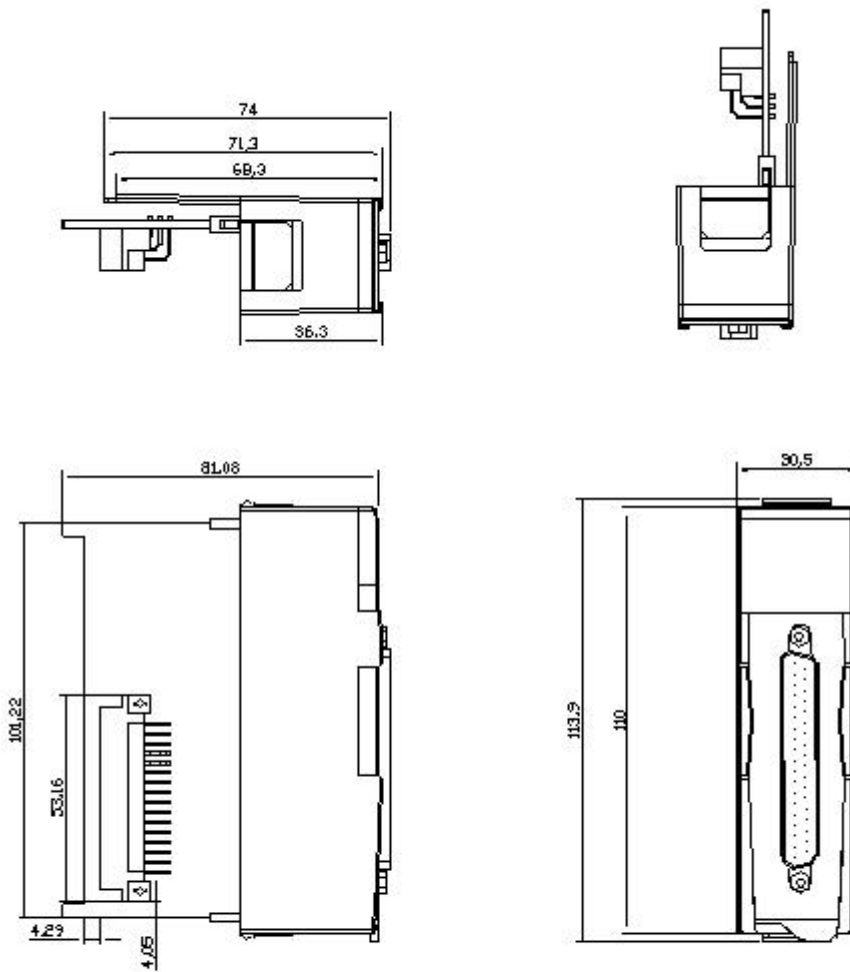
### I-87017DW Block Diagram



### I-87017DW Wire Connection

Input Type	Differential	Single-ended
JP4 Jumper		
Voltage Input Wiring		
Current Input Wiring		
Note: When connecting to a current source, an optional external 125 $\Omega$ resistor is required.		
<b>Daughter Board Detection</b>		
Connect		Open
Open		

## I-87017DW Dimention



Unit: mm

## High Profile

### I-87017DW Default Setting

Configuration	Default Setting	Description
Type	08	-10V to +10V
Baudrate	0A	115200 bps
Format	00	60Hz rejection Checksum disable Engineer Unit Format