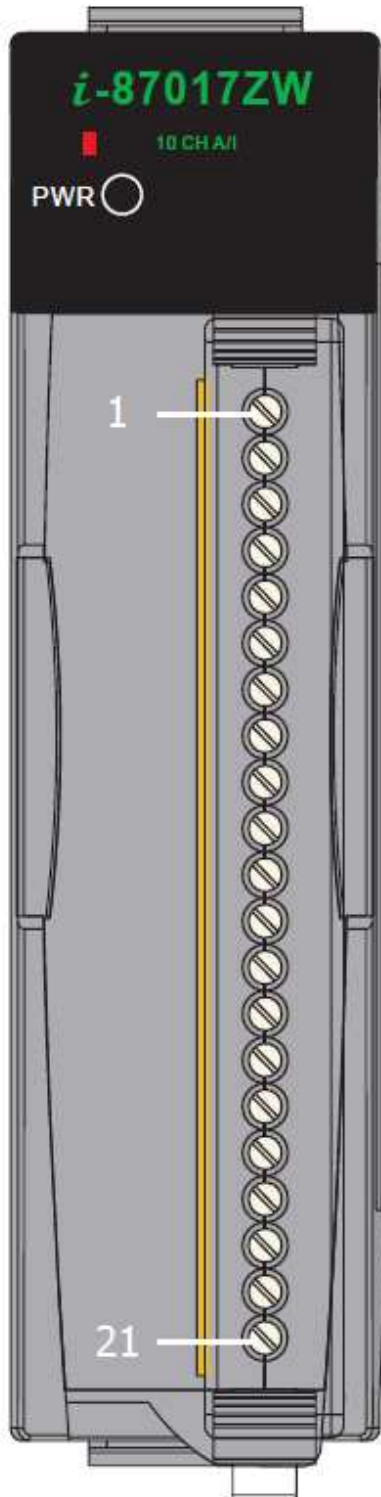


I-87017ZW Hardware User Guide

I-87017ZW Specification

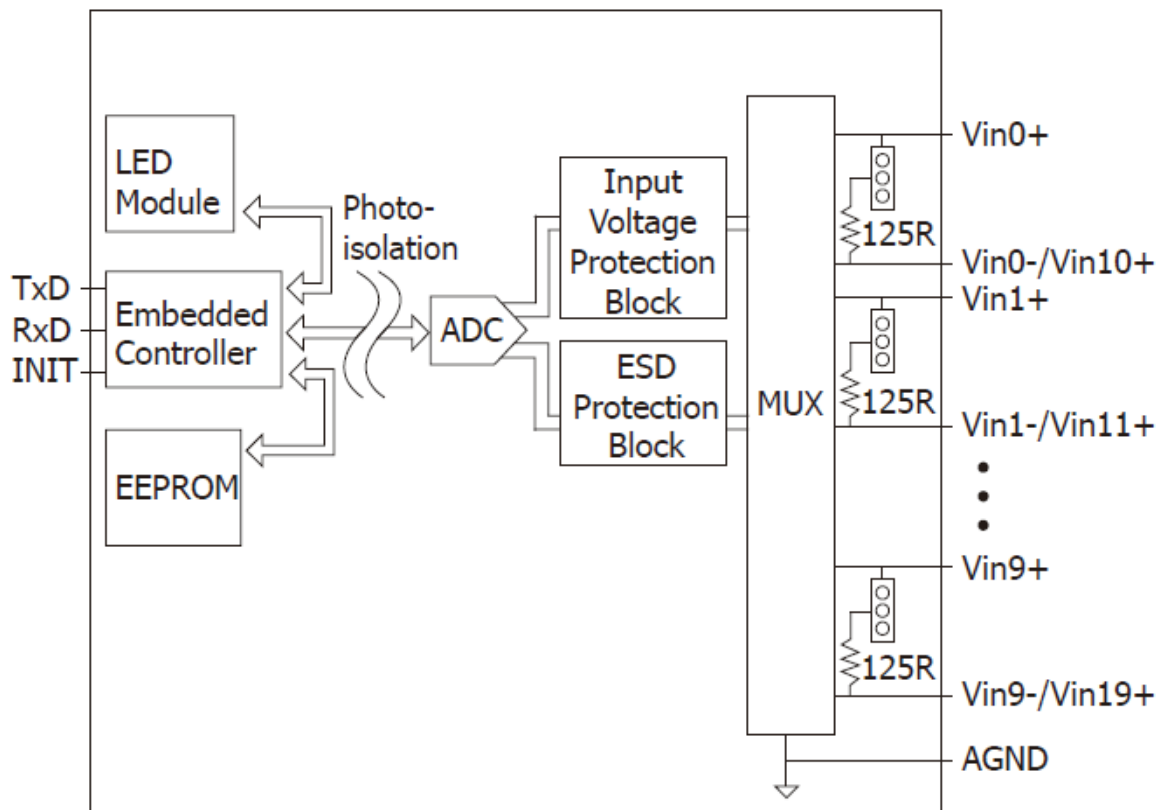
Analog Input	Input Channel	10 differential or 20 single-ended (See Note 1), Jumper selectable
	Input Type	+/-150mV, +/-500mV, +/-1V, +/-5V, +/-10V +/-20mA, 0~20mA, 4~20mA (jumper selectable)
	Resolution	16-bit(Normal Mode) 12-bit(Fast Mode)
	Sampling Rate	10 samples/second total(Normal Mode) 50 samples/second total(Fast Mode)
	Accuracy	+/- 0.1%(Normal) / +/- 0.5%(Fast)
	Common Mode Rejection	86dB
	Normal Mode Rejection	100dB
	Voltage Input Impedance	2M Ohms(Differential Mode) 1M Ohms(Single-ended Mode)
	Overvoltage Protection	240 Vrms(Differential Mode) 150 Vrms(Single-ended Mode)
	Isolation Voltage	3000VDC
LED Display	1 LED as Power/Communication indicator	
Power Consumption	Maximum : 2W	

I-87017ZW Pin Assignment

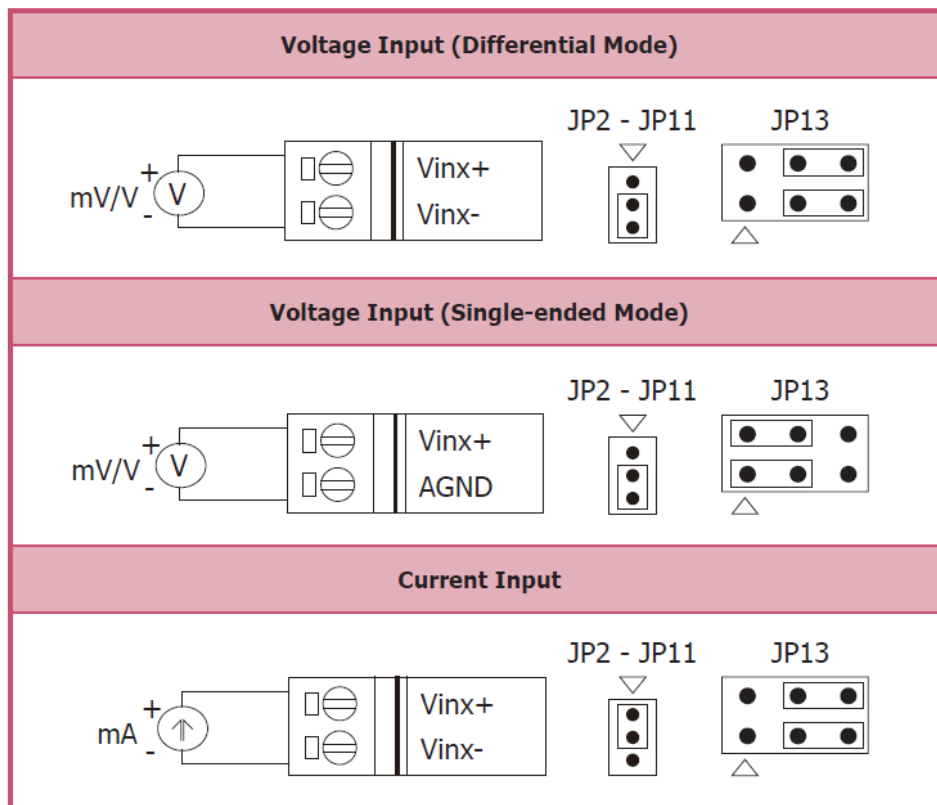


Terminal No.	Pin Assignment
01	Vin0+
02	Vin0 -
03	Vin1+
04	Vin1 -
05	Vin2+
06	Vin2 -
07	Vin3+
08	Vin3 -
09	Vin4+
10	Vin4 -
11	Vin5+
12	Vin5-
13	Vin6+
14	Vin6-
15	Vin7+
16	Vin7-
17	Vin8+
18	Vin8-
19	Vin9+
20	Vin9-
21	AGND

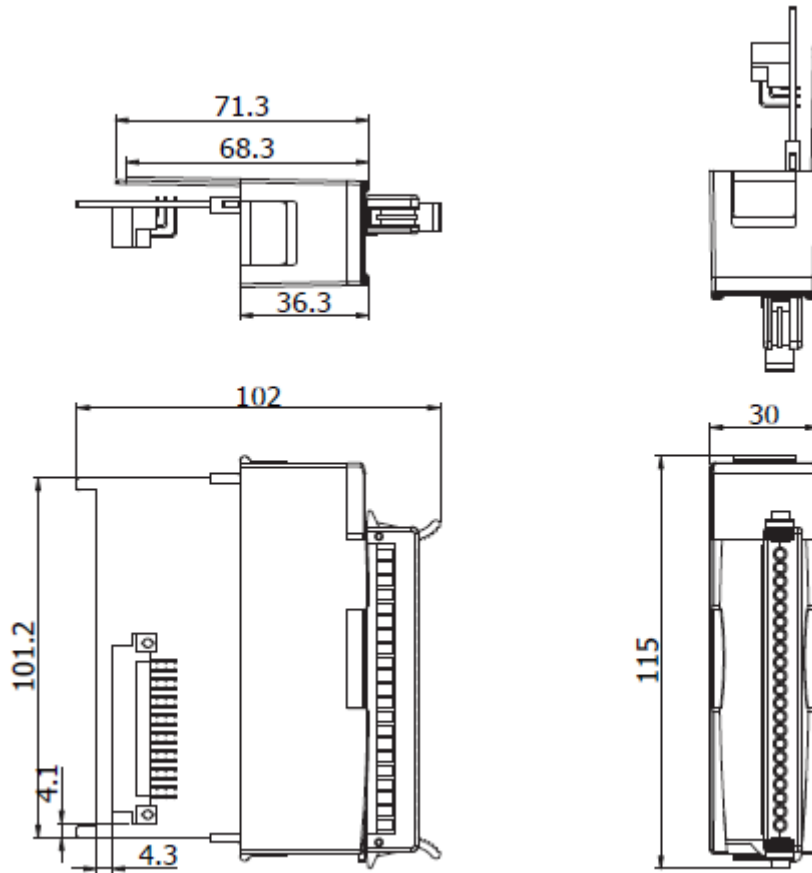
I-87017ZW Block Diagram



I-87017ZW Wire Connection



I-87017ZW Dimention



I-87017ZW Default Setting

Configuration	Default Setting	Description
Type	08	-10V to +10V
Baudrate	0A	115200 bps
Format	00	60Hz rejection CheckSum disable Engineer Unit Format