

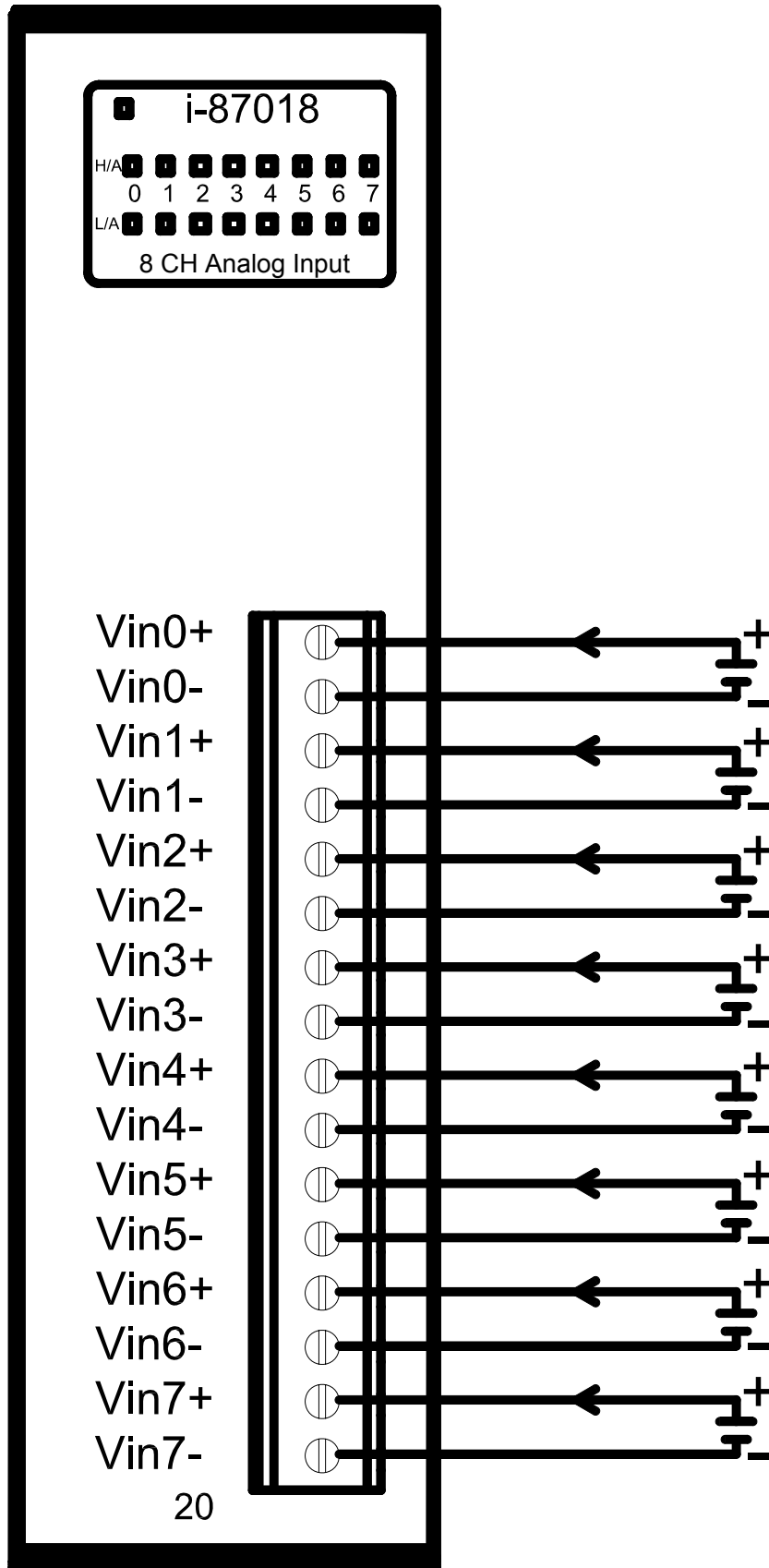
# I-87018 Hardware User Guide *Ver 1.1*

Last Modified 05/07/2007

## ***87018 Specifications***

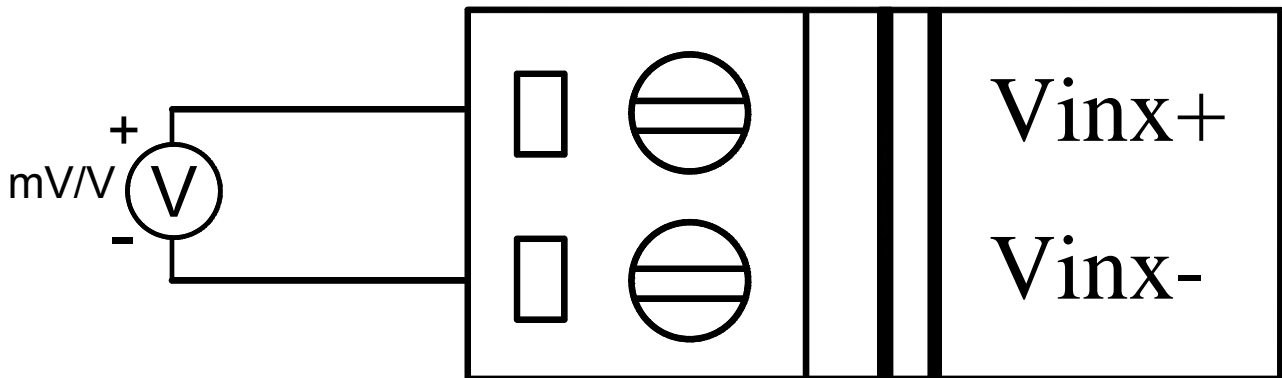
<b>Analog Input Module</b>	
<b><i>Input Channel</i></b>	<b><i>8 differential input channels</i></b>
<b><i>Input Type</i></b>	<b><i>mV, V</i></b> <b><i>mA(with external 125 Ohms resistor)</i></b> <b><i>Thermocouple : J, K, T, E, R,</i></b> <b><i>S, B, N, C, L, M, L2</i></b>
<b><i>Sampling Rate</i></b>	<b><i>10 samples/second total</i></b>
<b><i>-3dB BandWidth</i></b>	<b><i>15.7Hz</i></b>
<b><i>Accuracy</i></b>	<b><i>+/-0.1%</i></b>
<b><i>Common Mode Rejection</i></b>	<b><i>150dB @50/60Hz</i></b>
<b><i>Normal Mode Rejection</i></b>	<b><i>100dB @50/60Hz</i></b>
<b><i>Voltage Input Impedance</i></b>	<b><i>20M Ohms</i></b>
<b><i>Over Voltage Protection</i></b>	<b><i>-35V to +35V max.</i></b>
<b><i>Power Consumption</i></b>	<b><i>1.0W</i></b>

# I-87018 Wire Connection

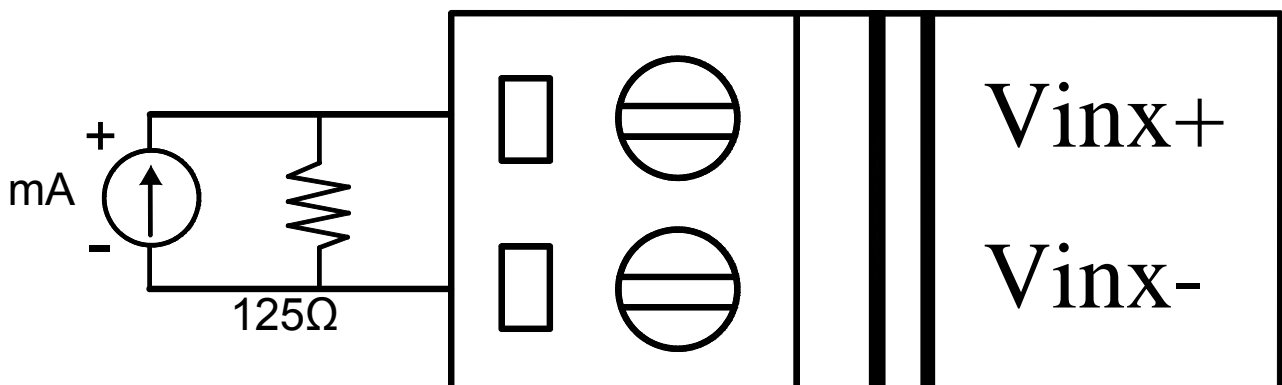


# ***I-87018 Wire Connection Type***

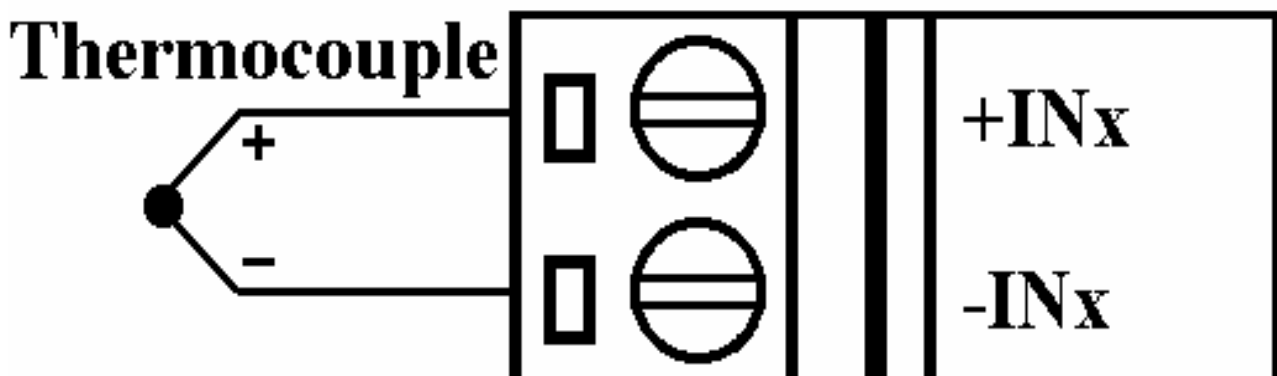
## ***Voltage Input Wiring***



## ***Current Input Wiring***



## ***Thermocouple Input Wiring***



# I-87018 Internal I/O Structure

