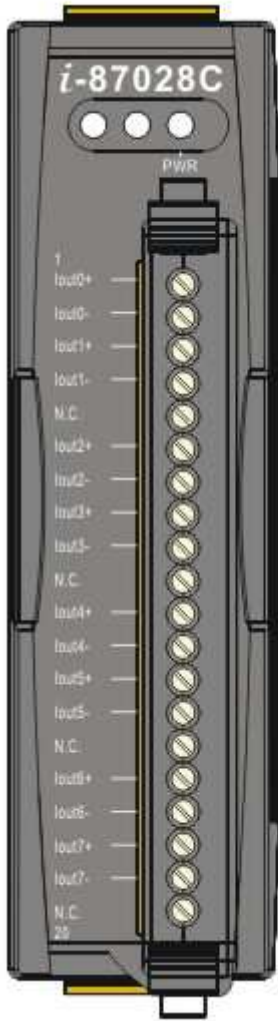


I-87028CW Hardware User Guide

I-87028CW Specification

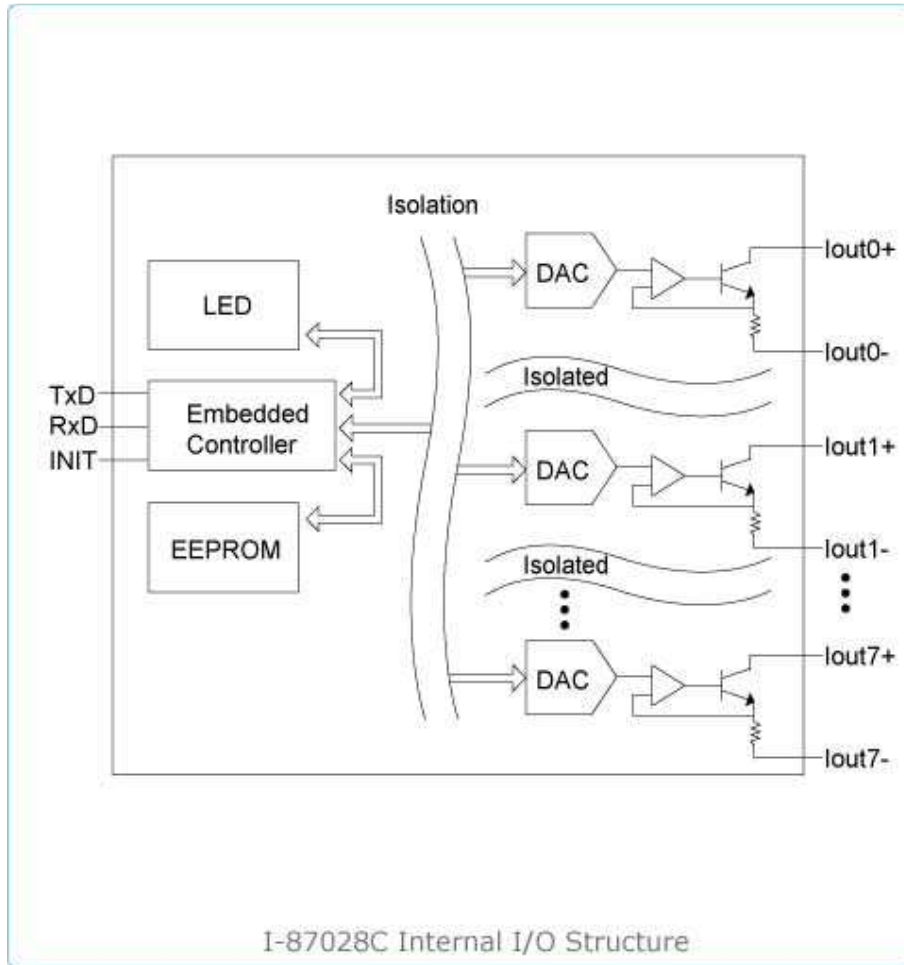
Analog Output	Output Channel	8 channels
	Output Type	0 ~ 20 mA 4 ~ 20mA
	Accuracy	+/- 0.1% of FSR
	Resolution	12-bit
	Zero Drift	+/- 0.2 uA/°C
	Span Temperature Coefficient	+/- 25ppm/°C
	Programmable Output Slope	0.125 to 1024 A/Sec
	Channel to Channel Isolation	Yes, 1kV
	Current Load Restistance	External 24V : 1050 Ohms max
	Intra-Module Isolation	1000V DC
LED Display	1 LED as Power/Communication indicator	
Power Consumption	1.4W	

I-87028CW Pin Assignment



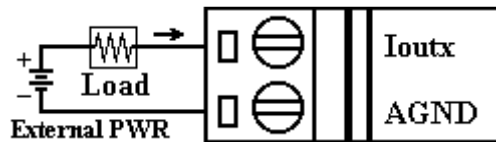
Terminal No.	Pin Assignment Name
01	lout0+
02	lout0-
03	lout1+
04	lout1-
05	N.C.
06	lout2+
07	lout2-
08	lout3+
09	lout3-
10	N.C.
11	lout4+
12	lout4-
13	lout5+
14	lout5-
15	N.C.
16	lout6+
17	lout6-
18	lout7+
19	lout7-
20	N.C.

I-87028CW Block Diagram

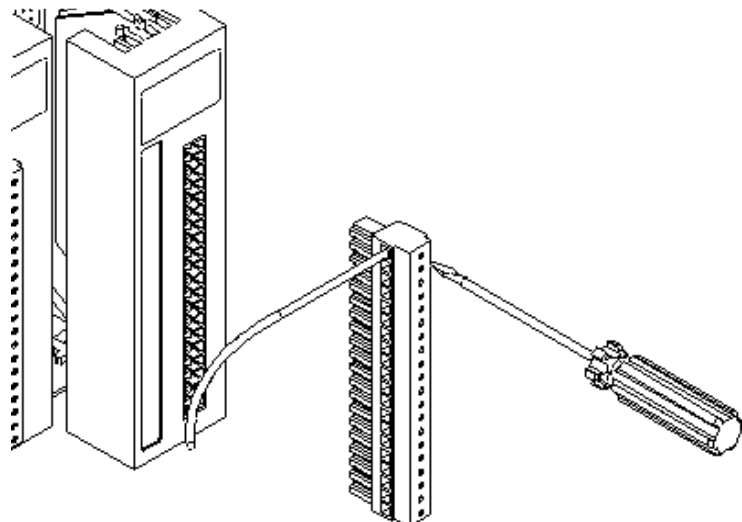


I-87028CW Wire Connection

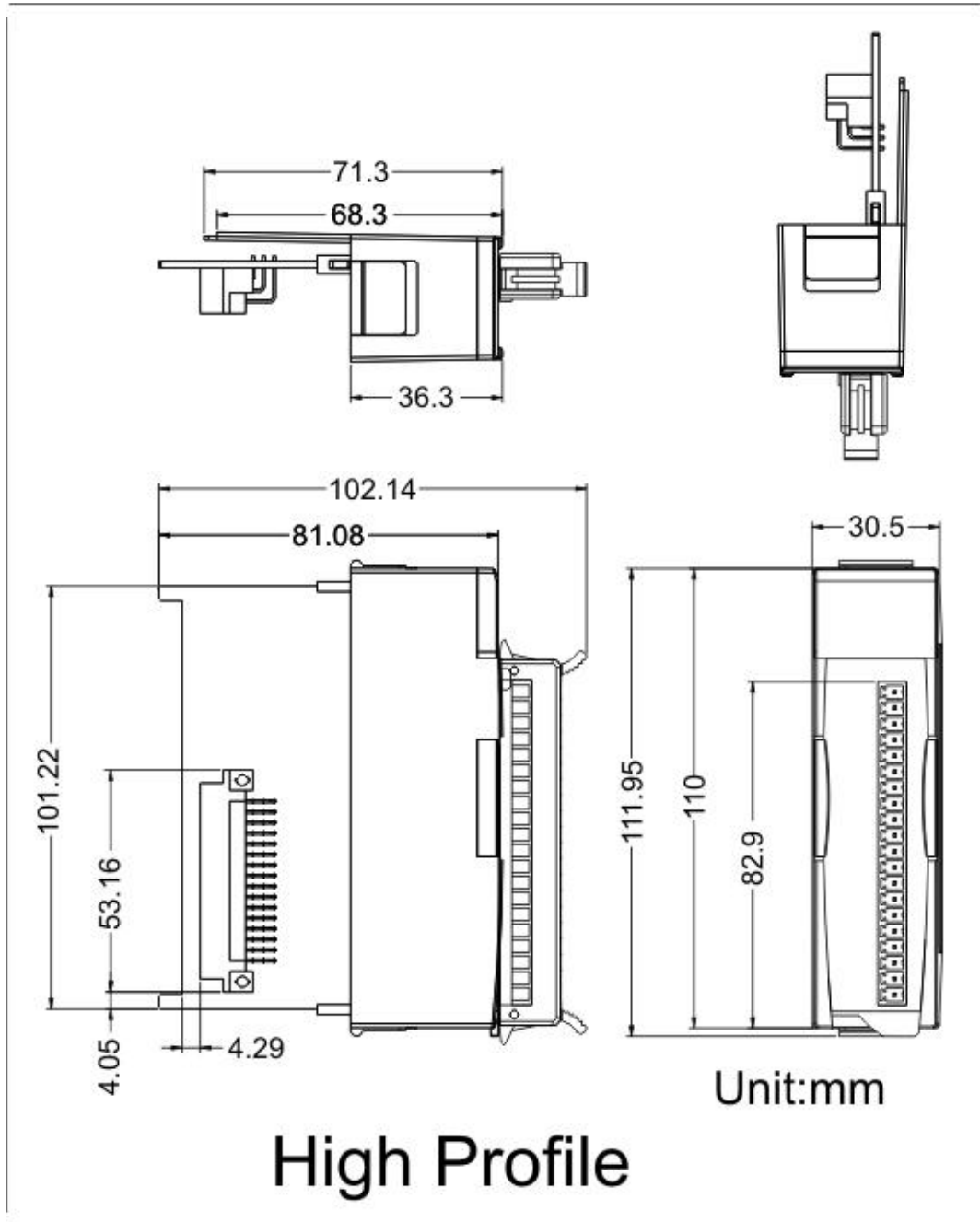
Current Output Wiring



Screw wire into I-87028CW



I-87028CW Dimention



I-87028CW Default Setting

Configuration	Default Setting	Description
Type	3F	-----
Baudrate	0A	115200 bps
Format	00	Checksum disable Immediate Output Engineer Unit Format