

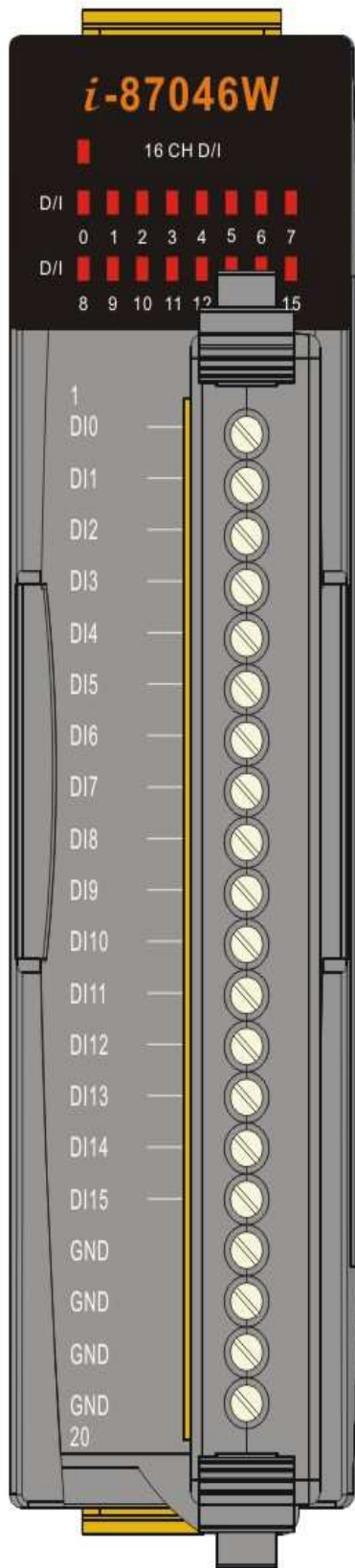
I-87046W Hardware User Guide *Ver 1.1*

Last Modified 5/09/2007

Specifications

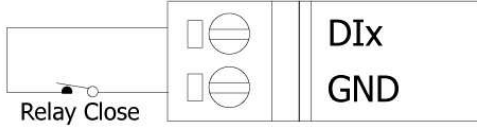
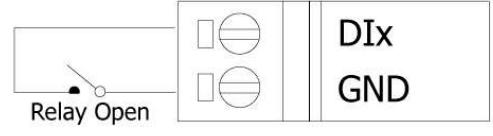
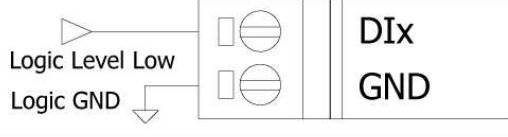
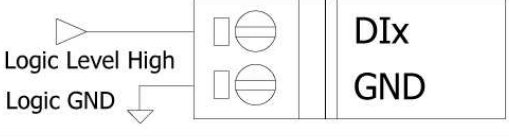
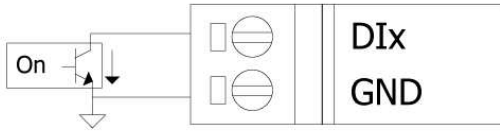
Digital Input Module	
<i>Input Channels</i>	<i>16</i>
<i>Input Type</i>	<i>Dry Contact, Isolated</i>
<i>ON State</i>	<i>Close to GND</i>
<i>OFF State</i>	<i>Open</i>
<i>LED Display</i>	<i>1 LED as Power indicator</i> <i>16 LEDs as DI indicators</i>
<i>Power Consumption</i>	<i>1 W</i>

I-87046W Pin Assignment



Terminal No.	Pin Assignment Name
01	DI0
02	DI1
03	DI2
04	DI3
05	DI4
06	DI5
07	DI6
08	DI7
09	DI8
10	DI9
11	DI10
12	DI11
13	DI12
14	DI13
15	DI14
16	DI15
17	GND
18	GND
19	GND
20	GND

I-87046W Wire Connection

Input Type	On State, LED On Readback as 1	Off State, LED Off Readback as 0
Relay Contact	Relay On 	Relay Off 
	TTL/CMOS Logic	
TTL/CMOS Logic	Voltage < 1V 	Voltage > 3.5V 
	Open Collector	Open Collector On 

I-87046W Internal I/O Structure

