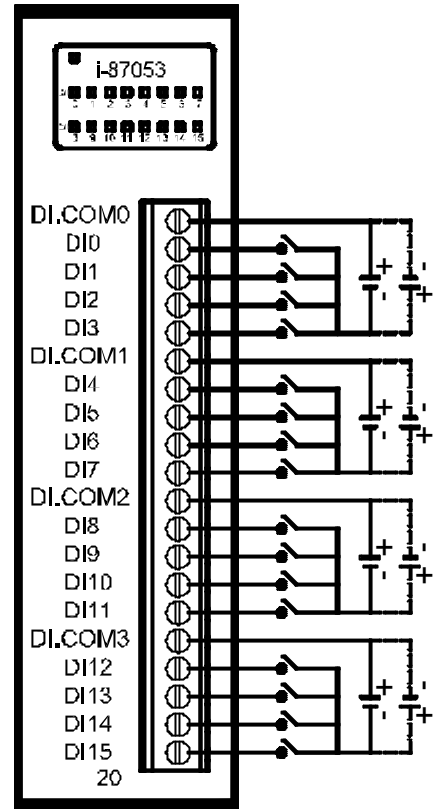


Specification

Digital Input Module	
Inputs per module	16 (sink/source)
Input Type	Isolation DI with DI.COM0~4
Commons per module	4
Input voltage range	30 VDC (peak)
OFF voltage level	1.0 VDC max.
ON voltage level	3.5 VDC min.
Input Impedance	3K Ohms
Isolation Voltage	3750 Vrms
LED Display	1 LED as Power indicator 16 LEDs as DI indicators
Power Requirement	DC 5V, 20mA max.



I-87053 Wire Connection Type

Input Type	ON State LED ON Readback as 1	OFF State LED OFF Readback as 0
Relay Contact		
TTL/CMOS Logic		
NPN Output		
PNP Output		

I-87053 Internal I/O Structure

