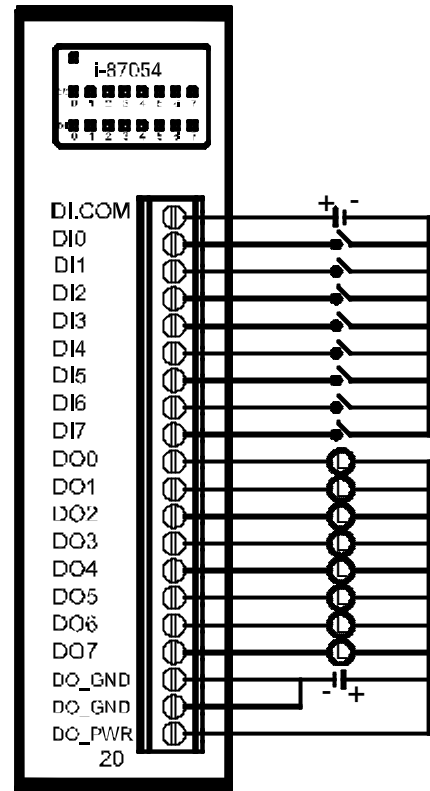


## Specification

### Digital Output/Input Module

	<b>Output Channel</b>	8 ( Sink or Source )
	<b>Output Type</b>	Isolated open-collector
<b>DI</b>	<b>Max load current</b>	375mA per channel
	<b>Load voltage</b>	+5V to +30VDC
	<b>Isolation Voltage</b>	3750 Vrms
	<b>Input Channel</b>	8 ( Sink )
	<b>Input Type</b>	Isolated digital input with common power
<b>DO</b>	<b>ON State</b>	Input voltage < 1V
	<b>OFF State</b>	Input voltage > 3.5V
	<b>Input Impedance</b>	3K Ohms
	<b>Isolation Voltage</b>	3750 Vrms
<b>LED Display</b>	1 LED as Power indicator 8 LEDs as DI indicators 8 LEDs as DO indicators	
<b>Power Consumption</b>	Typical: 0.5W Max. : 0.7W	

## I-87054 Wire Connection



## I-87054 Wire Connection Type

Input Type	ON State LED ON Readback as 1	OFF State LED OFF Readback as 0
<b>Relay Contact</b>		
<b>TTL/CMOS Logic</b>		
<b>NPN Output</b>		
<b>PNP Output</b>		
Output Type	ON State LED ON Readback as 1	OFF State LED OFF Readback as 0
<b>Drive Relay</b>		
<b>Resistance Load</b>		

## I-87054 Internal I/O Structure

