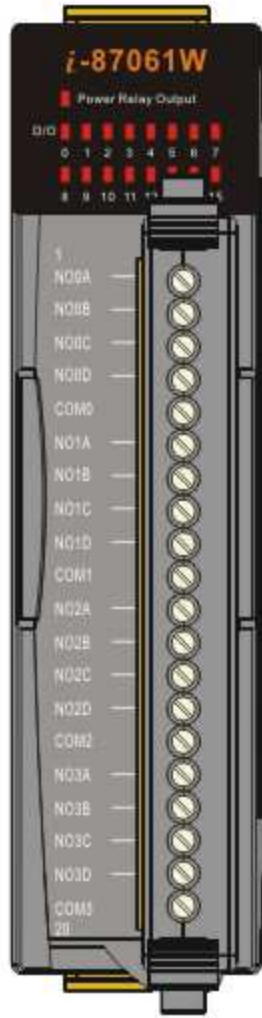


I-87061W Hardware User Guide

I-87061W Specifications

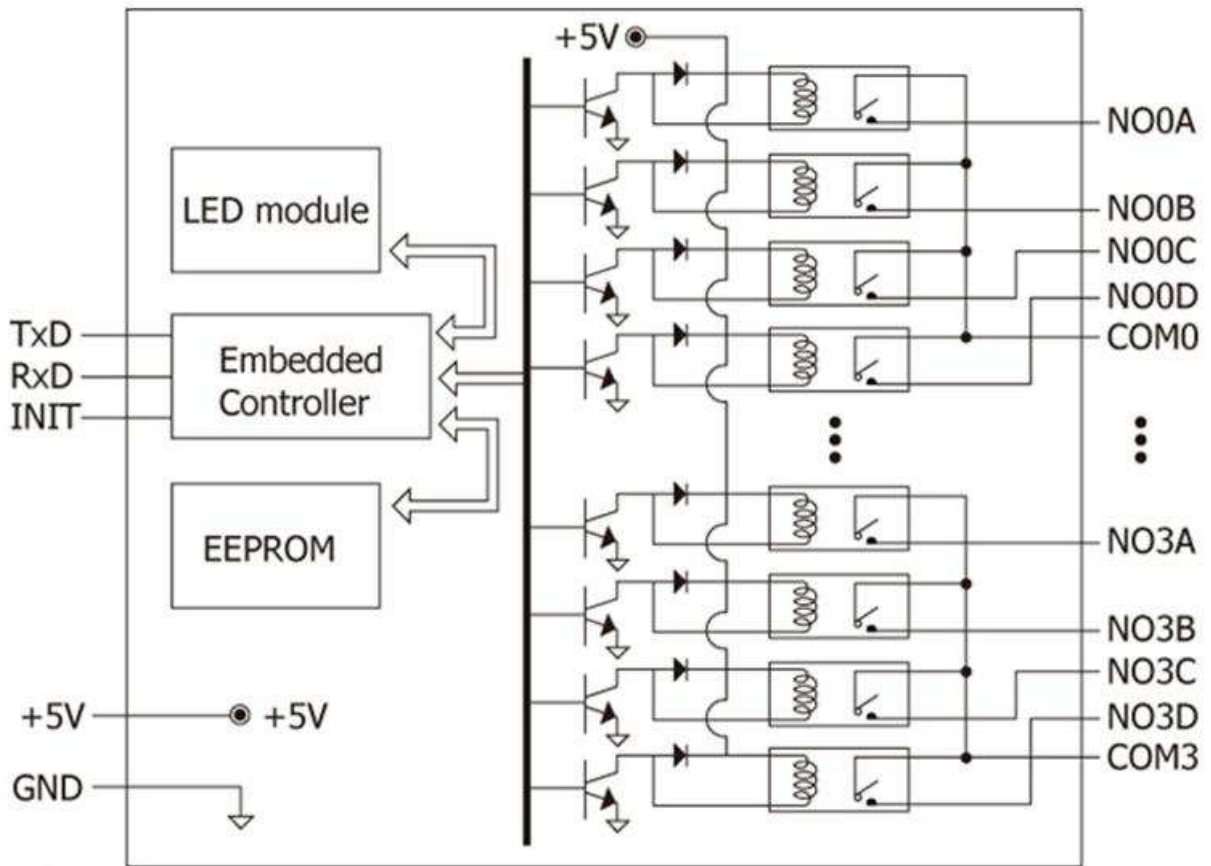
Relay Output	Outputs per module	16	
	Output Type	Power Relay, Form A (SPST N.O.)	
	Operating Voltage Range	250 V _{AC} /30 V _{DC}	
	Max. Load Current	10.0 A/per COM point of Module (at 25 °C)	
	Max. Single Relay Load Current	5 A at 25 °C	
	Operate/Release Time	6mS/3mS max.	
	Mechanical Life	20,000,000 ops. at no load (300 ops./minute).	
	Electrical Life (Resistive load)	VDE:	5A@250 V _{AC} 30,000 ops (10 ops/minute) at 75°C. 5 A@30 V _{DC} 70,000 ops (10 ops/minute) at 75°C.
UL:		5 A@250 V _{AC} /30 V _{DC} 6,000 ops. 16 LEDs as relay output indicators 3 A@250 V _{AC} /30 V _{DC} 100,000 ops.	
LED Display	1 LED as Power/Communication indicator 16 LEDs as relay output indicators		
4KV ESD Protection	Yes, Contact for each terminal		
Power Consumption	Maximum : 1.8W		

I-87061W Pin Assignment



Terminal No.	Pin Assignment Name
01	NO0A
02	NO0B
03	NO0C
04	NO0D
05	COM0
06	NO1A
07	NO1B
08	NO1C
09	NO1D
10	COM1
11	NO2A
12	NO2B
13	NO2C
14	NO2D
15	COM2
16	NO3A
17	NO3B
18	NO3C
19	NO3D
20	COM3

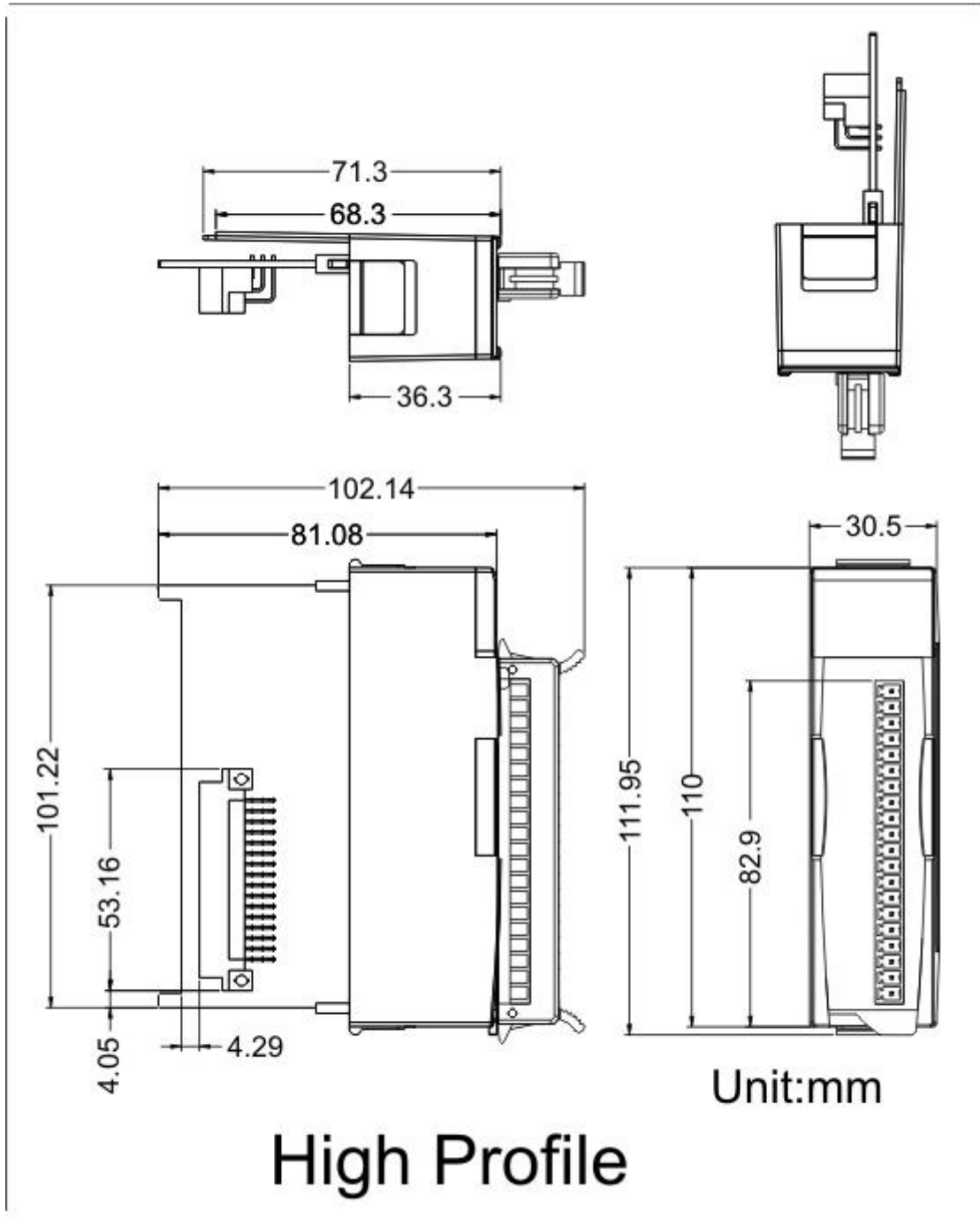
I-87061W Block Diagram



I-87061W Wire Connection

Output Type	ON State LED ON Readback as 1	OFF State LED OFF Readback as 0
	Relay ON	Relay Off
Relay Contact		

I-87061W Dimensions



I-87061W Default Setting

Configuration	Default Setting	Description
Type	40	Digital Input/Output
Baudrate	0A	115200 bps
Format	00	Checksum disable