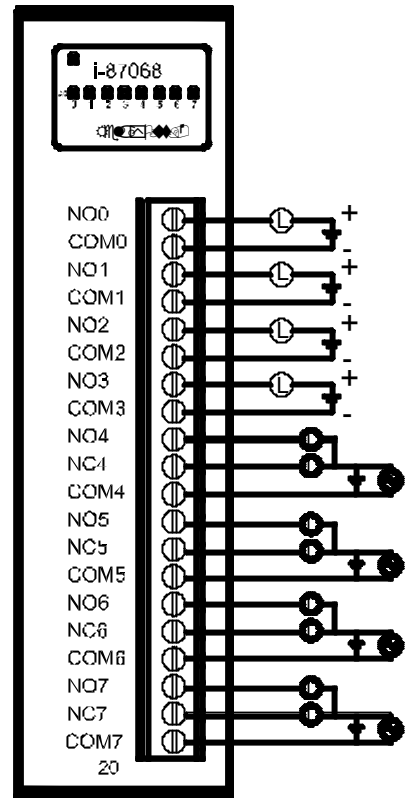


Specification

Relay Output Module

Output Channel	8
Relay Type	Form A : Relay 0 to 3 Form C : Relay 4 to 7
Contact Rating	0.5A @125VAC 1A @30VDC
Operate/Release Time	7mS/3mS
Life	2*10 ⁵
Dielectric Strength	Coil to contacts: 1500VAC Open contacts: 1000VAC
LED Display	1 LED as Power indicator 8 LEDs as DO indicators
Power Consumption	Typical: 0.5W Max. : 1.9W



I-87068 Wire Connection Type

Output Type	ON State LED ON Readback as 1	OFF State LED OFF Readback as 0
Form A Relay Contact		
Form C Relay Contact		

I-87068 Internal I/O Structure

