

NSM-108/NS-208

Unmanaged 8-Port Industrial 10/100 Mbps Ethernet Switch

NS-208



NSM-108



Introduction:

The NSM-108/NS-208 has 8 Ethernet Switching ports that support 10/100Base-T(X), with a 10/100M auto-negotiation feature and auto MDI/MDI-X function.

It can connect 8 workstations and automatically switches the transmission speed (10 Mbps or 100 Mbps) for corresponding connections. The flow control mechanism is also negotiated.

LEDs embedded in RJ-45 jacks make for easy monitoring. Port connectors are shielded RJ-45. A power source for +10~+30VDC is required.

Features:

- Automatic MDI/MDI-X crossover for plug-and-play
- Each port supports both 10/100 Mbps speed auto negotiation
- Store-and-forward architecture
- Full duplex IEEE 802.3x and half duplex backpressure flow control
- 2 Gbps high performance memory bandwidth.
- Supports +10 ~ +30V DC voltage
- Supports operating temperatures from -40 ~ +75 °C
- IP20, rugged high-strength metal case(NSM-108 only)
- Support DIN-Rail, Wall Mounting(NSM-108 only).

Specifications:

- Compatibility:IEEE 802.3, IEEE802.3u, IEEE802.3x
- Frame buffer memory: 512 Kbit
- Address Table Size: 1024
- Interface: 10/100 Base-T(X)
- Port: 10/100 Mbps x 8 (Shielded RJ-45 Jack)
- Provides LEDs for network and power monitoring
- Cables:
 - 10 Base-T (Cat.3, 4,5 UTP cable; 100m Max.)
 - 100 Base-T (Cat.5 UTP cable; 100m Max.)
- Environment:
 - Operating temperature: -40 ~ +75 °C
 - Storage Temperature: -40 ~ +85 °C
 - Relative Humidity: 10% to 90% HR, non-condensing
- NS-208 Dimensions: 64mm x 98mm x 118mm (W x L x H)
- NSM-108 Dimensions: 73mm x 102mm x 132mm (W x L x H)
- Power requirements: +10 ~ +30V DC (Removable Terminal Block)
- Power consumption: 0.15A@24Vdc; +/- 5%, arrowed.

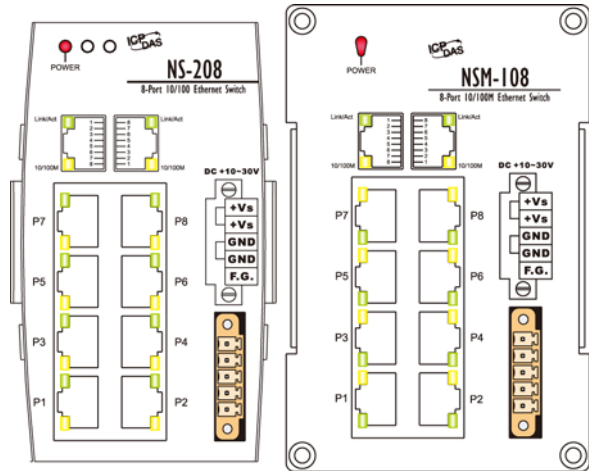
LED functions:

Standard RJ45 female connectors are provided. A standard RJ45 plug cable is all that is necessary to connect your device to the unit since switch that supports auto crossover. Table shows the LED indicator functions. The module includes an internal.

Table

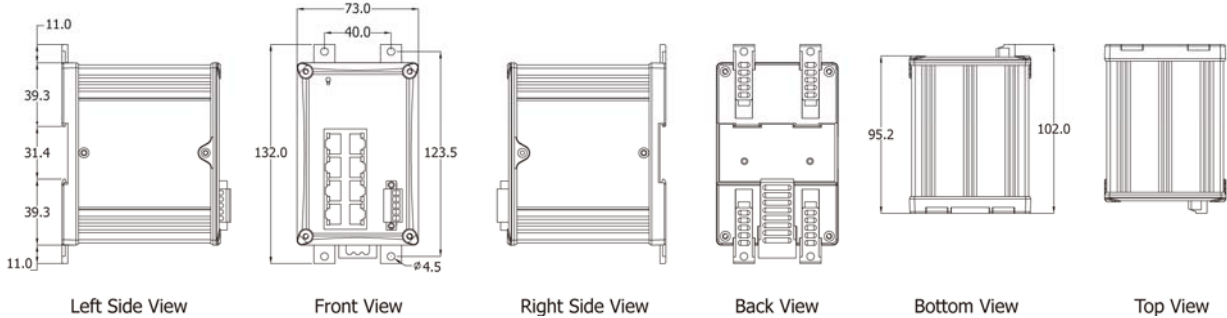
LED Indicator Functions

LED	Color	Description
Power	Red On	Power is On
	Red Off	Power is Off
Ethernet Port	Green On	Link/Act
	Green Off	Not Networking
	Yellow On	Link to 100 Mbps
	Yellow Off	Link to 10 Mbps

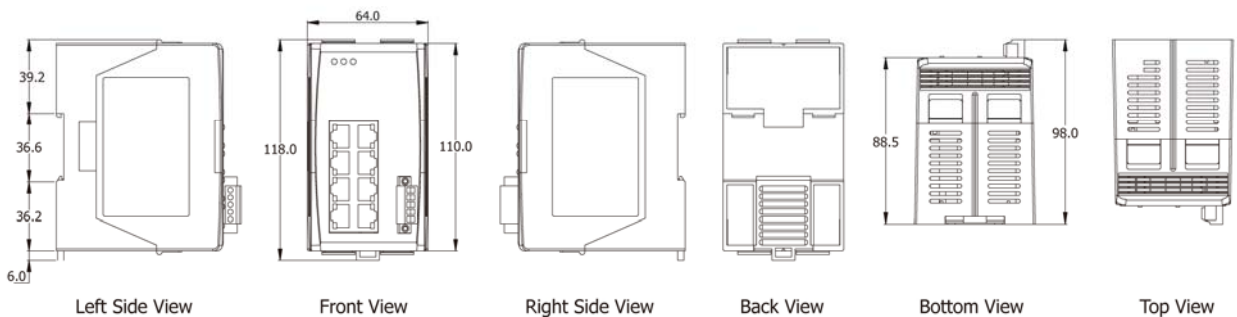


Dimensions:

NSM-108



NS-208



Checking Power:

Since the NSM-108/NS-208 consumes 3.6W, ensure that your power supply is able to meet this demand. The Input voltage range is +10~+30VDC.

Pin Function For Terminal Block:

External power supply is connected using the removable terminal block:

+Vs : Power input +10 ~ +30VDC

GND : Ground

F.G. : F.G. stands for Frame Ground (protective ground). It is optional. If you use this pin, it can reduce EMI radiation; improve EMI performance and ESD protection.