



# PISO-730 Series Card User Manual

32-ch Isolated DIO and 32-ch TTL DIO Board

Version 4.1, Mar 2017

## SUPPORTS

Board includes PEX-730, PEX-730A, PISO-730U, PISO-730U-5V, PISO-730, PISO-730A and PISO-730A-5V

## WARRANTY

All products manufactured by ICP DAS are warranted against defective materials for a period of one year from the date of delivery to the original purchaser.

## WARNING

ICP DAS assumes no liability for damages consequent to the use of this product. ICP DAS reserves the right to change this manual at any time without notice. The information furnished by ICP DAS is believed to be accurate and reliable. However, no responsibility is assumed by ICP DAS for its use, nor for any infringements of patents or other rights of third parties resulting from its use.

## COPYRIGHT

Copyright © 2017 by ICP DAS. All rights are reserved.

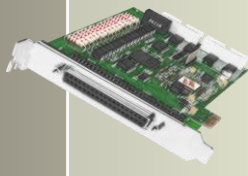
## TRADEMARK

Names are used for identification only and may be registered trademarks of their respective companies.

## CONTACT US

If you have any question, please feel to contact us. We will give you quick response within 2 workdays.

Email: [service@icpdas.com](mailto:service@icpdas.com), [service.icpdas@gmail.com](mailto:service.icpdas@gmail.com)



# TABLE OF CONTENTS

<b>1.</b>	<b>INTRODUCTION .....</b>	<b>4</b>
1.1	PACKING LIST .....	6
1.2	FEATURES.....	7
1.3	APPLICATIONS .....	7
1.4	SPECIFICATIONS .....	8
1.4.1	PEX-730/PISO-730U(-5V)/PISO-730.....	8
1.4.2	PEX-730A/PISO-730A (-5V).....	10
<b>2.</b>	<b>HARDWARE CONFIGURATION.....</b>	<b>12</b>
2.1	BOARD LAYOUT .....	12
2.1.1	PISO-730/PISO-730A(-5V).....	12
2.1.2	PISO-730U(-5V)/PEX-730/PEX-730A .....	13
2.2	I/O OPERATION.....	14
2.2.1	Non-Isolation D/O Port Architecture (CON3).....	14
2.2.2	Non-Isolation D/I Port Architecture (CON2) .....	15
2.2.3	Isolation D/O Port Architecture (CON1).....	16
2.2.4	Isolation D/I Port Architecture (CON1) .....	18
2.3	INTERRUPT OPERATION .....	19
2.3.1	Interrupt Block Diagram .....	20
2.3.2	INT_CHAN_0.....	21
2.3.3	INT_CHAN_1 .....	22
2.3.4	Initial_High, Active_Low Interrupt Source .....	23
2.3.5	Initial_Low, Active_High Interrupt Source .....	25
2.3.6	Multiple Interrupt Source .....	27
2.4	CARD ID SWITCH .....	29
2.5	PIN ASSIGNMENTS .....	30
<b>3.</b>	<b>HARDWARE INSTALLATION .....</b>	<b>31</b>
<b>4.</b>	<b>SOFTWARE INSTALLATION .....</b>	<b>35</b>
4.1	OBTAINING/INSTALLING THE DRIVER INSTALLER PACKAGE .....	35
4.2	PNP DRIVER INSTALLATION .....	36
4.3	VERIFYING THE INSTALLATION .....	37
4.3.1	How do I get into Windows Device Manager? .....	37
4.3.2	Check that the Installation .....	39

<b>5.</b>	<b>TESTING PISO-730 SERIES CARD .....</b>	<b>40</b>
5.1	SELF-TEST WIRING.....	40
5.1.1	<i>Non-isolation (5V/TTL) DIO Test Wiring .....</i>	<i>40</i>
5.1.2	<i>Isolation DIO Test Wiring .....</i>	<i>41</i>
5.2	EXECUTE THE TEST PROGRAM .....	45
<b>6.</b>	<b>I/O CONTROL REGISTER .....</b>	<b>47</b>
6.1	HOW TO FIND THE I/O ADDRESS .....	47
6.1.1	<i>PIO_PISO Utility.....</i>	<i>48</i>
6.2	THE ASSIGNMENT OF I/O ADDRESS.....	51
6.3	THE I/O ADDRESS MAP .....	53
6.3.1	<i>RESET\ Control Register.....</i>	<i>54</i>
6.3.2	<i>AUX Control Register .....</i>	<i>54</i>
6.3.3	<i>AUX Data Register.....</i>	<i>54</i>
6.3.4	<i>INT Mask Control Register.....</i>	<i>55</i>
6.3.5	<i>AUX Status Register.....</i>	<i>55</i>
6.3.6	<i>Interrupt Polarity Control Register .....</i>	<i>56</i>
6.3.7	<i>I/O Data Register.....</i>	<i>57</i>
6.3.8	<i>D/O Readback Register .....</i>	<i>58</i>
6.3.9	<i>Card ID Register.....</i>	<i>59</i>
6.3.10	<i>Ver No Register.....</i>	<i>59</i>
<b>7.</b>	<b>DEMO PROGRAMS.....</b>	<b>60</b>
7.1	DEMO PROGRAM FOR WINDOWS .....	60
7.2	DEMO PROGRAM FOR DOS .....	62
7.2.1	<i>Demo1: DO Demo .....</i>	<i>64</i>
7.2.2	<i>Demo2: DIO Demo .....</i>	<i>66</i>
7.2.3	<i>Demo3: Interrupt (DIO initial high).....</i>	<i>68</i>
7.2.4	<i>Demo4: Interrupt (DIO initial low).....</i>	<i>70</i>
7.2.5	<i>Demo5: Interrupt (Multi interrupt source) .....</i>	<i>73</i>
	<b>APPENDIX: DAUGHTER BOARD .....</b>	<b>76</b>
	<i>A1. DB-16P Isolated Input Board .....</i>	<i>76</i>
	<i>A2. DB-16R Relay Board .....</i>	<i>77</i>
	<i>A3. DB-24PR, DB-24POR and DB-24C.....</i>	<i>78</i>
	<i>A4. Daughter Board comparison Table.....</i>	<i>79</i>

# 1. Introduction

The PEX-730/730A and PISO-730U card is the new generation product that ICP DAS provides to meet RoHS compliance requirement. The PISO-730U card is designed as a drop-in replacement for the PISO-730, while the PEX-730/730A card is designed as easy replacement for the PISO-730/730A. Users can replace the PISO-730(A) by the PEX-730(A)/PISO-730U directly without software/driver modification.

PEX-730(A)/PISO-730U(-5V)/PISO-730A(-5V) cards provide 32 isolated digital I/O channels (16 x DI and 16 x DO) and 32 TTL-level digital I/O channels (16 x DI and 16 x DO). Both the isolated DI and DO channels use a short optical transmission path to transfer an electronic signal between the elements of a circuit and keep them electrically isolated. With 3750 V<sub>rms</sub> isolation protection, these DIO channels allow the input signals to be completely floated so as to prevent ground loops and isolate the host computer from damaging voltages. Each digital output offers a **NPN (Current Sinking for PEX-730/PISO-730U(-5V)/PISO-730)** or **PNP (Current Sourcing for PEX-730A/PISO-730A(-5V))** transistor and integrated suppression diode for the inductive load. The open collector outputs (DO channels) are typically used for alarm and warning notification, signal output control, control for external circuits that require a higher voltage level, and signal transmission applications, etc.

The PEX-730/730A and PISO-730U(-5V) also adds a Card ID switch on-board. Users can set Card ID and then recognize the board by the ID via software when using two or more cards in one computer.


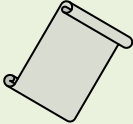


These cards support various OS versions, such as Linux, DOS, 32/64-bit Windows 10/8/7/2008/2003/XP. DLL and Active X control together with various language sample programs based on Turbo C++, Borland C++, Microsoft C++, Visual C++, Borland Delphi, Borland C++ Builder, Visual Basic, C#.NET, Visual Basic.NET and LabVIEW are provided in order to help users quickly and easily develop their own applications.


## Comparison Table

Model Name	Bus	D/I			D/O Channels		
		Non-Isolated (5V/TTL)	Isolated		Non-Isolated (5V/TTL)	Isolated	
		Channel	Channel	Input Voltage	Channel	Channel	Type
<b>PEX-730</b>	PCI Express	16	16	Logic 1: 9 ~ 24 V	16	16	Sink, NPN
<b>PISO-730U</b>	Universal PCI	16	16	Logic 1: 9 ~ 24 V	16	16	Sink, NPN
<b>PISO-730U-5V</b>	Universal PCI	16	16	Logic 1: 5 ~ 12 V	16	16	Sink, NPN
<b>PISO-730</b>	5 V PCI	16	16	Logic 1: 5 ~ 12 V	16	16	Sink, NPN
<b>PEX-730A</b>	PCI Express	16	16	Logic 1: 9 ~ 24 V	16	16	Source, PNP
<b>PISO-730A</b>	5 V PCI	16	16	Logic 1: 9 ~ 24 V	16	16	Source, PNP
<b>PISO-730A-5V</b>	5 V PCI	16	16	Logic 1: 5 ~ 12 V	16	16	Source, PNP

## 1.1 Packing List

The shipping package includes the following items:

	<p>One multi-function card as follows:</p> <table><tr><td>PEX Series</td><td>PEX-730, PEX-730A</td></tr><tr><td>PISO-730 series:</td><td>PISO-730U, PISO-730U-5V, PISO-730</td></tr><tr><td>PISO-730A series:</td><td>PISO-730A, PISO-730A-5V</td></tr></table>	PEX Series	PEX-730, PEX-730A	PISO-730 series:	PISO-730U, PISO-730U-5V, PISO-730	PISO-730A series:	PISO-730A, PISO-730A-5V
PEX Series	PEX-730, PEX-730A						
PISO-730 series:	PISO-730U, PISO-730U-5V, PISO-730						
PISO-730A series:	PISO-730A, PISO-730A-5V						
	<p>One printed Quick Start Guide</p>						
	<p>One software utility CD</p>						
	<p>One CA-4002 D-Sub Connect</p>						

 **Note:** *If any of these items are missing or damaged, please contact the local distributor for more information. Save the shipping materials and cartons in case you need to ship the card in the future.*

## 1.2 Features

---

- Support the +5V PCI bus for PISO-730(-5V)/PISO-730A(-5V)
- Support the +3.3/+5 V PCI bus for PISO-730U
- Supports PCI Express x 1 for PEX-PEX-730/PEX-730A
- 64 DIO channels (32 Isolated channels, 32 Non-isolated channels)
- 3750 V<sub>rms</sub> photo-isolated protection
- Built-in DC/DC converter with 3000 V<sub>DC</sub> isolated
- Output status readback function for PISO-730U/PEX-730/PEX-730A
- Supports Card ID (SMD Switch) for PISO-730U/PEX-730/PEX-730A
- Two Interrupt sources
- SMD, Sort card, power saving
- Supports Plug&Play to obtain I/O resources
- No more manually setting of I/O address and IRQ

## 1.3 Applications

---

- Factory automation
- Product test
- Laboratory automation

## 1.4 Specifications

### 1.4.1 PEX-730/PISO-730U(-5V)/PISO-730

Model Name		PEX-730	PISO-730U	PISO-730	PISO-730U-5V
<b>Digital Input</b>					
Isolation Voltage		3750 V <sub>rms</sub>			
Channels	Isolated	16			
	Non-Isolated	16			
Compatibility	Isolated	Optical			
	Non-Isolated	5V/TTL			
Input Voltage	Isolated	Logic 0: 0 ~ 1 V Logic 1: 9 ~ 24 V (Logic 1: Min. 7 V; Max. 30 V)			Logic 0: 0 ~ 1 V Logic 1: 5 ~ 12 V (Logic 1: Min. 3.5 V; Max. 16 V)
	Non-Isolated	Logic 0: 0.8 V max. Logic 1: 2.0 V min.			
Input Impedance		1.2 K $\Omega$ , 1 W			
Response Speed	Isolated	4 kHz (Typical)			
	Non-Isolated	500 kHz	1.2 MHz		
<b>Digital Output</b>					
Isolation Voltage		3750 V <sub>rms</sub>			
Channels	16	16			
	16	16			
Compatibility	Isolated	Sink, Open Collector			
	Non-Isolated	5V/TTL			
Output Voltage	Non-Isolated	Logic 0: 0.4 V max. Logic 1: 2.4 V min.			
Output Capability	Isolated	100 mA/+30 V for one channel @ 100% duty			
	Non-Isolated	Sink: 2.4 mA @ 0.8 V Source: 0.8 mA @ 2.0 V			
Response Speed	Isolated	4 kHz (Typical)			
	Non-Isolated	500 kHz	500 kHz		



Model Name	PEX-730	PISO-730U	PISO-730	PISO-730U-5V
<b>General</b>				
Bus Type	PCI Express x 1	3.3 V / 5 V Universal PCI, 32-bit, 33 MHz	5 V PCI, 32-bit, 33 MHz	3.3 V / 5 V Universal PCI, 32-bit, 33 MHz
Data Bus	8-bit			
Card ID	Yes (4-bit)		-	Yes (4-bit)
I/O Connector	Female DB37 x 1 20-pin box header x 2			
Dimensions (L x W x D)	163 mm x 116 mm x 22 mm	180 mm x 105 mm x 22 mm		
Power Consumption	600 mA @ +5 V			
Operating Temperature	0 ~ 60 °C			
Storage Temperature	-20 ~ 70 °C			
Humidity	5 ~ 85% RH, non-condensing			

## 1.4.2 PEX-730A/PISO-730A (-5V)

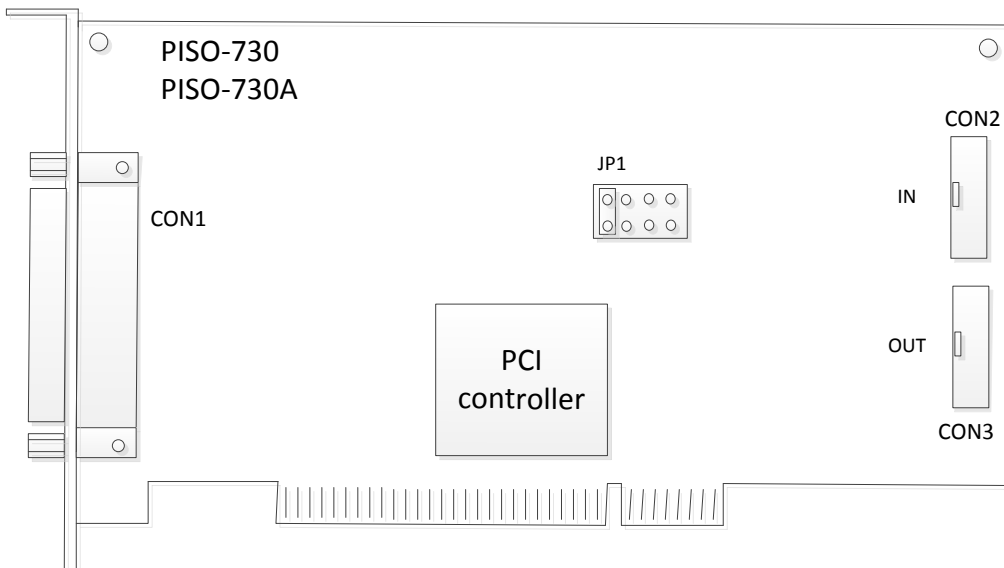
Model Name		PEX-730A	PISO-730A	PISO-730A-5V
<b>Digital Input</b>				
Isolation Voltage		3750 V <sub>rms</sub>		
Channels	Isolated	16		
	Non-Isolated	16		
Compatibility	Isolated	Optical		
	Non-Isolated	5V/TTL		
Input Voltage	Isolated	Logic 0: 0 ~ 1 V Logic 1: 9 ~ 24 V (Logic 1: Min. 7 V; Max. 30 V)	Logic 0: 0 ~ 1 V Logic 1: 5 ~ 12 V (Logic 1: Min. 3.5 V; Max. 16 V)	
	Non-Isolated	Logic 0: 0.8 V max. Logic 1: 2.0 V min.		
Input Impedance		1.2 K $\Omega$ , 1 W		
Response Speed	Isolated	4 kHz (Typical)		
	Non-Isolated	1.2 MHz		
<b>Digital Output</b>				
Isolation Voltage		3750 V <sub>rms</sub>		
Channels	16	16		
	16	16		
Compatibility	Isolated	Source, Open Collector		
	Non-Isolated	5V/TTL		
Output Voltage	Non-Isolated	Logic 0: 0.4 V max. Logic 1: 2.4 V min.		
Output Capability	Isolated	100 mA/+30 V for one channel @ 100% duty		
	Non-Isolated	Sink: 2.4 mA @ 0.8 V Source: 0.8 mA @ 2.0 V		
Response Speed	Isolated	4 kHz (Typical)		
	Non-Isolated	1.2 MHz		

Model Name	PEX-730A	PISO-730A	PISO-730A-5V
<b>General</b>			
Bus Type	PCI Express x 1	5 V PCI, 32-bit, 33 MHz	
Data Bus	8-bit		
Card ID	Yes (4-bit)	-	
I/O Connector	Female DB37 x 1 20-pin box header x 2		
Dimensions (L x W x D)	163 mm x 110 mm x 22 mm	180 mm x 105 mm x 22 mm	
Power Consumption	640 mA @ +5 V		
Operating Temperature	0 ~ 60 °C		
Storage Temperature	-20 ~ 70 °C		
Humidity	5 ~ 85% RH, non-condensing		

## 2. Hardware Configuration

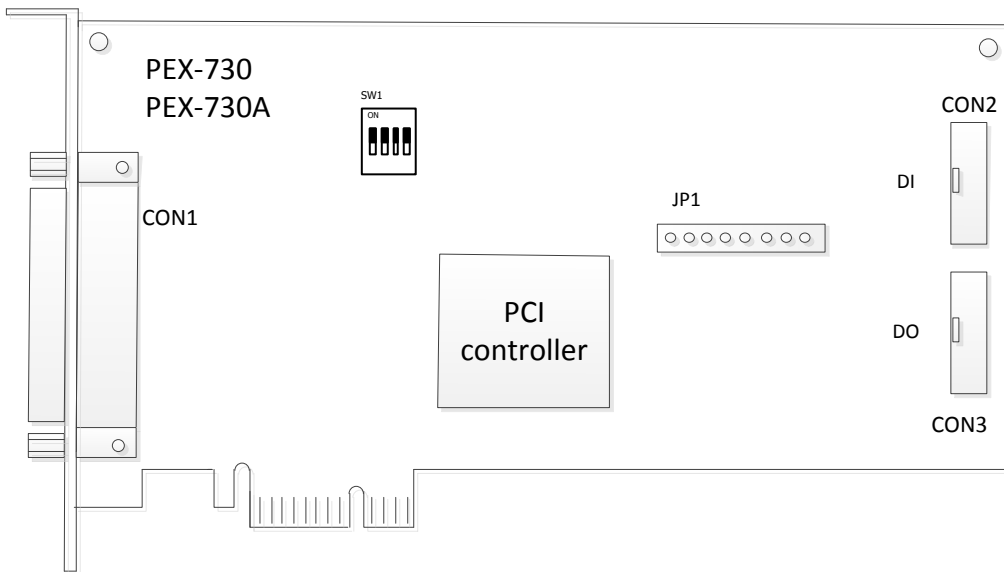
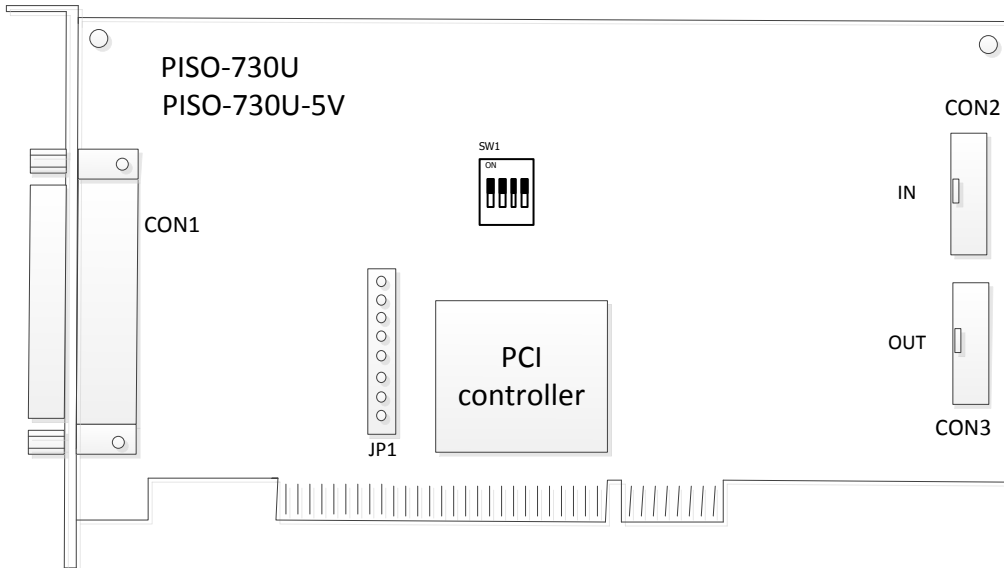
### 2.1 Board Layout

#### 2.1.1 PISO-730/PISO-730A(-5V)



<b>CON1</b>	The terminal for isolation digital input/output	Refer to <a href="#">Sec.2.5</a> for more detailed about pin assignments information.
<b>CON2</b>	The terminal for TTL digital input	
<b>CON3</b>	The terminal for TTL digital output	
<b>JP1</b>	Reserved	-

## 2.1.2 PISO-730U(-5V)/PEX-730/PEX-730A



<b>CON1</b>	The terminal for isolation digital input/output	Refer to <a href="#">Sec.2.5</a> for more detailed about pin assignments information.
<b>CON2</b>	The terminal for TTL digital input	
<b>CON3</b>	The terminal for TTL digital output	
<b>JP1</b>	Reserved	-
<b>SW1</b>	Card ID function	Refer to <a href="#">Sec.2.4</a>

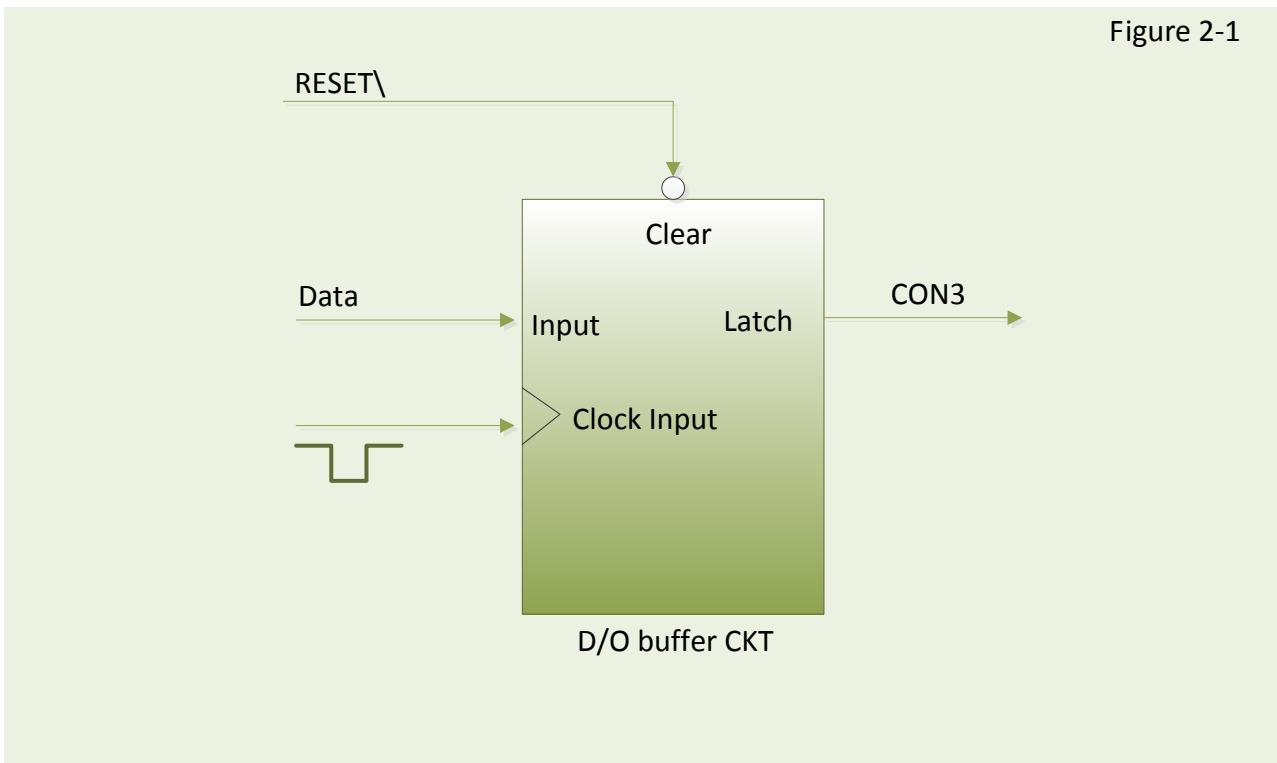
## 2.2 I/O Operation

### 2.2.1 Non-Isolation D/O Port Architecture (CON3)

When the PC is powered-up, all operations of non-isolated DO states are cleared to low state. The RESET\ signal is used to clear non-isolated DO states. Refer to [Sec. 6.3.1](#) for more information about the RESET\ signal.

- The RESET\ is in Low-state → all non-isolated DO states are clear to low state

The block diagram of Non-isolated DO is as follows:

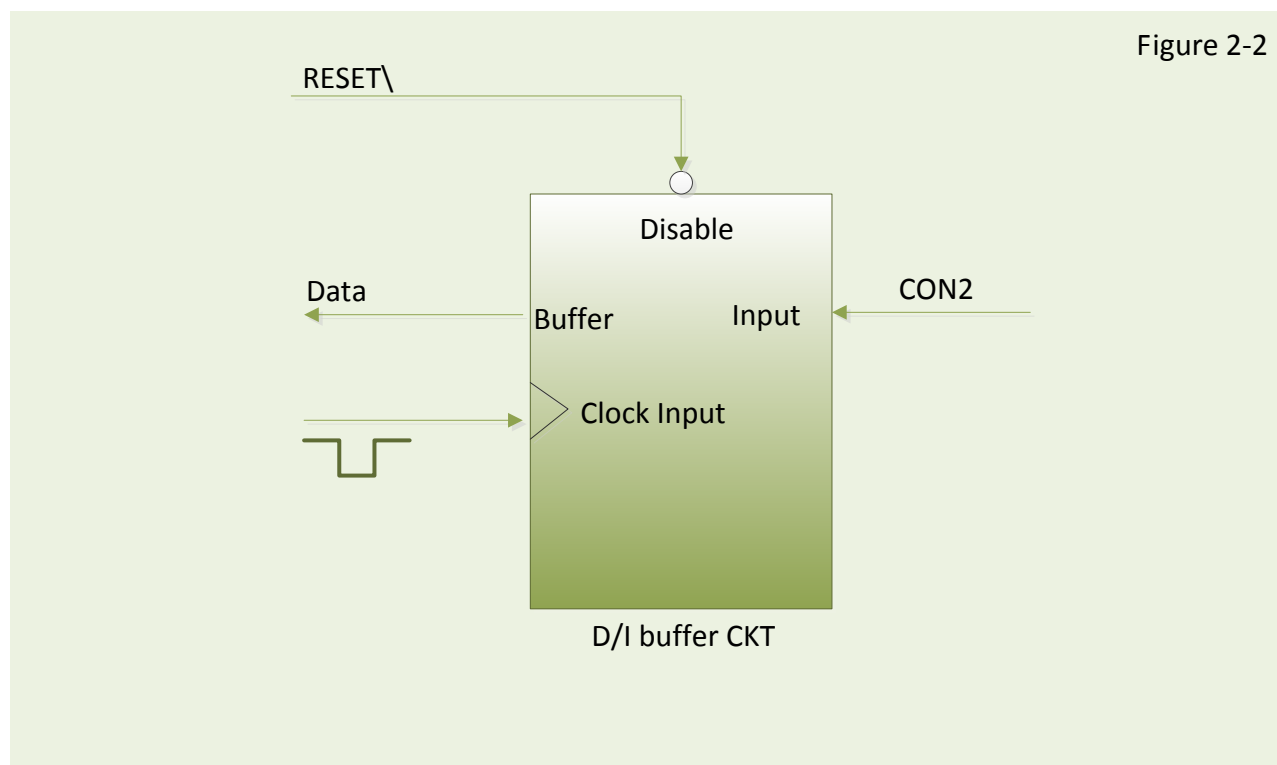


## 2.2.2 Non-Isolation D/I Port Architecture (CON2)

When the PC is powered-up, non-isolated DI port operations are disabled. The enable/disable for non-isolated DI ports is controlled by the RESET\ signal. Refer to [Sec. 6.3.1](#) for more information about the RESET\ signal.

- The RESET\ is in Low-state → all non-isolated DI operation are disabled
- The RESET\ is in High-state → all non-isolated DI operation are enabled

The block diagram of Non-isolated DI is as follows:



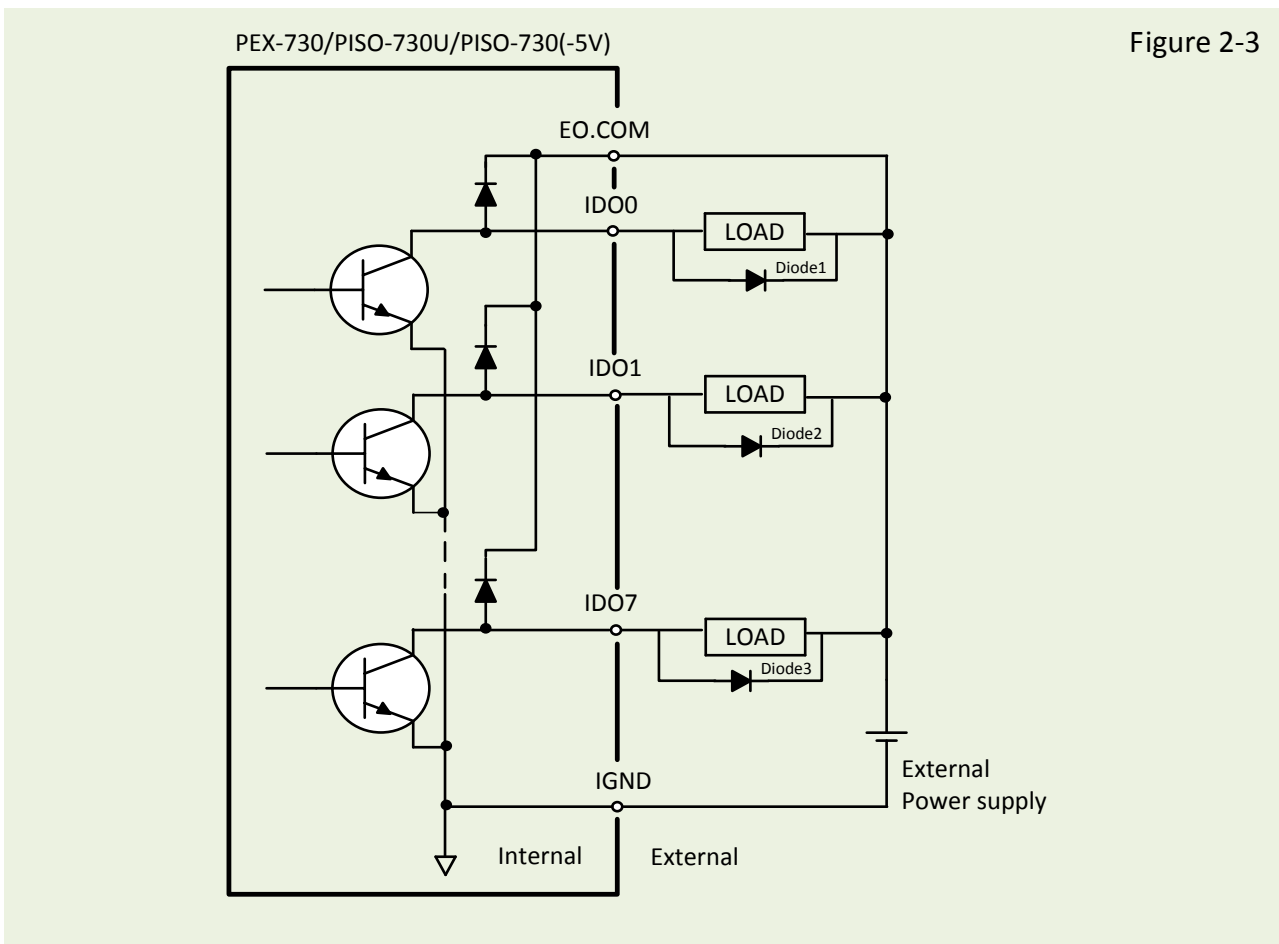
## 2.2.3 Isolation D/O Port Architecture (CON1)

When the PC is powered-up, all operations of isolated DO states are cleared to low state. The RESET\ signal is used to clear isolated DO states. Refer to [Sec. 6.3.1](#) for more information about RESET\ signal.

➤ **The RESET\ is in Low-state → all isolated DO states are clear to low state**

Each eight open-collector output channel shares EO.COM (IDO0 to IDO7 use EO.COM1 and IDO8 to IDO15 use EO.COM2)

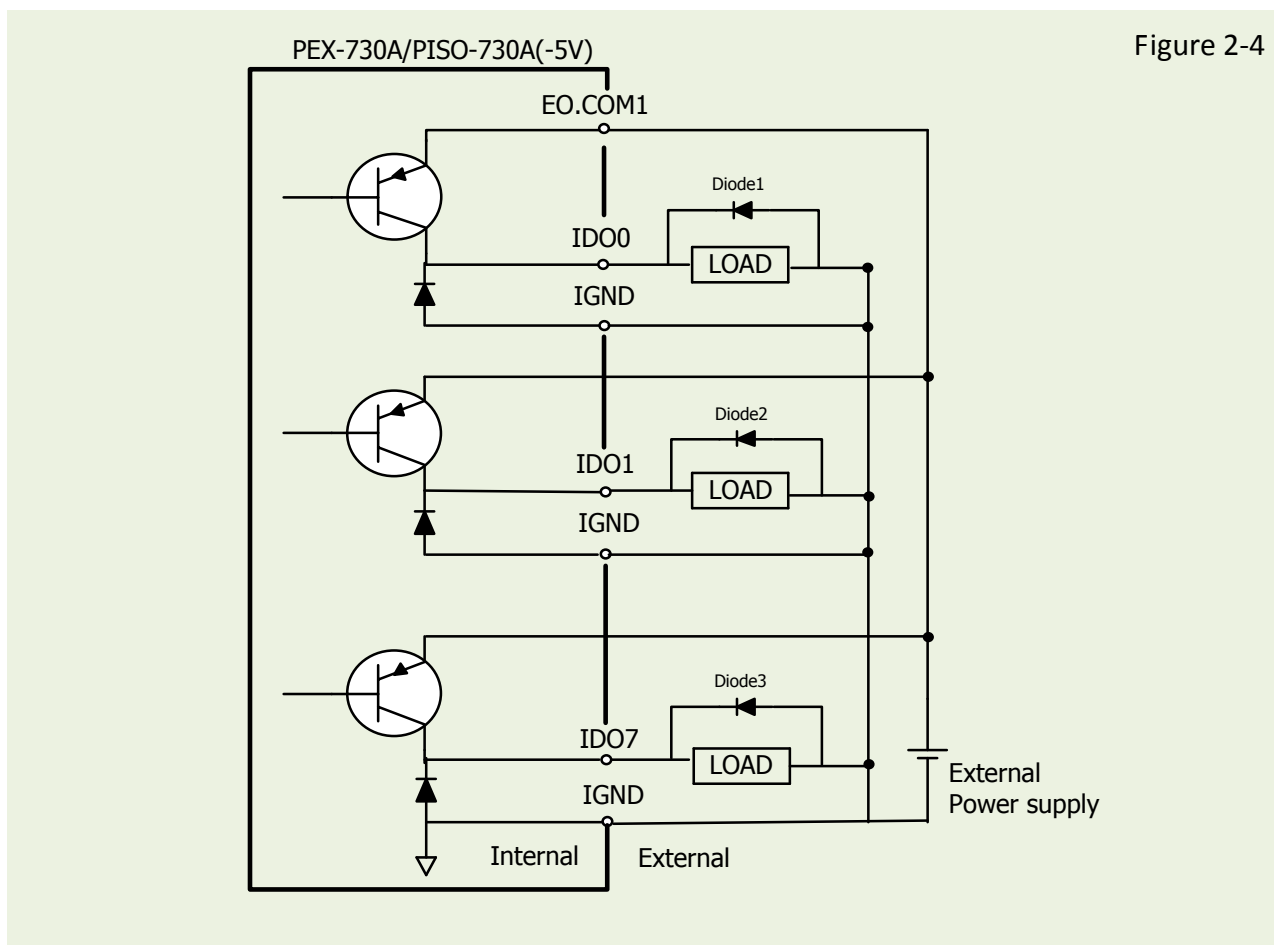
**The block diagram of isolated DO (Current Sinking) is as follows:**



*(Recommend: It is necessary to connect a diode (..3..). In the external device end as means of preventing damage form the counter emf. If your external device is inductive load, Ex. Relay...etc.)*



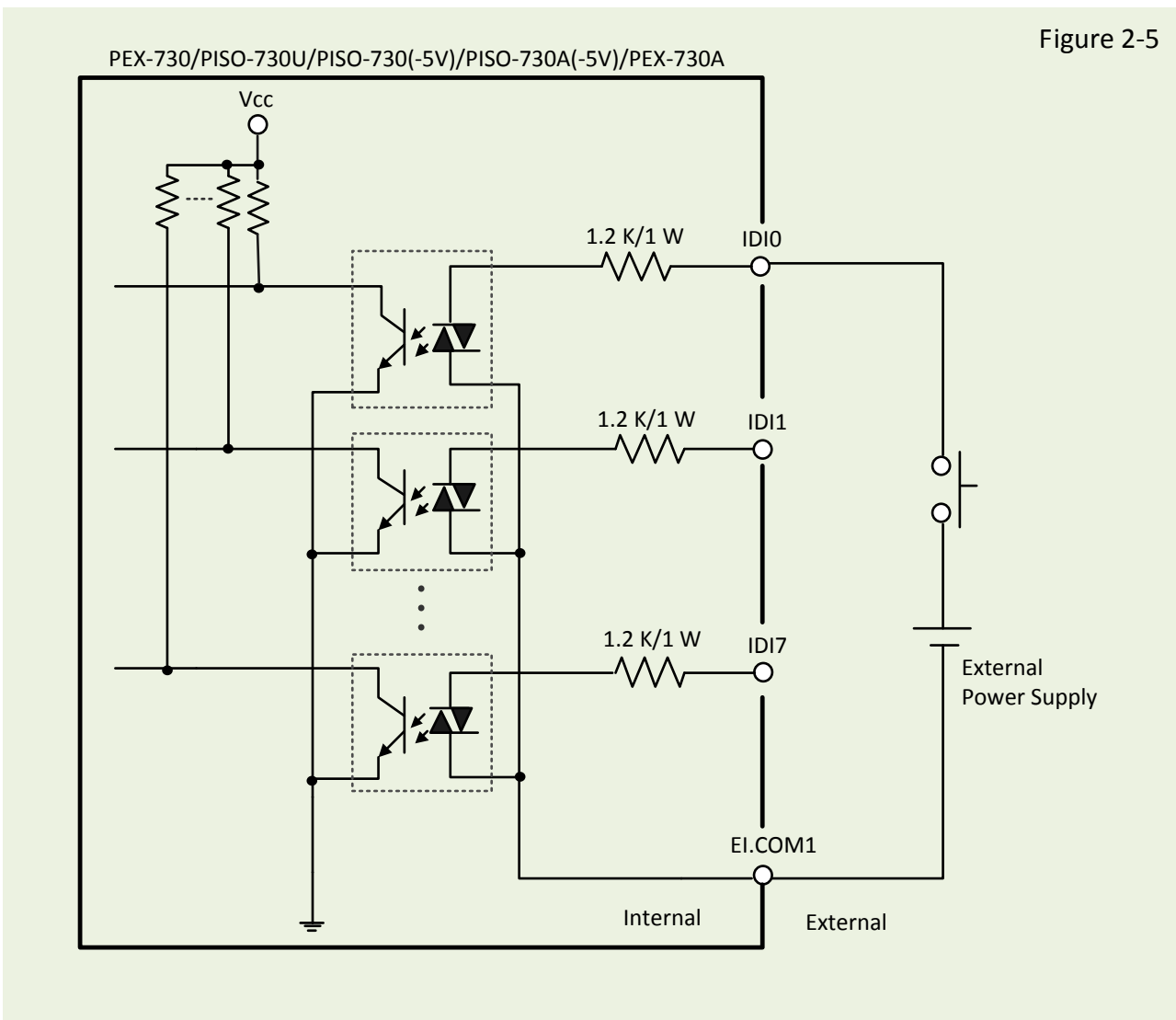
The block diagram of isolated DO (Current Sourcing) is as follows:



*(Recommend: It is necessary to connect a diode (..3..). In the external device end as means of preventing damage form the counter emf. If your external device is inductive load, Ex. Relay...etc.)*

## 2.2.4 Isolation D/I Port Architecture (CON1)

The PISO-730 series cards provide 16-channel isolated digital input. The **PEX-730**, **PEX-730A**, **PISO-730U**, **PISO-730** and **PISO-730A** each of the isolated digital input can accept **voltages from +9 V<sub>Dc</sub> to +30 V<sub>Dc</sub>**. The **PISO-730U-5V** and **PISO-730A-5V** each of the isolated digital input can accept **voltages from +5 V<sub>Dc</sub> to +12 V<sub>Dc</sub>**. Each eight input channels share one external common end point. (IDI0 to IDI7 use EI.COM1 and IDI8 to IDI15 use EI.COM2)



## 2.3 Interrupt Operation

---

There are two interrupt sources in PISO-730 series cards. These two signals are named as INT\_CHAN\_0 and INT\_CHAN\_1. Their signal sources are given as follows:

**INT\_CHAN\_0: DIO**

**INT\_CHAN\_1: DI1**

If only one interrupt signal source is used, the interrupt service routine does not have to identify the interrupt source. Refer to [Sec. 7.2.3 DEMO3.C](#) and [Sec. 7.2.4 DEMO4.C](#) for more information.

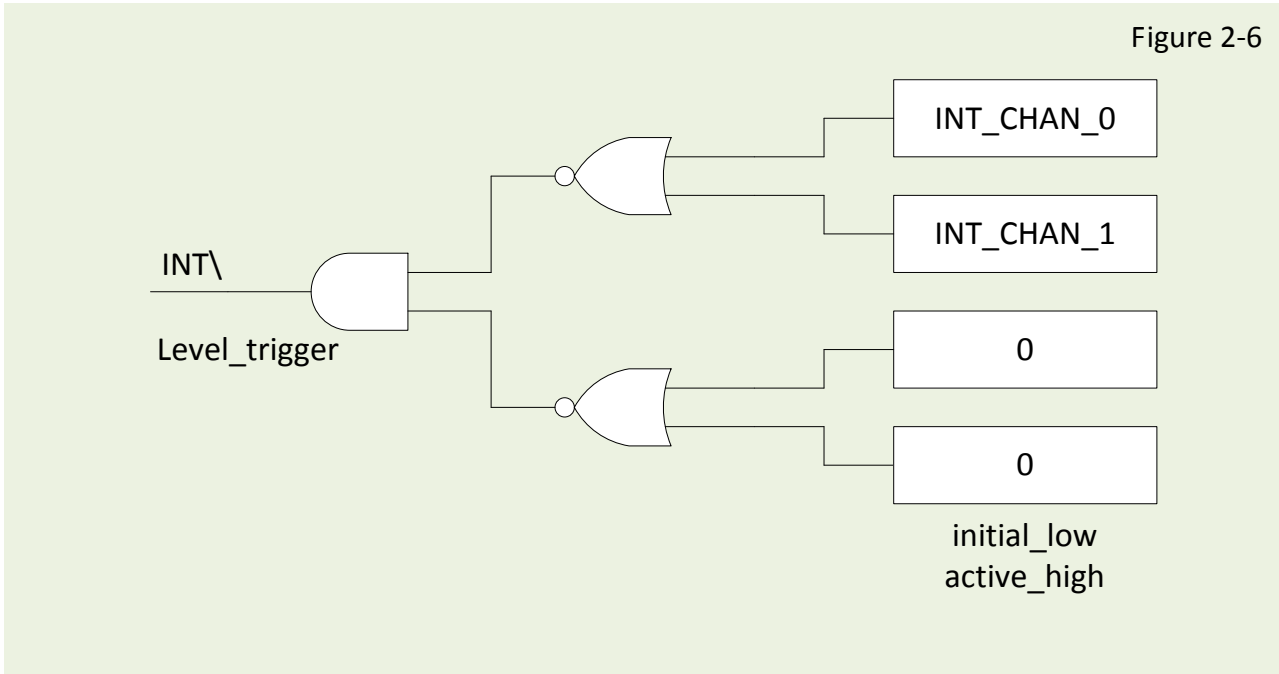
If there is more than one interrupt source, the interrupt service routine will identify the active signals as follows: (refer to [Sec. 7.2.5 DEMO5.C](#))

1. Reads the new status of all interrupt signal sources (refer to [Sec. 6.3.5](#))
2. Compares the new status with the old status to identify the active signals
3. If INT\_CHAN\_0 is active, services it
4. If INT\_CHAN\_1 is active, services it
5. Updates interrupt status



*Note: If the interrupt signal is too short, the new status may be as same as old status. In that condition, the interrupt service routine cannot identify which interrupt source is active. So the interrupt signal must be hold\_active long enough until the interrupt service routine is executed. This hold\_time is different for different O.S. The hold\_time can be as short as a micro-second or as long as a second. In general, 20 ms is enough for any O. S.*

## 2.3.1 Interrupt Block Diagram



The interrupt output signal of PISO-730 series cards, INT\ is a **level-trigger, Active\_Low signal**. If the INT\ generates a low-pulse, the PISO-730 will interrupt the PC once a time. If the INT\ is fixed in low level, the PISO-730 series cards will interrupt the PC continuously. So the INT\_CHAN\_0/1 must be controlled by **pulse\_type** signals. **They must be fixed in low-level state normally and generate a high\_pulse to interrupt the PC.**

The priority of INT\_CHAN\_0/INT\_CHAN\_1 is the same. If these two signals are active at the same time, then INT\ will be activated only once. So the interrupt service routine has to read the status of all interrupt channels for a multi-channel interrupt. Refer to [Sec. 2.3.6](#) for more information.

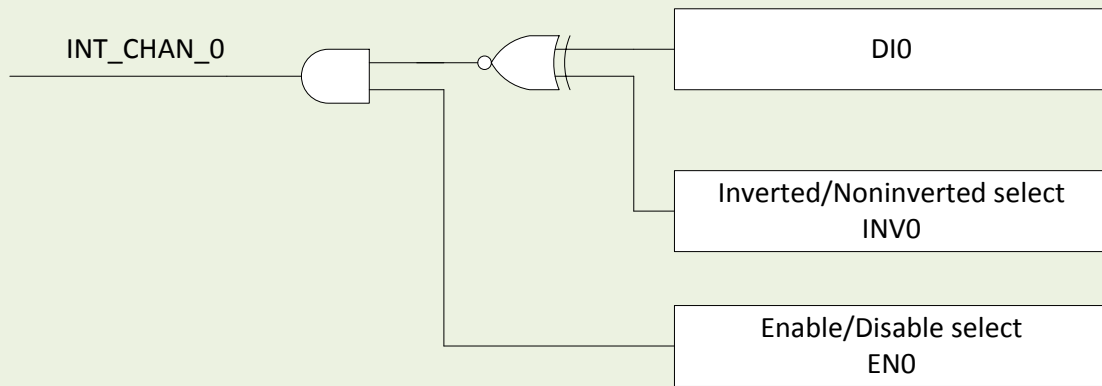
[Sec. 7.2.5 DEMO5.C](#) → for multi-channel interrupt source

If only one interrupt source is used, the interrupt service routine doesn't have to read the status of interrupt source. The demo programs [Sec. 7.2.3 DEMO3.C](#) and [Sec. 7.2.4 DEMO4.C](#) are designed for single-channel interrupt demo as follows:

[Sec. 7.2.3 DEMO3.C](#) and [Sec. 7.2.4 DEMO4.C](#) → for INT\_CHAN\_0 only

## 2.3.2 INT\_CHAN\_0

Figure 2-7



The INT\_CHAN\_0 must be fixed in a normal, low-level state and generate a high\_pulse to interrupt the PC.

The ENO can be used to enable/disable the INT\_CHAN\_0 as follows: (Refer to [Sec. 6.3.4](#))

ENO=0 →INT\_CHAN\_0=disable

ENO=1 →INT\_CHAN\_0=enable

The INVO can be used to invert/non-invert the DIO as follows: (Refer to [Sec. 6.3.6](#))

INVO=0→INT\_CHAN\_0=invert state of DIO

INVO=1→INT\_CHAN\_0=non-invert state of DIO

Refer to the following demo program for more information:

[Sec. 7.2.3 DEMO3.C](#) → for INT\_CHAN\_0 (initial high)

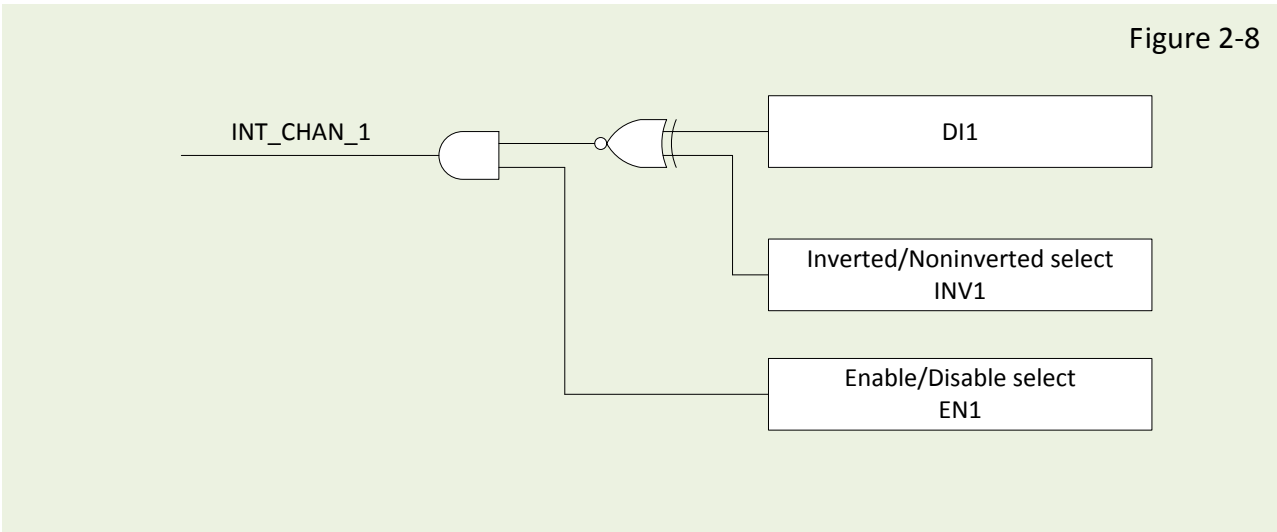
[Sec. 7.2.4 DEMO4.C](#) → for INT\_CHAN\_0 (initial low)

[Sec. 7.2.5 DEMO5.C](#) → for multi-channel interrupt source



*Note: Refer to [Section 2.3.4](#) and [Section 2.3.5](#) for active high-pulse generation.*

### 2.3.3 INT\_CHAN\_1



The INT\_CHAN\_1 must be fixed in a normal low-level state and generated a high\_pulse to interrupt the PC.

The EN1 can be used to enable/disable the INT\_CHAN\_1 as follows: (Refer to [Sec. 6.3.4](#))

EN1=0 →INT\_CHAN\_1=disable

EN1=1 →INT\_CHAN\_1=enable

The INV1 can be used to invert/non-invert the DI1 as follows: (Refer to [Sec. 6.3.6](#))

INV1=0→INT\_CHAN\_1=invert state of DI1

INV1=1→INT\_CHAN\_1=non-invert state of DI1

Refer to demo program for more information as follows:

[Sec. 7.2.3 DEMO3.C](#) → for INT\_CHAN\_0 (initial high)

[Sec. 7.2.4 DEMO4.C](#) → for INT\_CHAN\_0 (initial low)

[Sec. 7.2.5 DEMO5.C](#) → for multi-channel interrupt source



**Note:** Refer to [Sec. 2.3.4](#) and [Sec. 2.3.5](#) for active high-pulse generation.

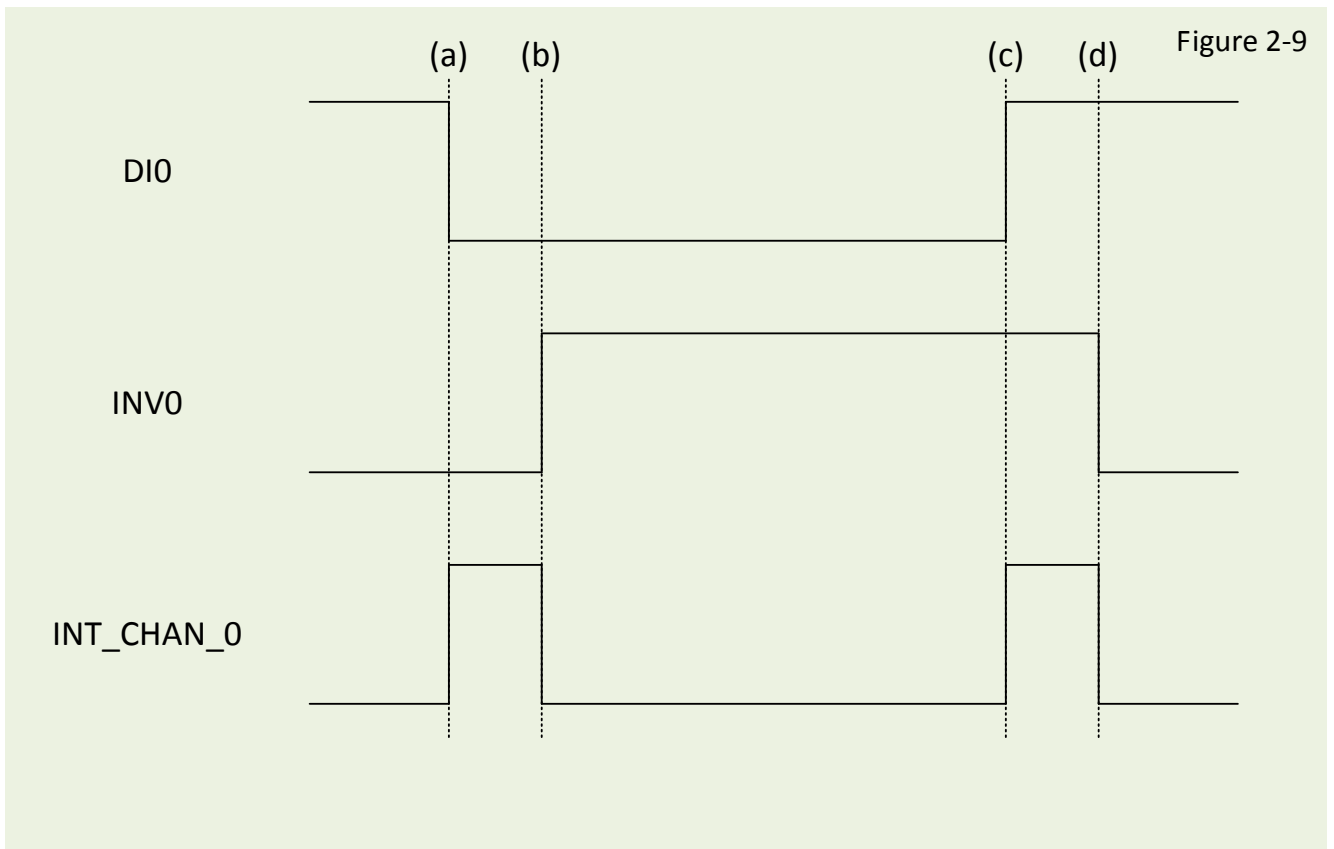
## 2.3.4 Initial\_High, Active\_Low Interrupt Source

If the DIO is an initial\_high, active\_low signal, the interrupt service routine should use INVO to invert/non-invert the DIO for high\_pulse generation as follows: (Refer to [Sec. 7.2.3 DEMO3.C](#) and the DI1 is similarly)

### Initial set:

```
now_int_state=1;          /* initial state for DIO    */
outportb(wBase+0x2a,0);  /* select the inverted DIO  */
```

```
void interrupt irq_service()
{
if (now_int_state==1)      /* now DIO is changed to LOW, refer to Figure 2-9 */(a)
{
    COUNT_L++;           /* → INT_CHAN_0=!DIO=HIGH now    */
    /* find a LOW_pulse (DIO)    */
    If((inport(wBase+7)&1)==0) /* the DIO is still fixed in LOW    */
    {
        /* → needs to generate a high_pulse    */
        outportb(wBase+0x2a,1); /* INVO select the non-inverted input, refer to Figure 2-9 */(b)
        /* INT_CHAN_0=DIO=LOW -->    */
        /* INT_CHAN_0 generate a high_pulse    */
        now_int_state=0;    /* now DIO=LOW    */
    }
    else now_int_state=1;  /* now DIO=HIGH    */
    /* doesn't have to generate high_pulse    */
}
else                       /* now DIO is changed to HIGH, refer to Figure 2-9 */(c)
{
    COUNT_H++;           /* → INT_CHAN_0=DIO=HIGH now    */
    /* find a HIGH_pulse (DIO)    */
    If((inport(wBase+7)&1)==1) /* the DIO is still fixed in HIGH    */
    {
        /* needs to generate a high_pulse    */
        outportb(wBase+0x2a,0); /* INVO select the inverted input, refer to Figure 2-9 */(d)
        /* INT_CHAN_0=!DIO=LOW →    */
        /* INT_CHAN_0 generate a high_pulse    */
        now_int_state=1;    /* now DIO=HIGH    */
    }
    else now_int_state=0;  /* now DIO=LOW    */
    /* doesn't have to generate high_pulse    */
}
if (wIrq>=8) outportb(A2_8259,0x20);
outportb(A1_8259,0x20);
```





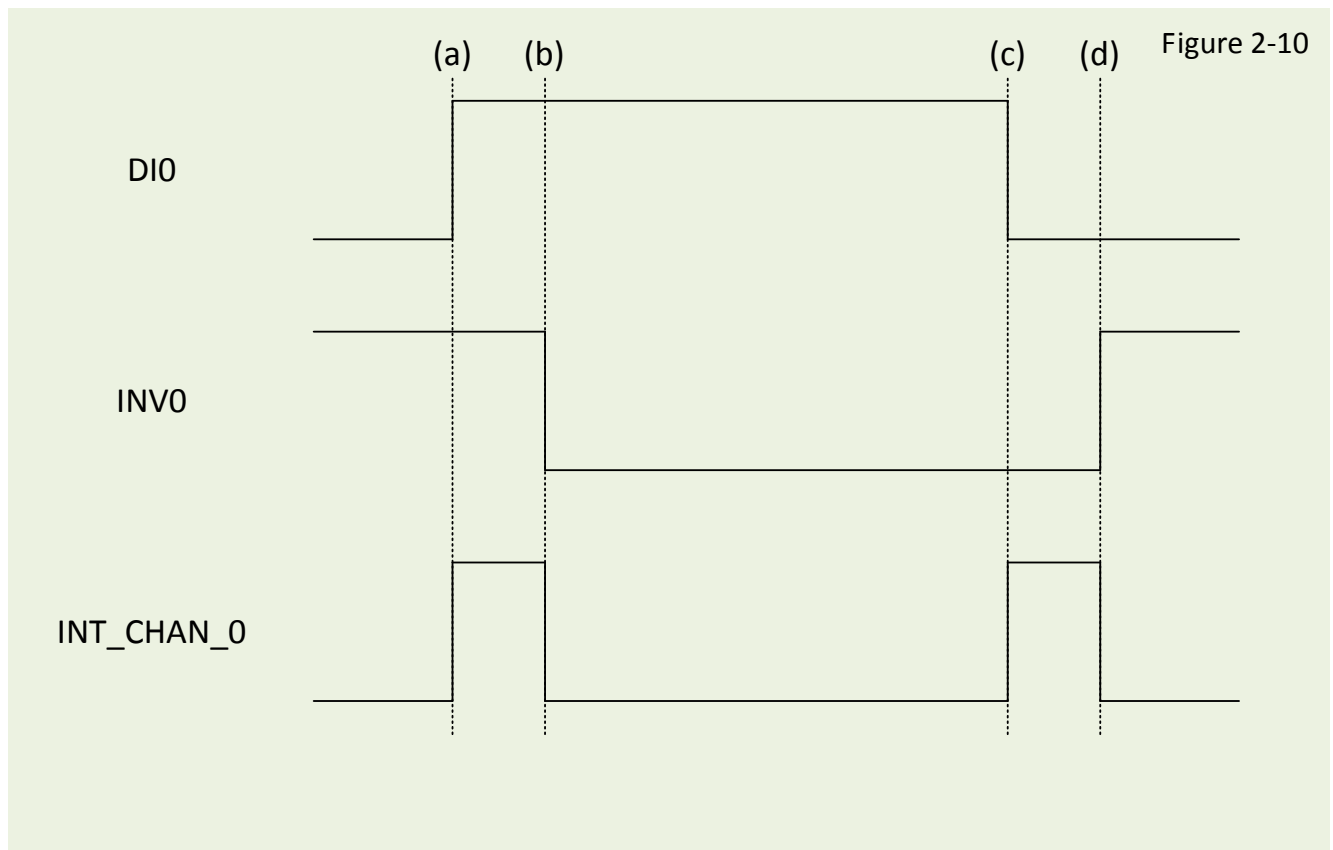
## 2.3.5 Initial\_Low, Active\_High Interrupt Source

If the DIO is an initial\_low, active\_high signal, the interrupt service routine should use INVO to invert/non-invert the DIO for high\_pulse generation as follows: (Refer to [Sec. 7.2.4 DEMO4.C](#) and the DI1 is similarly)

### Initial set:

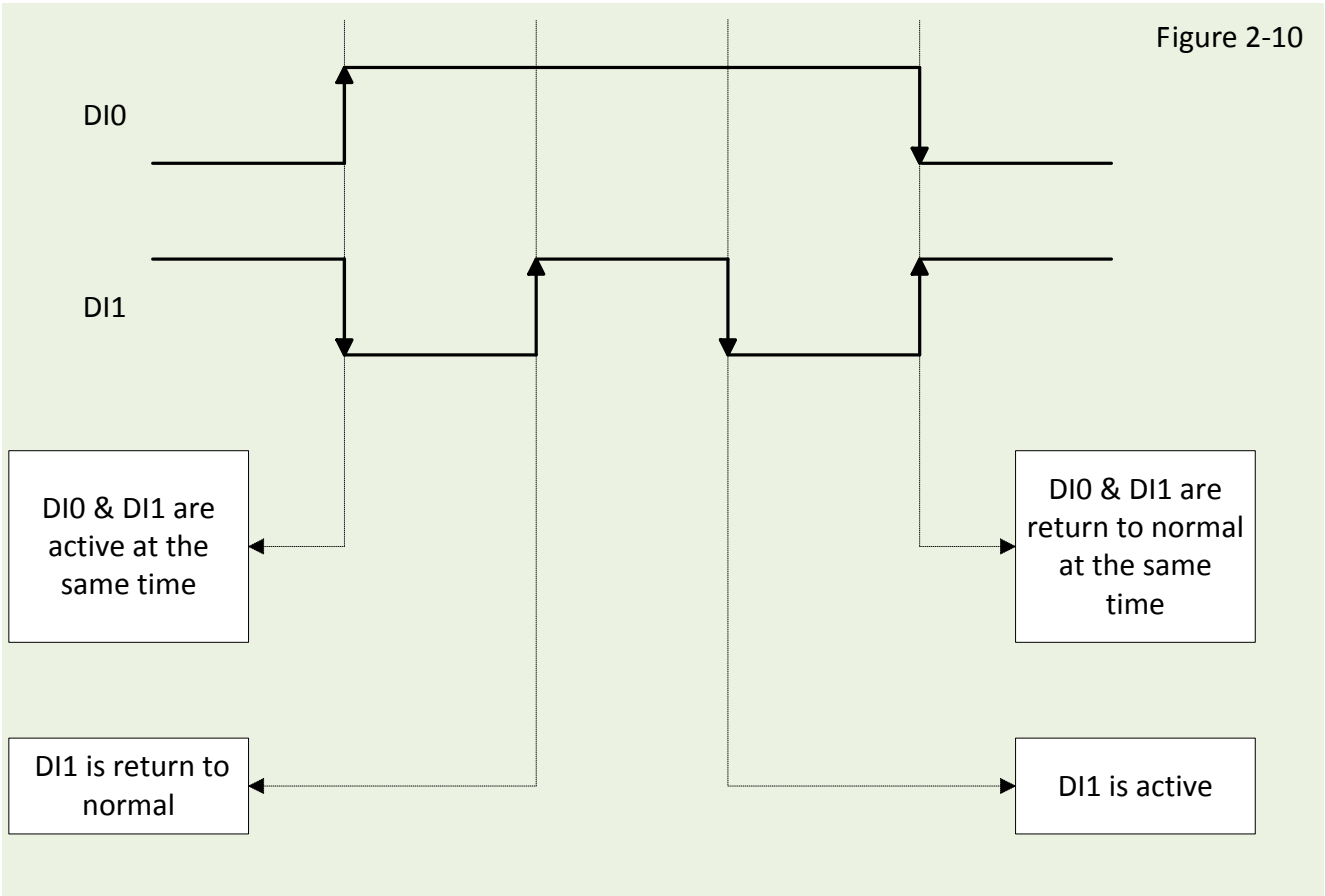
```
now_int_state=0;          /* initial state for DIO */
outportb(wBase+0x2a,1);  /* select the non-inverted DIO */
```

```
void interrupt irq_service()
{
if (now_int_state==1)
    /* now DIO is changed to LOW, refer to Figure 2-10 */(c)
    {
    /* → INT_CHAN_0=!DIO=HIGH now */
    COUNT_L++;          /* find a LOW_pulse (DIO) */
    If((inport(wBase+7)&1)==0) /* the DIO is still fixed in LOW */
    {
    /* → needs to generate a high_pulse */
    outportb(wBase+0x2a,1); /* INVO select the non-inverted input, refer to Figure 2-10 */(d)
    /* INT_CHAN_0=DIO=LOW → */
    /* INT_CHAN_0 generate a high_pulse */
    now_int_state=0;      /* now DIO=LOW */
    }
    else now_int_state=1; /* now DIO=HIGH */
    /* doesn't have to generate high_pulse */
    }
else
    /* now DIO is changed to HIGH, refer to Figure 2-10 */(a)
    {
    /* → INT_CHAN_0=DIO=HIGH now */
    COUNT_H++;          /* find a High_pulse (DIO) */
    If((inport(wBase+7)&1)==1) /* the DIO is still fixed in HIGH */
    {
    /* needs to generate a high_pulse */
    outportb(wBase+0x2a,0); /* INVO select the inverted input, refer to Figure 2-10 */(b)
    /* INT_CHAN_0=!DIO=LOW → */
    /* INT_CHAN_0 generate a high_pulse */
    now_int_state=1;      /* now DIO=HIGH */
    }
    else now_int_state=0; /* now DIO=LOW */
    /* doesn't have to generate high_pulse */
    }
if (wIrq>=8) outportb(A2_8259,0x20);
outportb(A1_8259,0x20);
```



## 2.3.6 Multiple Interrupt Source

Assume: DI0 is initial Low, active High  
DI1 is initial High, active Low  
as follows:



Refer to [Sec. 7.2.5 DEMO5.C](#) for source program. **These three falling-edge and rising-edge scenarios can be detected by [Sec. 7.2.5 DEMO5.C](#).**



*Note: When the interrupt is active, the user program has to identify the active signals. More than one signal may be simultaneously. The interrupt service routine has to service all active signals at the same time.*

**Initial set:**

```
now_int_state=0x2;      /* Initial state: DIO at low level, DI1 at high level */
invert=0x1;            /* non-invert DIO & invert DI1 */
outportb(wBase+0x2a,invert);
```

```
void interrupt irq_service()
{
new_int_state=inportb(wBase+7)&0x03; /* read all interrupt state */
int_c=new_int_state^now_int_state; /* compare which interrupt */
/* signal has changed */

if ((int_c&0x1)!=0) /* INT_CHAN_0 is active */
{
if ((new_int_state&0x01)!=0) /* now DIO changes to high */
{
CNT_H1++;
} else /* now DIO changes to low */
{
CNT_L1++;
} invert=invert^1; /* to generate a high pulse */
}
if ((int_c&0x2)!=0)
{ if ((new_int_state&0x02)!=0) /* now DI1 change to high */
{
CNT_H2++;
} else /* now DI1 changes to low */
{
CNT_L2++;
} invert=invert^2; /* to generate a high pulse */
}
now_int_state=new_int_state;
outportb(wBase+0x2a,invert);
if (wlrq>=8) outportb(A2_8259,0x20);
outportb(A1_8259,0x20);
}
```

## 2.4 Card ID Switch

The PEX-730 PEX-730A and PISO-730U has a Card ID switch (SW1) with which users can recognize the board by the ID via software when using two or more PEX-730、PEX-730A and PISO-730U cards in one computer. The default Card ID is 0x0. For detail SW1 Card ID settings, please refer to Table 2.1. **Note that the Card ID function is only supported by the PEX-730、PEX-730A and PISO-730U.**

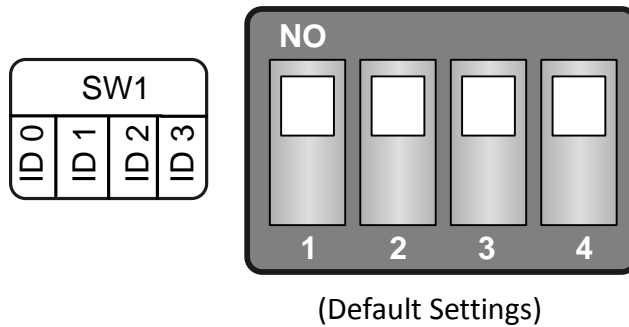


Table 2.1 (\*) Default Settings; OFF → 1; ON → 0

Card ID (Hex)	1 ID0	2 ID1	3 ID2	4 ID3
(*) 0x0	ON	ON	ON	ON
0x1	OFF	ON	ON	ON
0x2	ON	OFF	ON	ON
0x3	OFF	OFF	ON	ON
0x4	ON	ON	OFF	ON
0x5	OFF	ON	OFF	ON
0x6	ON	OFF	OFF	ON
0x7	OFF	OFF	OFF	ON
0x8	ON	ON	ON	OFF
0x9	OFF	ON	ON	OFF
0xA	ON	OFF	ON	OFF
0xB	OFF	OFF	ON	OFF
0xC	ON	ON	OFF	OFF
0xD	OFF	ON	OFF	OFF
0xE	ON	OFF	OFF	OFF
0xF	OFF	OFF	OFF	OFF

## 2.5 Pin Assignments


The Pin assignments of CON1, CON2 and CON3 on the PISO-730 series cards are represented in the figure below.

- CON2/CON3: 20-pin flat-cable headers for 5V/TTL digital input/output.

CON2/COM3 are TTL compatible	
<b>High (1)</b>	2.0 ~ 5.0 V (Voltage over 5.0 V will damage the device)
<b>None Define</b>	2.0 V ~ 0.8 V
<b>Low (0)</b>	Under 0.8 V


- CON1: 37-pin D-type female connector isolation digital for input/output.

Pin Assignment	Terminal No.	Pin Assignment
IDI_0	01	IDI_1
IDI_2	02	IDI_3
IDI_4	03	IDI_5
IDI_6	04	IDI_7
IDI_8	05	IDI_9
IDI_10	06	IDI_11
IDI_12	07	IDI_13
IDI_14	08	IDI_15
EI.COM1	09	EI.COM2
EO.COM1	10	IGND
IDO_0	11	IDO1
IDO_2	12	IDO3
IDO_4	13	IDO5
IDO_6	14	IDO7
IDO_8	15	IDO9
IDO_10	16	IDO11
IDO_12	17	IDO13
IDO_14	18	IDO15
EO.COM2	19	




CON1

Pin Assignment	Terminal No.	Pin Assignment
DI 0	01	DI 1
DI 2	03	DI 3
DI 4	05	DI 5
DI 6	07	DI 7
DI 8	09	DI 9
DI 10	11	DI 11
DI 12	13	DI 13
DI 14	15	DI 15
GND	17	GND
+5V	19	+12V




CON2

Pin Assignment	Terminal No.	Pin Assignment
DO 0	01	DO 1
DO 2	03	DO 3
DO 4	05	DO 5
DO 6	07	DO 7
DO 8	09	DO 9
DO 10	10	DO 11
DO 12	12	DO 13
DO 14	14	DO 15
GND	16	GND
+5V	18	+12V



CON3

### 3. Hardware Installation

 *Note: As certain operating systems, such as Windows XP may require the computer to be restarted after a new driver is installed, it is recommended that the driver is installed first, which will reduce the installation time.*

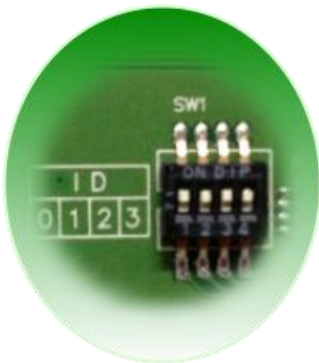
Follow the process described below to install your PISO-730 series card:

**Step 1: Install the PISO-730 series card driver on your computer.**



For detailed information regarding driver installation, refer to [Chapter 4 Software Installation](#).

**Step 2: Configuring Card ID by the SW1 DIP-Switch.**



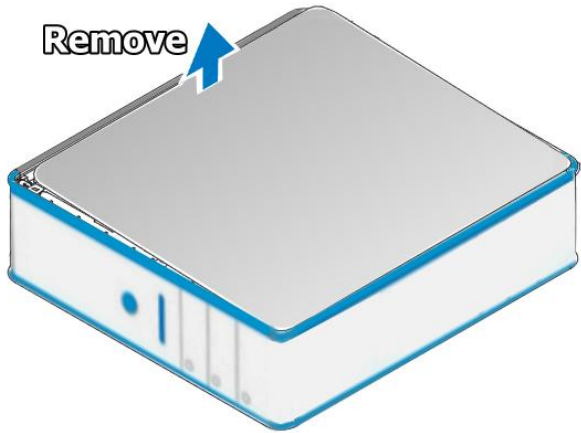
For detailed information about the card ID (SW1), please refer to [Section 2.4 Car ID Switch](#).

 *Note that the Card ID function only supports PEX-730 , PEX-730A and PISO-730U.*

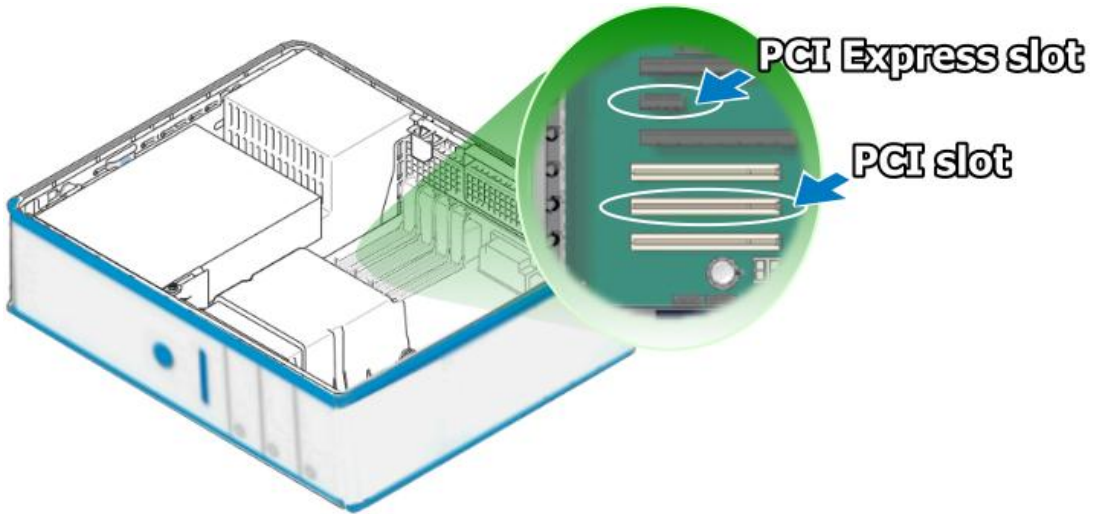


**Step 3: Correctly shut down and power off your computer, and then disconnect the power supply.**

**Step 4: Remove the cover from the computer.**

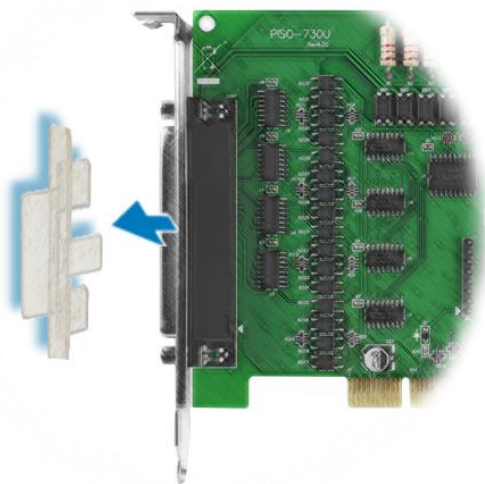
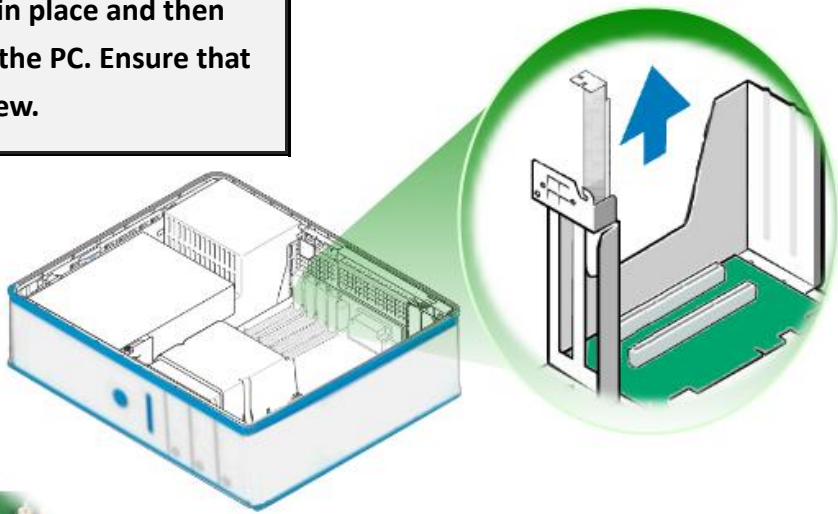


**Step 5: Select an empty PCI/PCI Express slot.**



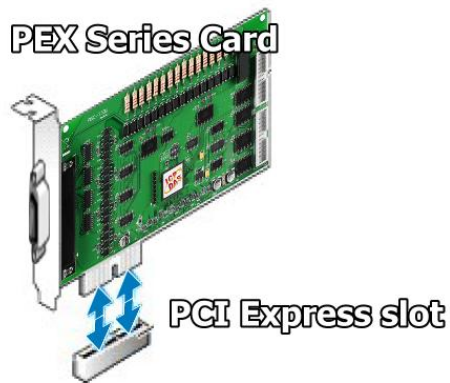


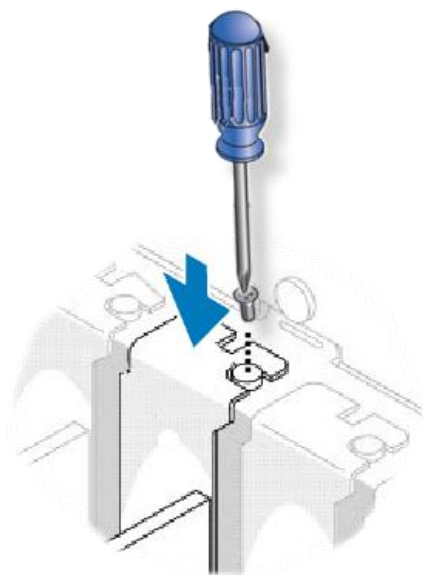
**Step 6: Remove the screw holding the cover for the PCI/PCI Express slot in place and then remove the slot cover from the PC. Ensure that you do not misplace the screw.**



**Step 7: Remove the connector cover from the PISO-730 series card.**

**Step 8: Align the contacts of the PCI card with the open slot on your motherboard and carefully insert your PISO-730 series card into the PCI/PCI Express slot.**

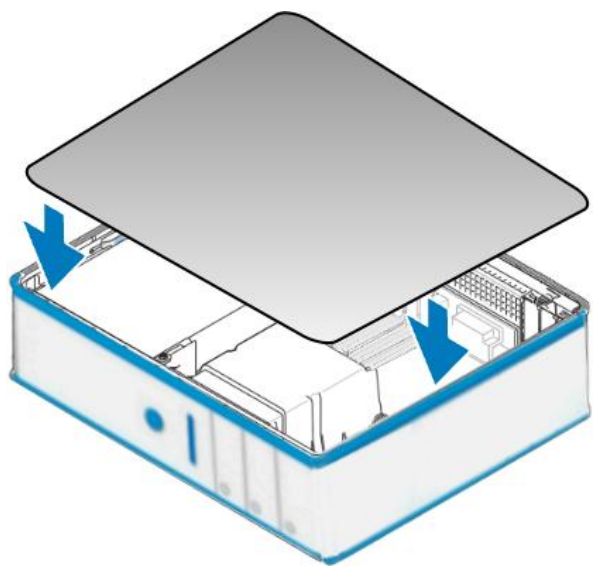




**Step 9: Screw the mounting bracket screw removed in step 5 into the new PCI card bracket to secure the card in place.**

Confirm that the PISO-730 series card is correctly mounted on the motherboard.

**Step 10: Re-attach cover for the computer and reconnect the power supply.**



**Step 11: Power on the computer.**

Once the computer reboots, follow the onscreen messages to complete the Plug & Play installation process. For more information, refer to [Chapter 4 Software Installation](#).



## 4. Software Installation

This chapter provides a detailed description of the process for installing the PISO-730 series driver and how to verify whether the PISO-730 was properly installed. PISO-730 series card can be used on DOS, Linux and 32-/64-bit XP/2003/2008/7/8/10 based systems, and the drivers are fully Plug & Play (PnP) compliant for easy installation.

### 4.1 Obtaining/Installing the Driver Installer Package

The driver installer package for the PISO-730 series card can be found on the supplied CD-ROM, or can be obtained from the ICP DAS FTP web site. Install the appropriate driver for your operating system. The location and addresses are indicated in the Table 4-1 and Table 4-2 below.

Table 4-1: UniDAQ Driver/SDK

<b>OS</b>	Windows 2000 、 32/64-bit Windows XP 、 32/64-bit Windows 2003 、 32/64-bit Windows Vista 、 32/64-bit Windows 7 、 32/64-bit Windows 2008 、 32/64-bit Windows 8
<b>Driver Name</b>	UniDAQ Driver/SDK (unidaq_win_setup_xxxx.exe)
<b>CD-ROM</b>	CD:\\ NAPDOS\\PCI\\UniDAQ\\DLL\\Driver\\
<b>Web Site</b>	<a href="http://ftp.icpdas.com/pub/cd/iocard/pci/napdos/pci/unidaq/dll/driver/">http://ftp.icpdas.com/pub/cd/iocard/pci/napdos/pci/unidaq/dll/driver/</a>
<b>Installing Procedure</b>	<p>For detailed information about the UniDAQ driver installation, please refer to UniDAQ DLL Software Manual.</p> <p>The user manual is contained in:</p> <p>CD:\\NAPDOS\\PCI\\UniDAQ\\Manual\\</p> <p><a href="http://ftp.icpdas.com/pub/cd/iocard/pci/napdos/pci/unidaq/manual/">http://ftp.icpdas.com/pub/cd/iocard/pci/napdos/pci/unidaq/manual/</a></p>

Table 4-2: PISO-DIO Series Classic Driver

<b>OS</b>	Windows 95/98/ME 、 Windows NT 、 Windows 2000 、 32-bit Windows XP 、 32-bit Windows 2003 、 32-bit Windows Vista 、 32-bit Windows 7
<b>Driver Name</b>	PISO-DIO Series Classic (PISO_DIO_Win__xxx.exe)
<b>CD-ROM</b>	CD:\\ NAPDOS\\PCI\\PISO-DIO\\DLL_OCX\\Driver\\
<b>Web Site</b>	<a href="http://ftp.icpdas.com/pub/cd/iocard/pci/napdos/pci/piso-dio/dll_ocx/driver/">http://ftp.icpdas.com/pub/cd/iocard/pci/napdos/pci/piso-dio/dll_ocx/driver/</a>
<b>Installing Procedure</b>	<p>For detailed information about the PISO-DIO series classic driver installation, please refer to PISO-DIO series classic driver DLL Software Manual.</p> <p>The user manual is contained in:</p> <p>CD:\\NAPDOS\\PCI\\PISO-DIO\\Manual\\</p> <p><a href="http://ftp.icpdas.com/pub/cd/iocard/pci/napdos/pci/piso-dio/manual/">http://ftp.icpdas.com/pub/cd/iocard/pci/napdos/pci/piso-dio/manual/</a></p>

## 4.2 PnP Driver Installation

Power off the computer and install the PISO-730 series cards. Turn on the computer and Windows 32-/64-bit Windows XP/2003/2008/7/8/10 should automatically detect the new PCI device(s) and then ask for the location of the driver files for the hardware. If a problem is encountered during installation, refer to the PnPinstall.pdf file for more information.

## 4.3 Verifying the Installation

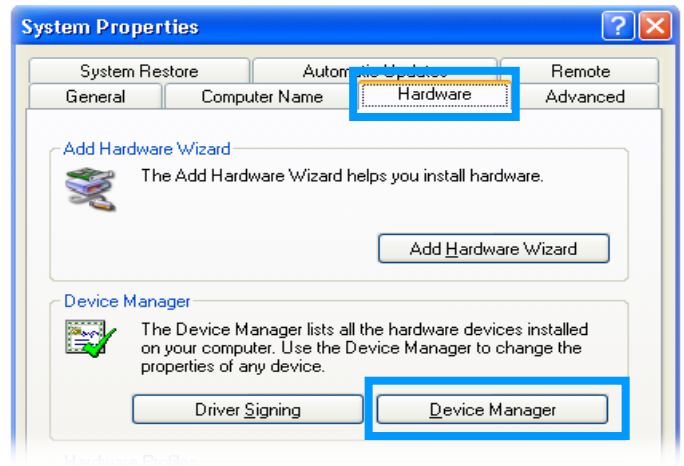
To verify the installation, use the Windows **Device Manager** to view and update the device drivers installed on your computer, and check to ensure that hardware is operating correctly. The following is a description of how access the Device Manager in each of the major versions of Windows. Refer to the appropriate description for your specific operating system to verify the installation.

### 4.3.1 How do I get into Windows Device Manager?

#### ■ Microsoft Windows 95/98/ME

**Step 1:** On the desktop right-click on **“My Computer”** and click **“Properties”** or open the **“Control Panel”** and double-click the **“System”** icon.

**Step 2:** Click the **“Device Manager”** tab.



#### ■ Microsoft Windows 2000/XP

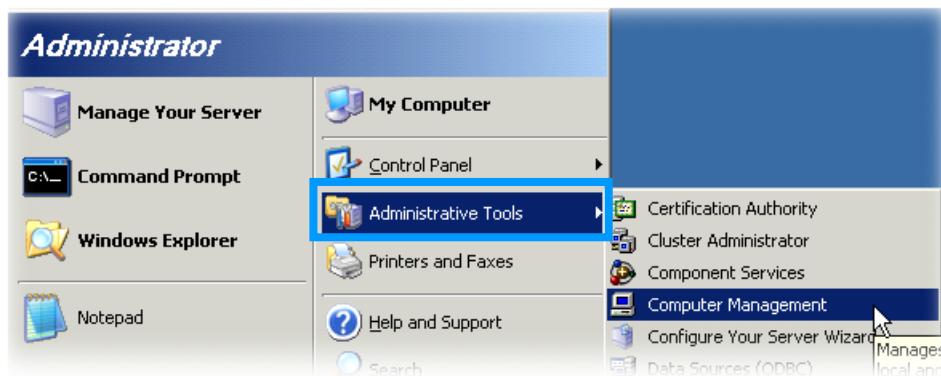
**Step 1:** Click **“Start”** → then point to **“Settings”** and click → **“Control Panel”**. Double-click the **“System”** icon to open the **“System Properties”** dialog box..

**Step 2:** Click the **“Hardware”** tab and then click the **“Device Manager”** button.

#### ■ Microsoft Windows 2003

**Step 1:** Click **“Start”** → point to **“Administrative Tools”**, and then click **“Computer Management”**.

**Step 2:** From **“System Tools”** in the console tree, click **“Device Manager”**.



### ■ Microsoft Windows 7

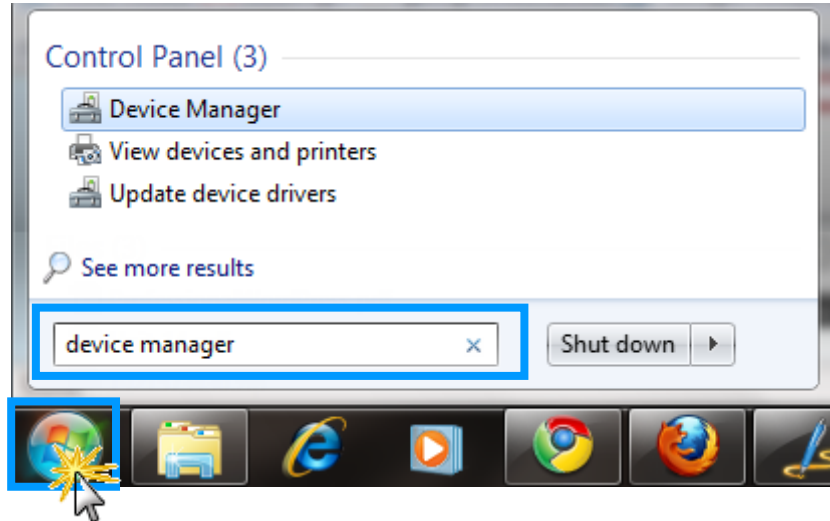
**Step 1:** Click **“Start”** button, and then click **“Control Panel”**.

**Step 2:** Click **“System and Maintenance”**, and then click **“Device Manager”**.

Alternatively,

**Step 1:** Click **“Start”** button.

**Step 2:** In the **Search field**, type **Device Manager** and the press Enter.



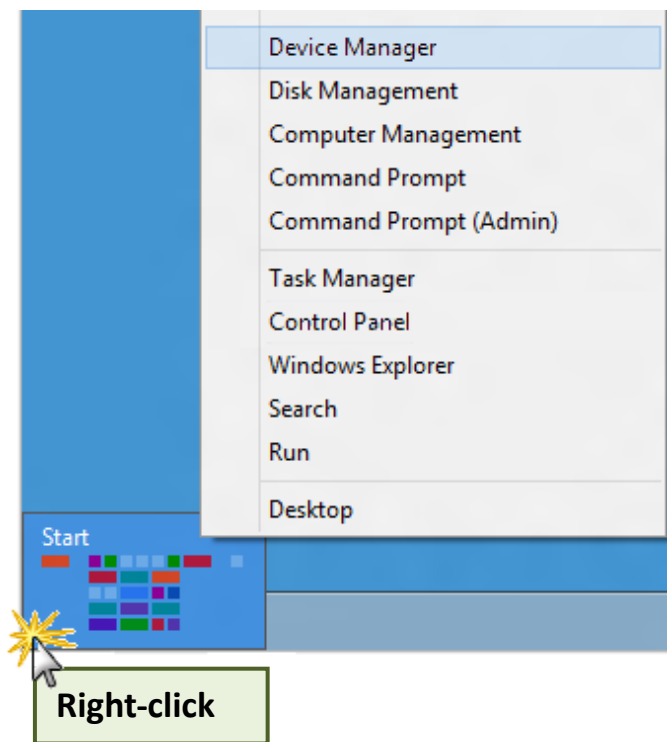
**Note that Administrator privileges are required for this operation. If you are prompted for an administrator password or confirmation, type the password or provide confirmation.**

### ■ Microsoft Windows 8/10

**Step 1:** To display the **Start screen icon** from the desktop view, simply hover the mouse cursor over the **bottom-left corner** of screen.

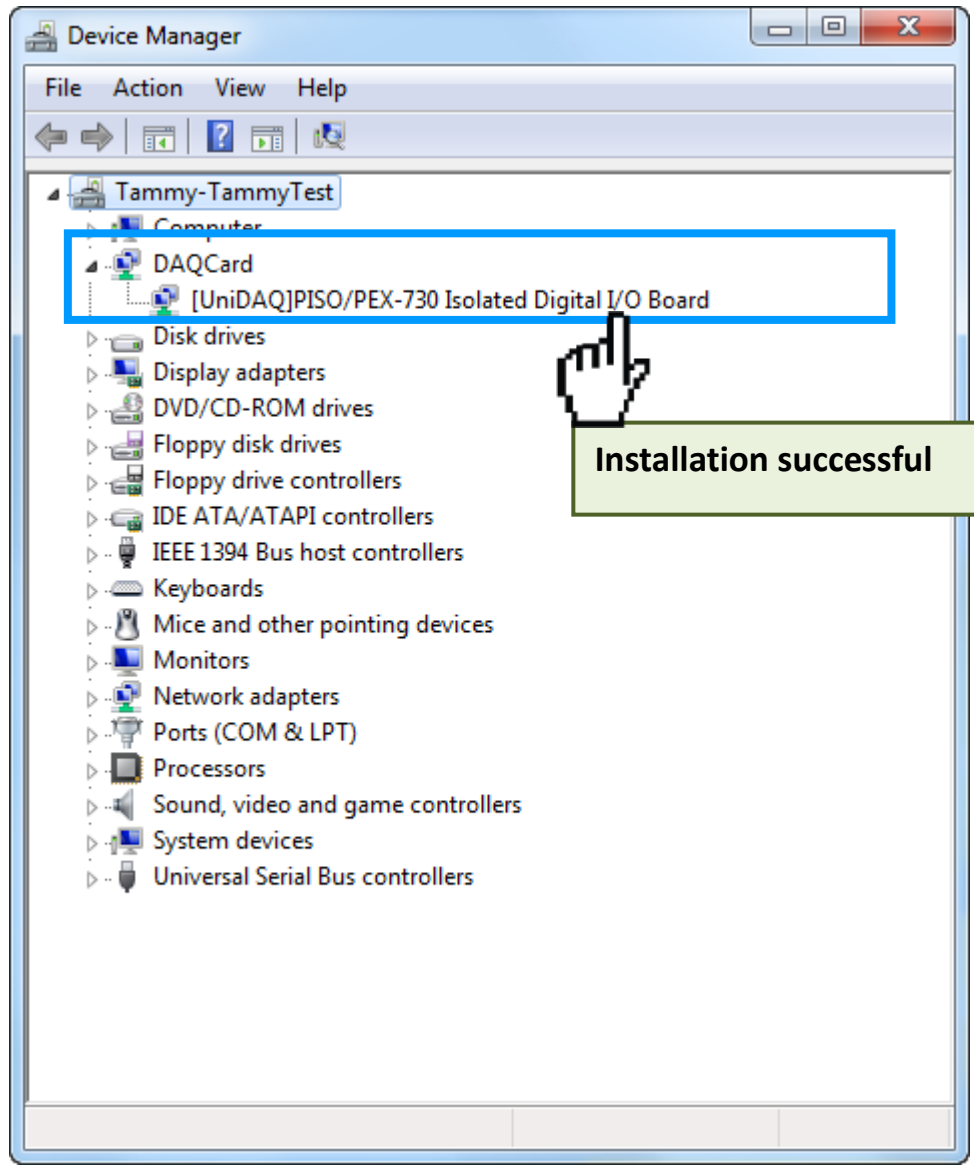
**Step 2:** **Right-click** the Start screen icon then click **“Device Manager”**.

Alternatively, press **[Windows Key] + [X]** to open the Start Menu, and select Device Manager from the options list.



### 4.3.2 Check that the Installation

Check the PISO-730 series card which listed correctly or not, as illustrated below.



## 5. Testing PISO-730 Series Card

This chapter can give you the detail steps about self-test. In this way, user can confirm that PISO-730 series cards well or not. Before the self-test, you must complete the hardware and driver installation. For detailed information about the hardware and driver installation, please refer to [Chapter 3 Hardware Installation](#) and [Chapter 4 Software Installation](#).

### 5.1 Self-Test Wiring

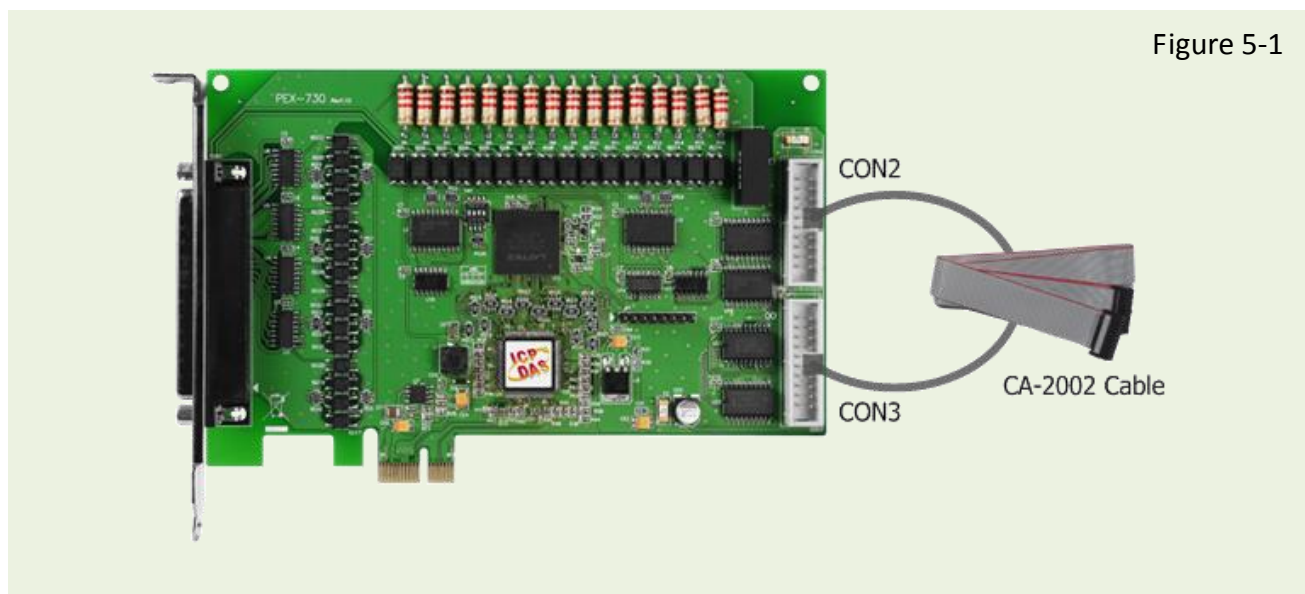
#### 5.1.1 Non-isolation (5V/TTL) DIO Test Wiring

■ Preparing the device:

Before beginning the “self-test”, ensure that the following items are available:

- A CA-2002 (optional) cable

**Step 1:** Use the CA-2002 cable to connect the CON2 with CON3 on the PISO-730 series card.





## 5.1.2 Isolation DIO Test Wiring

### ■ Preparing the device:

Before beginning the “self-test”, ensure that the following items are available:

- ☑ A DN-37 (optional) terminal board
- ☑ A CA-3710 (optional) cable
- ☑ Exterior power supply device. For example:  
DP-665 (optional)

**Step 1:** Use the **DN-37** to connect the **CON1** on the PISO-730 series card.

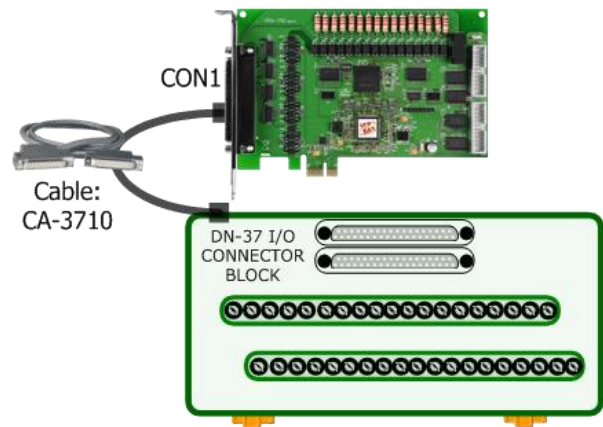



Figure 5-2

### 5.1.2.1 PEX-730/PISO-730(U)(-5V) External Power Wiring

 *Note that DI can accept external voltages refer to Sec. 2.2.4 “Isolation D/I Port Architecture (CON1)” for more detail information.*

**For PEX-730/PISO-730U/PISO-730 External Power (+9V ~ +30V) Wiring:**

**Step 2:** Connect the **CON1.IDI (0-15)** with **CON1.IDO (0-15)**.

(Pin1 connects to Pin11 ... Pin27 connects to Pin37)

**Step 3:** **External Power +24 V** connect to **EO.COM1 (Pin10)** and **EO.COM2 (Pin19)**.

**External Power +24 V** connect to **EI.COM1 (Pin09)** and **EI.COM2 (Pin28)**.

**External Power GND** connect to **CON1.IGND (pin29)**.

(Refer to **Figure 5-3** for illustrations)

**For PISO-730U-5V External Power (+5V ~ +12V) Wiring:**

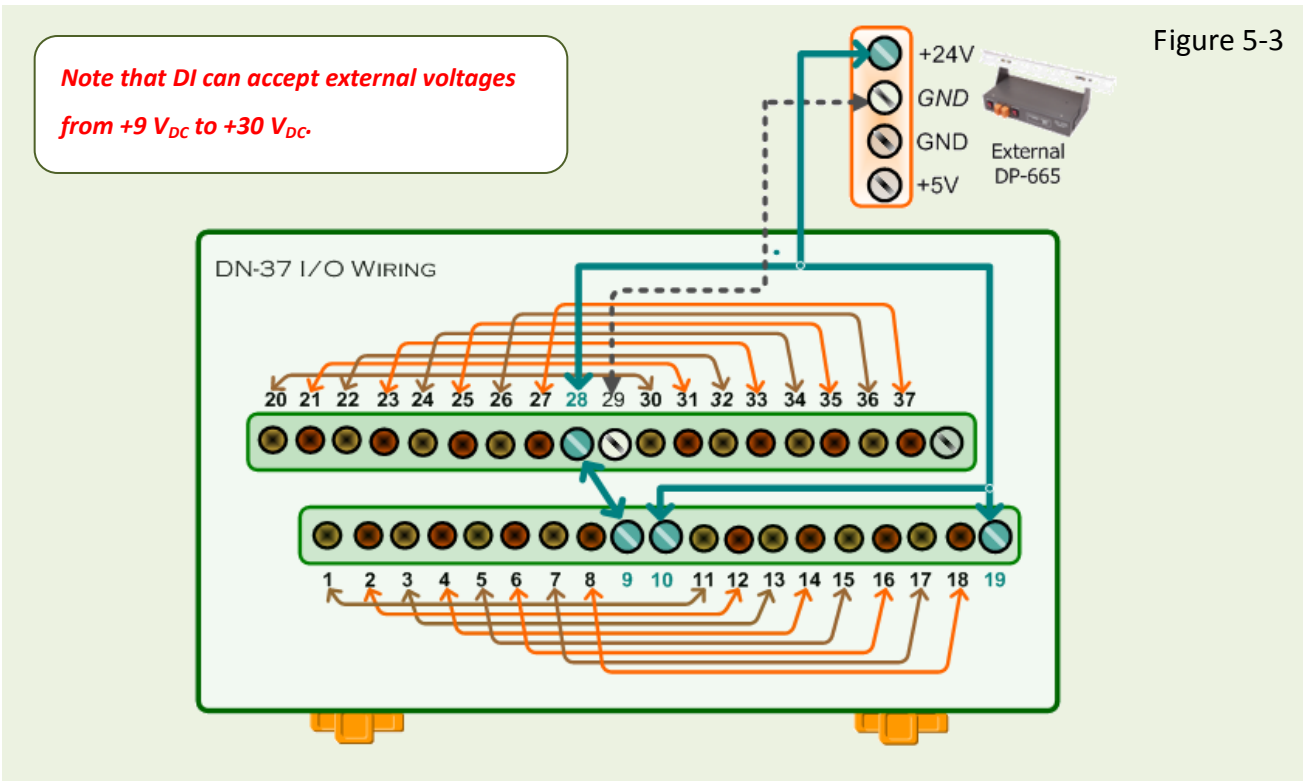
**Step 3:** **External Power +5 V** connect to **EO.COM1 (Pin10)** and **EO.COM2 (Pin19)**.

**External Power +5 V** connect to **EI.COM1 (Pin09)** and **EI.COM2 (Pin28)**.

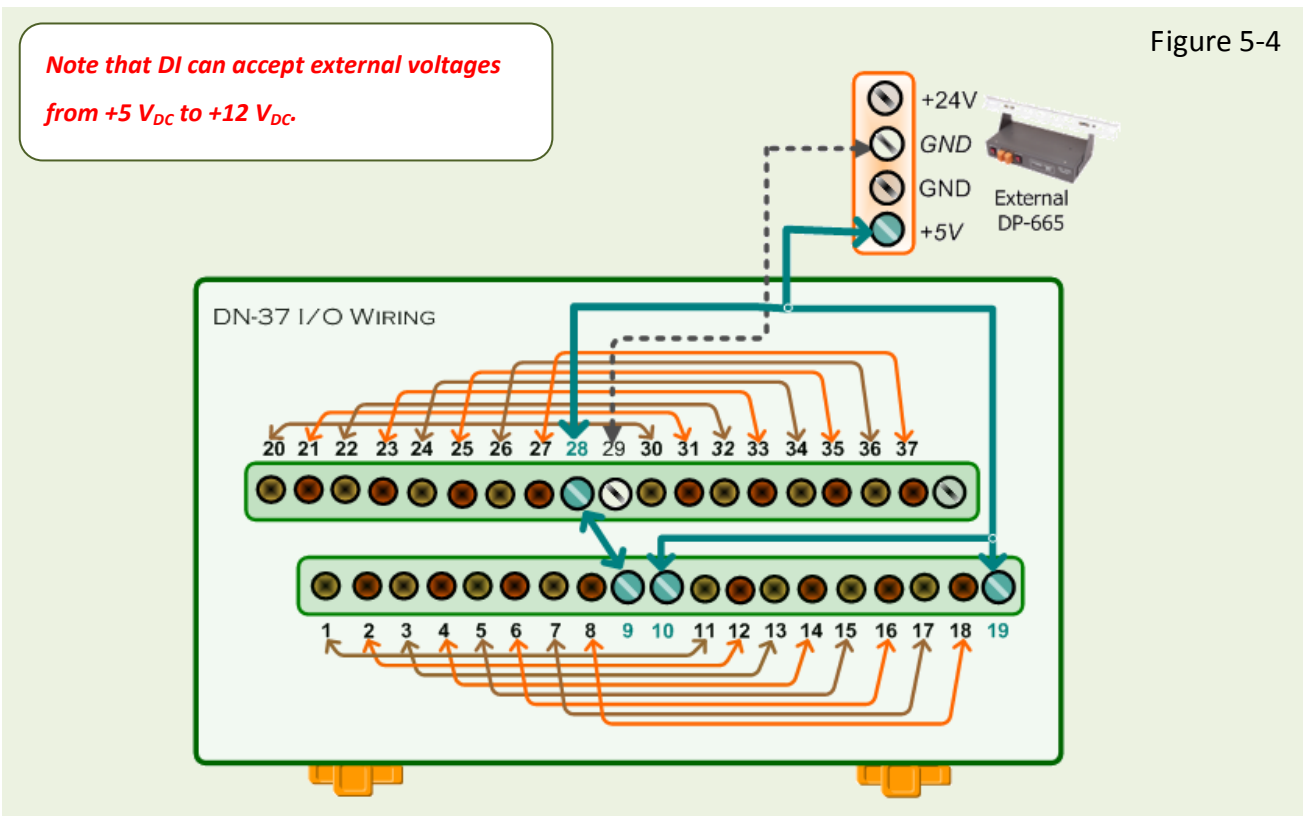
**External Power GND** connect to **CON1.IGND (pin29)**.

(Refer to **Figure 5-4** for illustrations)


■ For PEX-730/PISO-730U/PISO-730 Wiring Diagram:



■ For PISO-730U-5V Wiring Diagram:



### 5.1.2.2 PEX-730A/PISO-730A(-5V) External Power Wiring

 *Note that DI can accept external voltages refer to Sec. 2.2.4 “Isolation D/I Port Architecture (CON1)” for more detail information.*

For PEX-730A/PISO-730A External Power (+9V ~ +30V) Wiring:

**Step 3:** External Power +24 V connect to EO.COM2 (Pin19).

External Power GND connect to EI.COM2 (Pin28).

External Power GND connect to CON1.IGND (pin29).

(Refer to Figure 5-5 for illustrations)

For PISO-730A-5V External Power (+5V ~ +12V) Wiring:

**Step 3:** External Power +5 V connect to EO.COM2 (Pin19).

External Power GND connect to EI.COM2 (Pin28).

External Power GND connect to CON1.IGND (pin29).

(Refer to Figure 5-6 for illustrations)

#### ■ For PEX-730A/PISO-730A Wiring Diagram:

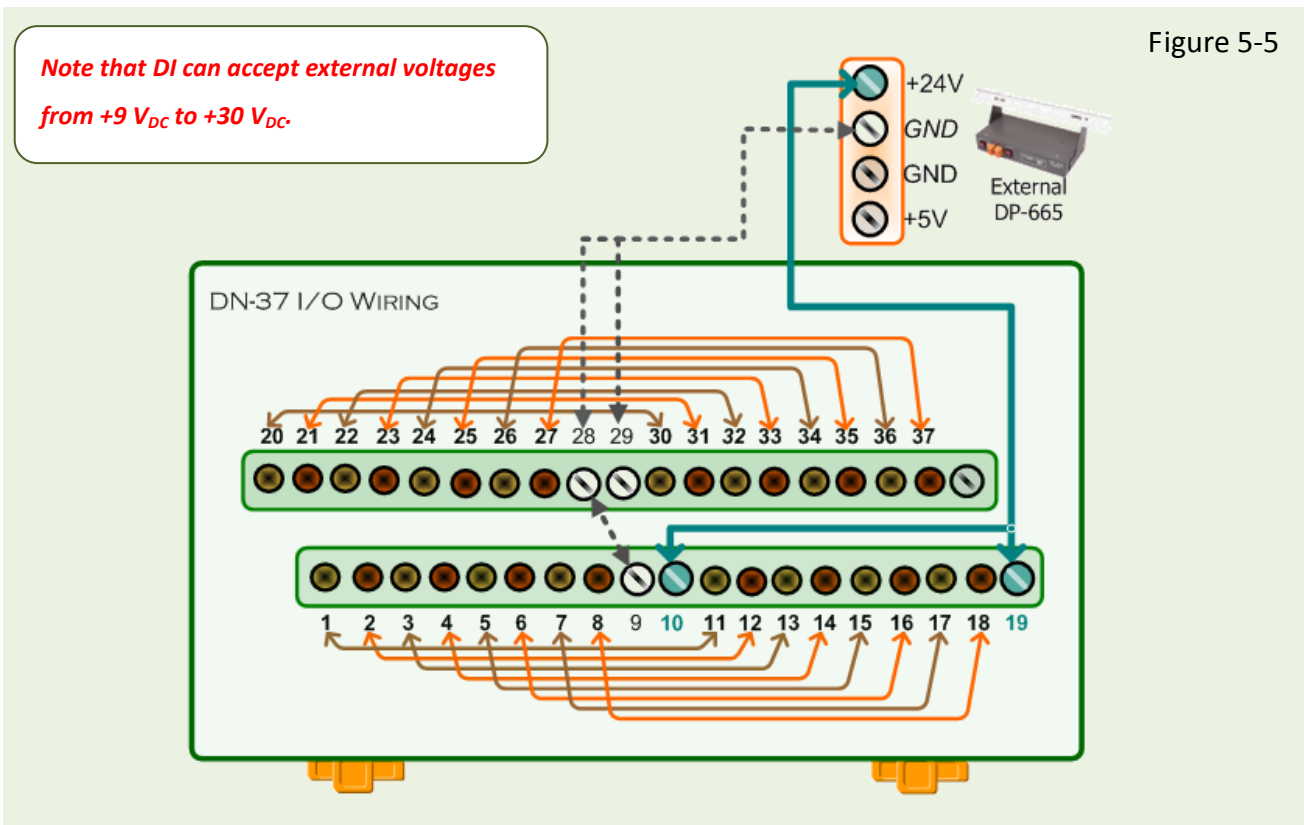
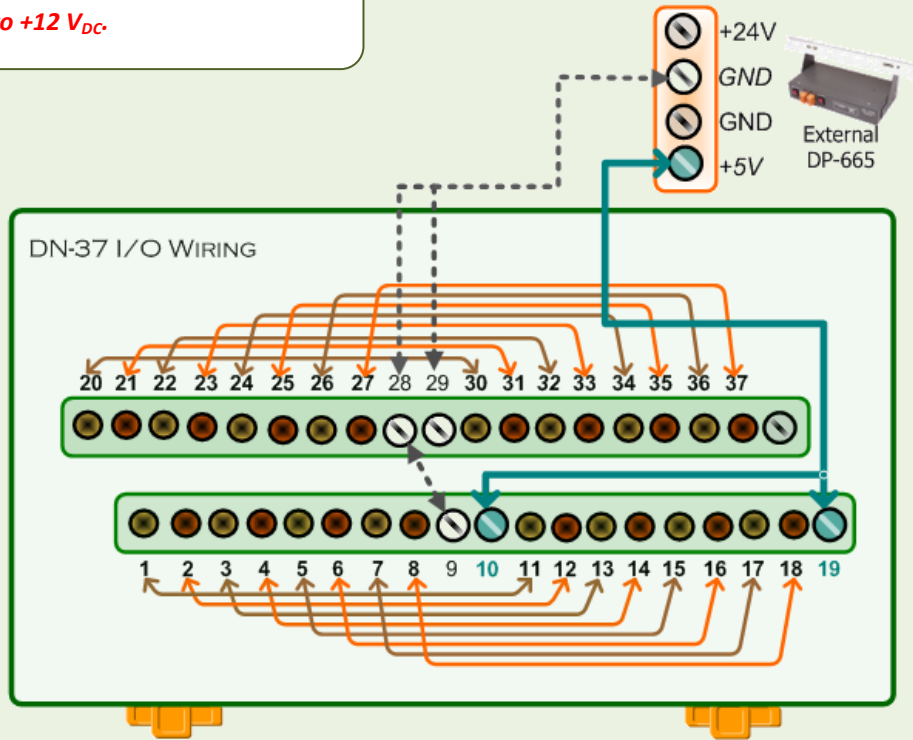


Figure 5-5

■ For PISO-730A-5V Wiring Diagram:

*Note that DI can accept external voltages from +5 V<sub>DC</sub> to +12 V<sub>DC</sub>.*

Figure 5-6

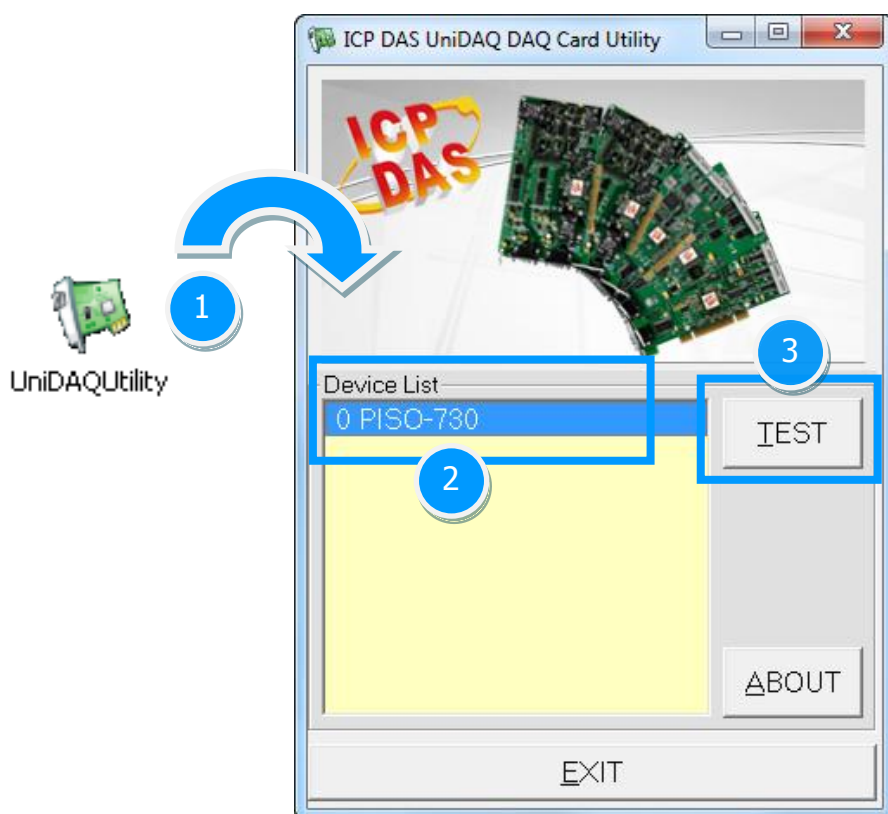


## 5.2 Execute the Test Program

The following example use UniDAQ driver to perform self-test. If you install the PISO-DIO series classic driver, please refer to Quick Start Guide of the PISO-730 (<http://ftp.icpdas.com/pub/cd/iocard/pci/napdos/pci/piso-dio/manual/quickstart/classic/>) to execute the self-test.

**Step 1:** Execute the UniDAQ Utility Program. The UniDAQ Utility.exe will be placed in the default path (C:\ICPDAS\UniDAQ\Driver\) after completing installation.

1. Double click the “UniDAQUtility.exe”
2. Confirm the PISO-730 series card had successfully installed to PC. It starts form 0.
3. Click the “TEST” button to start test.



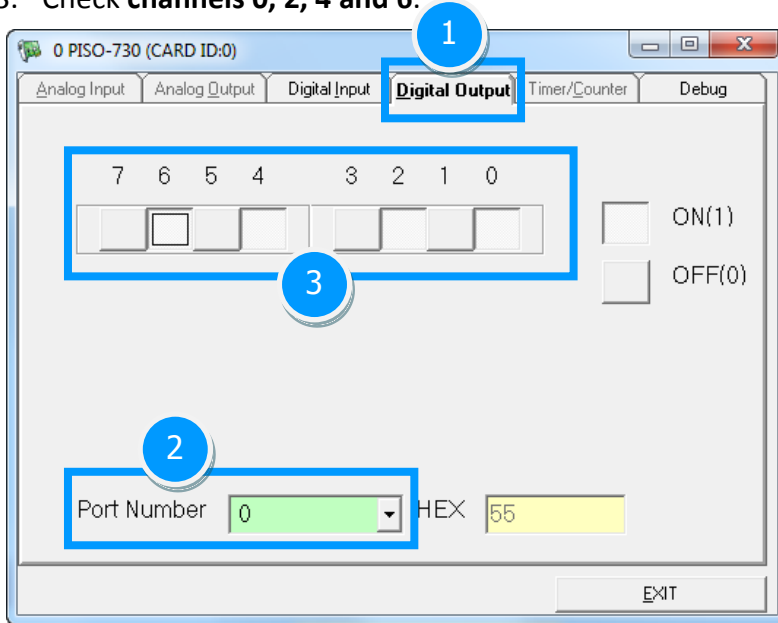
*Note: The PEX-730 software is fully compatible with the PISO-730 series software.*

**Step 2:** Get DIO function test result.


1. Click the **“Digital Output”** tab.
2. Select the **“Port0”** from the **“Port Number”** drop-down options.

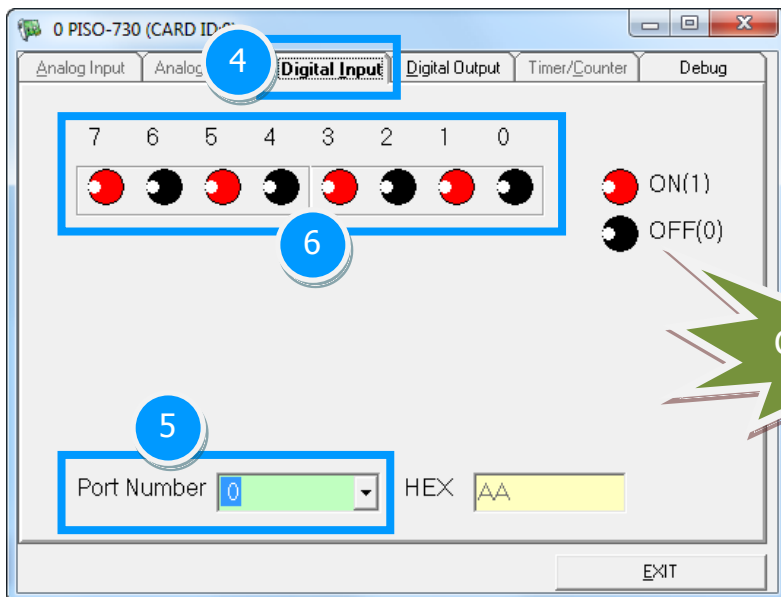
 *Note: Port0/1 is isolated digital input/output (IDI/IDO), Port2/3 is non-isolated digital input/output (DI/DO).*

3. Check **channels 0, 2, 4 and 6**.



4. Click the **“Digital Input”** tab.
5. Select the **“Port0”** from the **“Port Number”** drop-down options.
6. The corresponding D/I become **black** for channel 0, 2, 4, 6 of D/O is **ON**.

 *Note: Port0/1 IDI is the reverse logic, so the red light means low status (Logic 0) and the black light means high status (Logic 1).*



## 6. I/O Control Register

### 6.1 How to Find the I/O Address

The plug&play BIOS will assign a proper I/O address to every PIO/PISO series card in the power-on stage. The fixed IDs for the PISO-730 series cards are given as follows:

Table 6-1:

	PISO-730 (Rev 1.0 ~ 2.0)	PISO-730 (Rev 2.3)	PISO-730U (Rev 4.0)	PEX-730
<b>Vendor ID</b>	0xE159	0xE159	0xE159	0xE159
<b>Device ID</b>	0x02	0x01	0x01	0x01
<b>Sub-Vendor ID</b>	0x80	0xCA80	0xCA80	0xCA80
<b>Sub-Device ID</b>	0x08	0x00	0x00	0x00
<b>Sub-Aux ID</b>	0x40	0x40	0x40	0x40

Table 6-2:

	PISO-730A (Rev 2.0)	PISO-730A (Rev 3.3)	PEX-730A (Rev 1.3)
<b>Vendor ID</b>	0xE159	0xE159	0xE159
<b>Device ID</b>	0x02	0x01	0x01
<b>Sub-Vendor ID</b>	0x80	0x62FF	0x62FF
<b>Sub-Device ID</b>	0x08	0x00	0x00
<b>Sub-Aux ID</b>	0x80	0x80	0x80

We provide all necessary functions as follows:

1. `PIO_DriverInit(&wBoard, wSubVendor, wSubDevice, wSubAux)`
2. `PIO_GetConfigAddressSpace(wBoardNo, *wBase, *wIrq, *wSubVendor, *wSubDevice, *wSubAux, *wSlotBus, *wSlotDevice)`
3. `Show_PIO_PISO(wSubVendor, wSubDevice, wSubAux)`

All functions are defined in PIO.H. Refer to **PISO-DIO DLL software manual** for more information.  
The important driver information is given as follows:

1. Resource-allocated information:

- **wBase:** BASE address mapping in this PC
- **wIrq:** IRQ channel number allocated in this PC

2. PIO/PISO identification information:

- **wSubVendor:** subVendor ID of this board
- **wSubDevice:** subDevice ID of this board
- **wSubAux:** subAux ID of this board

3. PC's physical slot information:

- **wSlotBus:** hardware slot ID1 in this PC's slot position
- **wSlotDevice:** hardware slot ID2 in this PC's slot position

The PIO\_PISO.EXE utility will detect and show all PIO/PISO cards installed in this PC. Refer to [Sec. 6.1.1](#) for more information.

## 6.1.1 PIO\_PISO Utility

**The PIO\_PISO.EXE is valid for all PIO/PISO cards.** This program shows all PCI hardware ID regarding the PIO and PISO series DAQ cards. It is useful to test if the card Plug & Play successfully when the computer bootup. If the PIO or PISO series card does not shown in the screen correctly, please try to use another PCI slot and try again.

The user can execute the PIO\_PISO.EXE to get the following information:

- List all PIO/PISO cards installed in this PC
- List all resources allocated to every PIO/PISO cards
- List the wSlotBus and wSlotDevice for specified PIO/PISO card identification. (refer to [Sec. 6.2](#) for more information about the assignment of I/O Address)



## ■ For Windows OS

The **PIO\_PISO.EXE** for **Windows** is contained in:

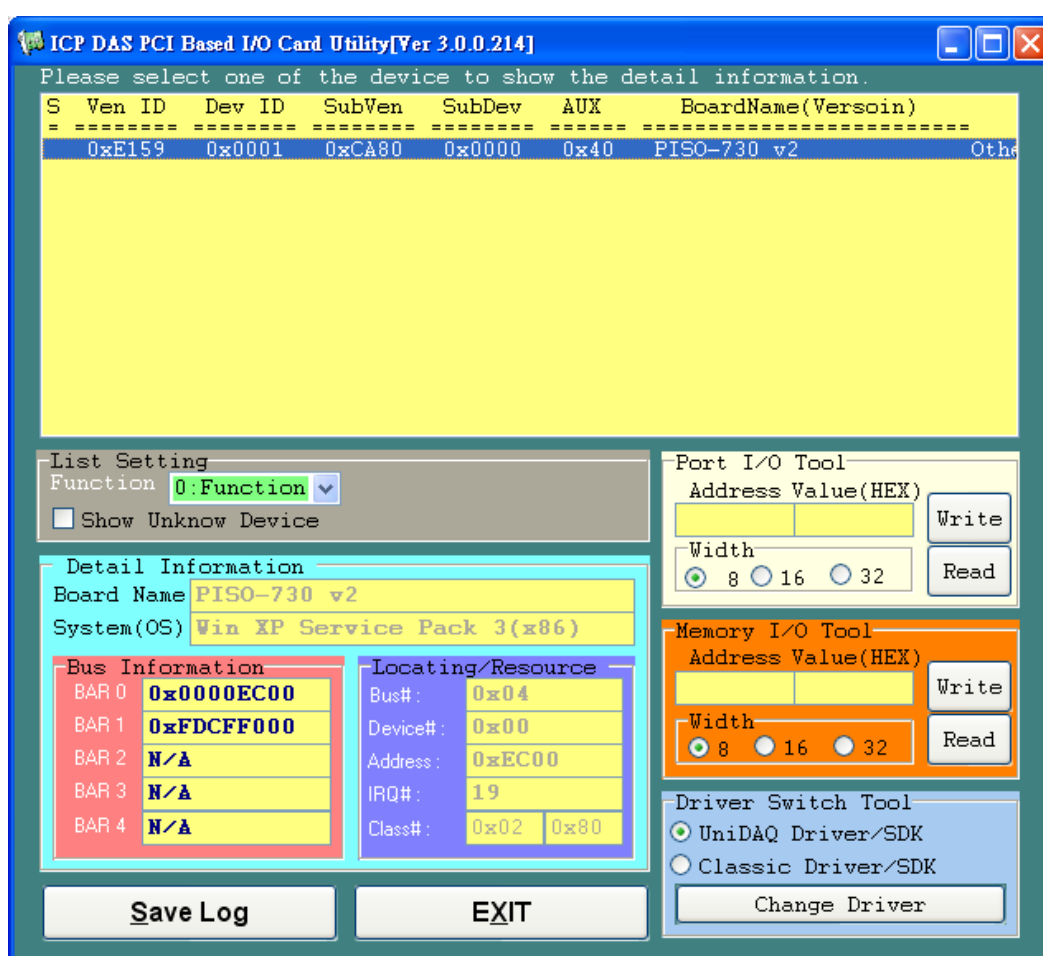


CD:\NAPDOS\PCI\Utility\Win32\PIO\_PISO



[http://ftp.icpdas.com/pub/cd/iocard/pci/napdos/pci/utility/win32/pio\\_piso/](http://ftp.icpdas.com/pub/cd/iocard/pci/napdos/pci/utility/win32/pio_piso/)

After executing the utility, the detail information for all PIO/PISO cards that installed in the PC will be shown as follows:



## ■ For DOS

The **PIO\_PISO.EXE** for DOS is contained in:



CD:\NAPDOS\PCI\Utility\DOS\



<http://ftp.icpdas.com/pub/cd/iocard/pci/napdos/pci/utility/dos/>

The PIO\_PISO program source is given as follows:

```
/* ----- */
/* Find all PIO_PISO series cards in this PC system */
/* step 1 : plug all PIO_PISO cards into PC */
/* step 2 : run PIO_PISO.EXE */
/* ----- */

#include "PIO.H"

WORD wBase,wIrq;
WORD wBase2,wIrq2;

int main()
{
int i,j,j1,j2,j3,j4,k,jj,dd,j11,j22,j33,j44;
WORD wBoards,wRetVal;
WORD wSubVendor,wSubDevice,wSubAux,wSlotBus,wSlotDevice;
char c;
float ok,err;

clrscr();
wRetVal=PIO_DriverInit(&wBoards,0xff,0xff,0xff); /*for PIO-PISO */
printf("\nThrer are %d PIO_PISO Cards in this PC",wBoards);
if (wBoards==0 ) exit(0);

printf("\n-----");
for(i=0; i<wBoards; i++)
{
PIO_GetConfigAddressSpace(i,&wBase,&wIrq,&wSubVendor,
&wSubDevice,&wSubAux,&wSlotBus,&wSlotDevice);

printf("\nCard_ %d:wBase=%x,wIrq=%x,subID=[%x,%x,%x],
SlotID=[%x,%x]",i,wBase,wIrq,wSubVendor,wSubDevice,
wSubAux,wSlotBus,wSlotDevice);

printf(" --> ");
ShowPioPiso(wSubVendor,wSubDevice,wSubAux);
}

PIO_DriverClose();
}
```

## 6.2 The Assignment of I/O Address

The Plug&Play BIOS will assign the proper I/O address to a PIO/PISO series card. If there is only one PIO/PISO board, the user can identify the board as card\_0. If there are two PIO/PISO boards in the system, it is very difficult to identify which board is card\_0. The software driver can support a maximum of 16 boards. Therefore, the user can install 16 PIO/PSIO series cards onto one PC system. The methods used to find and identify card\_0 and card\_1 is demonstrated below.

**The simplest way to identify which card is card\_0 is to use wSlotBus and wSlotDevice in the following manner:**

- Step 1:** Remove all PISO-730 series boards from the PC.
- Step 2:** Install one PISO-730 series into the PC's PCI\_slot1, run PIO\_PISO.EXE.  
Then record the wSlotBus1 and wSlotDevice1 information.
- Step 3:** Remove all PISO-730 series boards from the PC.
- Step 4:** Install one PISO-730 series into the PC's PCI\_slot2 and run PIO\_PISO.EXE.  
Then record the wSlotBus2 and wSlotDevice2 information.
- Step 5:** Repeat Steps(3) and (4) for every PCI\_slot and record all information from wSlotBus and wSlotDevice.

The records may look similar to the table follows:

Table 6-3:

PC's PCI Slot	WslotBus	WslotDevice
Slot_1	0	0x07
Slot_2	0	0x08
Slot_3	0	0x09
Slot_4	0	0x0A
PCI-BRIDGE		
Slot_5	1	0x0A
Slot_6	1	0x08
Slot_7	1	0x09
Slot_8	1	0x07

The above procedure will record all the wSlotBus and wSlotDevice information on a PC. These values will be mapped to this PC's physical slot and this mapping will not be changed for any PIO/PISO cards. Therefore, this information can be used to identify the specified PIO/PISO card by following steps:

**Step1:** Using the wSlotBus and wSlotDevice information from Table 6-3.

**Step2:** Enter the board number into PIO\_GetConfigAddressSpace(...) function to get the information for a specific card, especially the wSlotBus and wSlotDevice details.

**Step3:** Identify the specific PIO/PISO card by comparing the data of the wSlotBus and wSlotDevice from Step1 and Step2.



*Note that normally the card installed in slot 0 is card0 and the card installed in slot1 is card1 for PIO/PISO series cards.*

## 6.3 The I/O Address Map

The I/O address for PISO-730 series cards are automatically assigned by the main board ROM BIOS. The I/O address can also be re-assigned by the user. It is strongly recommended that users do not change the I/O address. The Plug&Play BIOS will effectively perform the assignment of proper I/O addresses to each PISO-730 series cards. The I/O address for the PISO-730 series cards are given in the table below, all of which are based on the base address of each card.

Table 6-3: Refer to [Sec. 6.1](#) for more information about wBase.

Address	Read	Write
wBase+0x0	RESET\ Control Register	RESET\ Control Register
wBase+0x2	AUX Control Register	AUX Control Register
wBase+0x3	AUX Data Register	AUX Data Register
wBase+0x5	INT Mask Control Register	INT Mask Control Register
wBase+0x7	AUX Pin Status Register	AUX Pin Status Register
wBase+0x2a	INT Polarity Control Register	INT Polarity Control Register
wBase+0xc0	IDI0 ~ IDI7	IDO0 ~ IDO7
wBase+0xc4	IDI8 ~ IDI15	IDO8 ~ IDO15
wBase+0xc8	DI0 ~ DI7	DO0 ~ DO7
wBase+0xcc	DI8 ~ DI15	DO8 ~ DO15
wBase+0xd0	Read IDO 0 ~ IDO7 Readback	-
wBase+0xd4	Read IDO 8 ~ IDO15 Readback	-
wBase+0xd8	Read DO 0 ~ DO7 Readback	-
wBase+0xdc	Read DO 8 ~ DO15 Readback	-
wBase+0xf0	Read Card ID	-
wBase+0xfc	Read version number	-



*Note: The DO Readback, Card ID and version number functions for the PEX-730A/PEX-730/PISO-730U(-5V) only.*

### 6.3.1 RESET\ Control Register

(Read/Write): wBase+0x0

Bit 7	Bit 6	Bit 5	Bit 4	Bit 3	Bit 2	Bit 1	Bit 0
Reserved	Reserved	Reserved	Reserved	Reserved	Reserved	Reserved	RESET\

When the PC is first powered-up, the RESET\ signal is in Low state. This disables all D/I/O operations. Please set the RESET\ signal to High state before issuing any D/I/O command.

```

outputb(wBase,1);    /* RESET\ = High → all D/I/O are enable now */
outputb(wBase,0);    /* RESET\ = Low  → all D/I/O are disable now */
    
```

### 6.3.2 AUX Control Register

(Read/Write): wBase+0x2

Bit 7	Bit 6	Bit 5	Bit 4	Bit 3	Bit 2	Bit 1	Bit 0
Aux7	Aux6	Aux5	Aux4	Aux3	Aux2	Aux1	Aux0

Aux?=0 → this Aux is used as a D/I  
 Aux?=1 → this Aux is used as a D/O

When the PC is first powered-on, all Aux? signals are in Low-state. All Aux? are designed as D/I for all PIO/PISO series. Please set all Aux? in D/I state.

### 6.3.3 AUX Data Register

(Read/Write): wBase+0x3

Bit 7	Bit 6	Bit 5	Bit 4	Bit 3	Bit 2	Bit 1	Bit 0
Aux7	Aux6	Aux5	Aux4	Aux3	Aux2	Aux1	Aux0

When the Aux? is used as a D/O, this register controls the output state. This register has been designed for future extensions, so please don't try to control this register now.

### 6.3.4 INT Mask Control Register

(Read/Write): wBase+0x5

Bit 7	Bit 6	Bit 5	Bit 4	Bit 3	Bit 2	Bit 1	Bit 0
0	0	0	0	0	0	EN1	EN2

EN0/1=0 → Disables INT\_CHAN\_0/1 as a interrupt signal (default)

EN0/1=1 → Enables INT\_CHAN\_0/1 as a interrupt signal

For example:

```

outportb(wBase+5,0);           // disable all interrupts
outportb(wBase+5,1);           // enable interrupt of INT_CHAN_0
outportb(wBase+5,2);           // enable interrupt of INT_CHAN_1
outportb(wBase+5,3);           // enable all two channels of interrupt
    
```

Refer to the following demo program for more information:

[Sec. 7.2.3 DEMO3.C](#) → For INT\_CHAN\_0 only (initial high state)

[Sec. 7.2.4 DEMO4.C](#) → For INT\_CHAN\_0 only (initial low state)

[Sec. 7.2.5 DEMO5.C](#) → For multi-channel interrupts sources

### 6.3.5 AUX Status Register

(Read/Write): wBase+0x7

Bit 7	Bit 6	Bit 5	Bit 4	Bit 3	Bit 2	Bit 1	Bit 0
Aux7	Aux6	Aux5	Aux4	Aux3	Aux2	Aux1	Aux0

Aux0=INT\_CHAN\_0, Aux1=INT\_CHAN\_1, Aux7~4=Aux-ID. Refer to [Sec. 6.1](#) for more information. The Aux0~1 are used as interrupt sources. The interrupt service routine has to read this register for interrupt source identification. Refer to [Sec. 2.3](#) for more information.

## 6.3.6 Interrupt Polarity Control Register

(Read/Write): wBase+0x2a

Bit 7	Bit 6	Bit 5	Bit 4	Bit 3	Bit 2	Bit 1	Bit 0
0	0	0	0	-	-	INV1	INV0

INV0/1=0 → Selects the inverted signal from INT\_CHAN\_0/1

INV0/1=1 → Selects the non-inverted signal from INT\_CHAN\_0/1

For example:

```
outportb(wBase+0x2a,0); /* select the inverted input from all 2 channels */
outportb(wBase+0x2a,3); /* select the non-inverted input from all 2 channels */
outportb(wBase+0x2a,2); /* select the inverted input of INT_CHAN_0 */
                        /* select the non-inverted input of INT_CHAN_1 */
```

Refer to [Sec. 2.3](#) for more information.

Refer to [Sec. 7.2.5 DEMO5.C](#) for more information.



## 6.3.7 I/O Data Register

(Read/Write): wBase+0xc0

Bit 7	Bit 6	Bit 5	Bit 4	Bit 3	Bit 2	Bit 1	Bit 0
IDI7	IDI6	IDI5	IDI4	IDI3	IDI2	IDI1	IDI0

(Read/Write): wBase+0xc4

Bit 7	Bit 6	Bit 5	Bit 4	Bit 3	Bit 2	Bit 1	Bit 0
IDI15	IDI14	IDI13	IDI12	IDI11	IDI10	IDI9	IDI8

(Read/Write): wBase+0xc8

Bit 7	Bit 6	Bit 5	Bit 4	Bit 3	Bit 2	Bit 1	Bit 0
DI7	DI6	DI5	DI4	DI3	DI2	DI1	DI0

(Read/Write): wBase+0xcc

Bit 7	Bit 6	Bit 5	Bit 4	Bit 3	Bit 2	Bit 1	Bit 0
DI15	DI14	DI13	DI12	DI11	DI10	DI9	DI8

For example:

```

outputb(wBase+0xc0,0xff);           /* Writes 0xff to IDO0~IDO7 */
DiValue=inportb(wBase+0xc0);        /* Reads states from IDI0~IDI7 */

outputb(wBase+0xc8,0x55);           /* Writes 0x55 to DO0~DO7 */
DiValue=inportb(wBase+0xcc);        /* Reads states from DI8~DI15 */
    
```

## 6.3.8 D/O Readback Register

(Read): wBase+0xd0

Bit 7	Bit 6	Bit 5	Bit 4	Bit 3	Bit 2	Bit 1	Bit 0
IDO7	IDO6	IDO5	IDO4	IDO3	IDO2	IDO1	IDO0

(Read): wBase+0xd4

Bit 7	Bit 6	Bit 5	Bit 4	Bit 3	Bit 2	Bit 1	Bit 0
IDO15	IDO14	IDO13	IDO12	IDO11	IDO10	IDO9	IDO8

(Read): wBase+0xd8

Bit 7	Bit 6	Bit 5	Bit 4	Bit 3	Bit 2	Bit 1	Bit 0
DO7	DO6	DO5	DO4	DO3	DO2	DO1	DO0

(Read): wBase+0xdc

Bit 7	Bit 6	Bit 5	Bit 4	Bit 3	Bit 2	Bit 1	Bit 0
DO15	DO14	DO13	DO12	DO11	DO10	DO9	DO8

For example:

```
DiValue=inportb(wBase+0xd0);           /* Reads states from IDO0~IDO7 */
DiValue=inportb(wBase+0xd4);           /* Reads states from IDO8~IDO15 */
DiValue=inportb(wBase+0xd8);           /* Reads states from DO0~DO7 */
DiValue=inportb(wBase+0xdc);           /* Reads states from DO8~DO15 */
```



*Note: The DO Readback function is only supported by the PISO-730U(-5V), PEX-730A and PEX-730.*

### 6.3.9 Card ID Register

(Read): wBase+0xf0

Bit 7	Bit 6	Bit 5	Bit 4	Bit 3	Bit 2	Bit 1	Bit 0
-	-	-	-	ID3	ID2	ID1	ID0

For example:

```
wCardID = 0x0F & inportb(wBase+0xf0);          /* read Card ID */
```



*Note: The Card ID function is only supported by the PISO-730U(-5V), PEX-730A and PEX-730.*

### 6.3.10 Ver No Register

(Read): wBase+0xfc

Bit 7	Bit 6	Bit 5	Bit 4	Bit 3	Bit 2	Bit 1	Bit 0
Ver7	Ver6	Ver5	Ver4	Ver3	Ver2	Ver1	Ver0

For example:

```
Ver_No = inportb(wBase+0xfc);          /* read version number*/
```



*Note: The version number function is only supported by the PISO-730U(-5V), PEX-730A and PEX-730.*

## 7. Demo Programs

### 7.1 Demo Program for Windows

All demo programs will not work properly if the DLL driver has not been installed correctly. During the DLL driver installation process, the install-shields will register the correct kernel driver to the operation system and copy the DLL driver and demo programs to the correct position based on the driver software package you have selected (Win98/Me/NT/2K and 32-/64-bit Windows XP/2003/Vista/7/8). Once driver installation is complete, the related demo programs and development library and declaration header files for different development environments will be presented as follows.

#### ■ Demo Program for PISO-DIO Series Classic Driver

The demo program is contained in:



CD:\NAPDOS\PCI\PISO-DIO\DLL\_OCX\Demo\



[http://ftp.icpdas.com/pub/cd/iocard/pci/napdos/pci/piso-dio/dll\\_ocx/demo/](http://ftp.icpdas.com/pub/cd/iocard/pci/napdos/pci/piso-dio/dll_ocx/demo/)

⊕ BCB4 → for Borland C++ Builder 4  
PISODIO.H → Header files  
PISODIO.LIB → Linkage library for BCB only

⊕ Delphi4 → for Delphi 4  
PISODIO.PAS → Declaration files

⊕ VC6 → for Visual C++ 6  
PISODIO.H → Header files  
PISODIO.LIB → Linkage library for VC only

⊕ VB6 → for Visual Basic 6  
PISODIO.BAS → Declaration files

⊕ VB.VB6 → for Visual Basic 6  
PISODIO.vb → Visual Basic Source files

⊕ CSharp2005 → for C#.NET2005  
PISODIO.cs → Visual C# Source files  
VC6 → for Visual C++ 6

*For detailed information about the DLL function of the PISO-730 series card, please refer to PISO-DIO DLL Software Manual (CD:\NAPDOS\PCI\PISO-DIO\Manual\)*

## ■ Demo Program for UniDAQ SDK Driver

The demo program is contained in:



CD:\NAPDOS\PCI\UniDAQ\DLL\Demo\



<http://ftp.icpdas.com/pub/cd/iocard/pci/napdos/pci/unidaq/dll/demo/>

<ul style="list-style-type: none"><li>⊕ BCB6 → for Borland C++ Builder 6</li><li>UniDAQ.H → Header files</li><li>UniDAQ.LIB → Linkage library for BCB only</li></ul>	<ul style="list-style-type: none"><li>⊕ Delphi6 → for Delphi 6</li><li>UniDAQ.PAS → Declaration files</li></ul>
<ul style="list-style-type: none"><li>⊕ VB6 → for Visual Basic 6</li><li>UniDAQ.BAS → Declaration files</li></ul>	<ul style="list-style-type: none"><li>⊕ CSharp2005 → for C#.NET2005</li><li>UniDAQ.cs → Visual C# Source files</li></ul>
<ul style="list-style-type: none"><li>⊕ VC6 → for Visual C++ 6</li><li>UniDAQ.H → Header files</li><li>UniDAQ.LIB → Linkage library for VC only</li></ul>	<ul style="list-style-type: none"><li>⊕ VB.NET2005 → for VB.NET2005</li><li>UniDAQ.vb → Visual Basic Source files</li></ul>
<ul style="list-style-type: none"><li>⊕ VC.NET2005 → for VC.NET2005 (32-bit)</li><li>UniDAQ.H → Header files</li><li>UniDAQ.LIB → Linkage library for VC only</li></ul>	<ul style="list-style-type: none"><li>⊕ VC.NET2005 → for VC.NET2005 (64-bit)</li><li>UniDAQ.H → Header files</li><li>UniDAQ.LIB → Linkage library for VC only</li></ul>

*For detailed information about the DLL function and demo program of the UniDAQ, please refer to UniDAQ DLL Software Manual (CD:\NAPDOS\PCI\UniDAQ\Manual\)*

## 7.2 Demo Program for DOS

The demo program is contained in:



**For PEX-730, PISO-730U and PISO-730(-5V):**

CD:\NAPDOS\PCI\PISO-DIO\DOS\730\

**For PISO-730A(-5V):**

CD:\NAPDOS\PCI\PISO-DIO\DOS\730a\



**For PEX-730, PISO-730U and PISO-730(-5V):**

<http://ftp.icpdas.com/pub/cd/iocard/pci/napdos/pci/piso-dio/dos/730/>

**For PISO-730A(-5V):**

<http://ftp.icpdas.com/pub/cd/iocard/pci/napdos/pci/piso-dio/dos/730a/>

- ⊕ \TC\\*. \* → for Turbo C 2.xx or above
- ⊕ \MSC\\*. \* → for MSC 5.xx or above
- ⊕ \BC\\*. \* → for BC 3.xx or above

- ⊕ \TC\LIB\\*. \* → for TC Library
- ⊕ \TC\DEMO\\*. \* → for TC demo program
- ⊕ \TC\DIAG\\*. \* → for TC diagnostic program

- ⊕ \TC\LIB\Large\\*. \* → TC Large Model Library
- ⊕ \TC\LIB\Huge\\*. \* → TC Huge Model Library File
- ⊕ \TC\LIB\Large\PIO.H → TC Declaration File
- ⊕ \TC\LIB\Large\TCPIO\_L.LIB → TC Large Model Library File
- ⊕ \TC\LIB\Huge\PIO.H → TC Declaration File
- ⊕ \TC\LIB\Huge\TCPIO\_H.LIB → TC Huge Model Library File

- ⊕ \MSC\LIB\Large\PIO.H → MSC Declaration File
- ⊕ \MSC\LIB\Large\MSCPIO\_L.LIB → MSC Large Model Library File
- ⊕ \MSC\LIB\Huge\PIO.H → MSC Declaration File
- ⊕ \MSC\LIB\Huge\MSCPIO\_H.LIB → MSC Huge Model Library File

- ⊕ \BC\LIB\Large\PIO.H → BC Declaration File
- ⊕ \BC\LIB\Large\BCPIO\_L.LIB → BC Large Model Library File
- ⊕ \BC\LIB\Huge\PIO.H → BC Declaration File
- ⊕ \BC\LIB\Huge\BCPIO\_H.LIB → BC Huge Model Library File

***For detailed information about the DLL function of the DOS, please refer to PISO-DIO DLL Software Manual (CD:\NAPDOS\PCI\PISO-DIO\Manual\)***

---

## 7.2.1 Demo1: DO Demo

```
/* ----- */
/* DEMO1.C: D/O demo */
/* step 1: connect CON3 to DB-16R */
/* step 2: run DEMO1.EXE */
/* ----- */

#include "PIO.H"
void piso_730_do(long lDoValue);
void piso_730_ido(long lDoValue);
WORD wBase,wIrq;
int main()
{
int i,j,k1,k2,l1,l2,jj,dd,j1,i1,j2,i2;
WORD wBoards,wRetVal,t1,t2,t3,t4,t5;
WORD wSubVendor,wSubDevice,wSubAux,wSlotBus,wSlotDevice;
long lOutPad1,lOutPad2;
char c;

clrscr();
/* step 1: find address-mapping of PIO/PISO cards */
wRetVal=PIO_DriverInit(&wBoards,0x80,0x08,0x40); /* for PEX-730/PISO-730U/PISO-730(-5V) */
,0x80); /* for PISO-730A(-5V) */

printf("\nThere are %d PISO-730/730A Cards in this PC",wBoards);
if (wBoards==0) exit(0);
printf("\n----- The Configuration Space -----");
for(i=0; i<wBoards; i++)
{
PIO_GetConfigAddressSpace(i,&wBase,&wIrq,&wSubVendor,&wSubDevice,
&wSubAux,&wSlotBus,&wSlotDevice);
printf("\nCard_%d: wBase=%x,wIrq=%x,subID=[%x,%x,%x],SlotID=
[%x,%x]",i,wBase,wIrq,wSubVendor,wSubDevice,wSubAux,
wSlotBus,wSlotDevice);
printf(" --> ");
ShowPioPiso(wSubVendor,wSubDevice,wSubAux);
}
}
```



```
PIO_GetConfigAddressSpace(0,&wBase,&wIrq,&t1,&t2,&t3,&t4,&t5);
/* step 2: enable all D/I/O port */
outportb(wBase,1); /* enable D/I/O */

printf("\n\n");
IOutPad1=1;
IOutPad2=0x8000;
for(;;)
{
gotoxy(1,6);
piso_730_do(IOutPad1);
printf("\nOutput DO[0..15] = [%4lx]",IOutPad1);
piso_730_ido(IOutPad2);
printf("\nOutput IDO[0..15] = [%4lx]",IOutPad2);
delay(12000);
IOutPad1=((IOutPad1<<1)&0xffff);
IOutPad2=((IOutPad2>>1)&0xffff);

if (IOutPad1==0) {IOutPad1=1;IOutPad2=0x8000;}
if (kbhit()!=0) break;
}
PIO_DriverClose();
}

/* ----- */
void piso_730_do(long IDoValue)
{
outportb(wBase+0xc8,(IDoValue&0xff));
outportb(wBase+0xcc,((IDoValue>>8)&0xff));
}
/* ----- */
void piso_730_ido(long IDoValue)
{
outportb(wBase+0xc0,(IDoValue&0xff));
outportb(wBase+0xc4,((IDoValue>>8)&0xff));
}
```

## 7.2.2 Demo2: DIO Demo

```
/* ----- */
/* DEMO2.C: D/I/O demo                               */
/* step 1: connect DO[0..15] to DI[0..15],           */
/*           IDO[0..15] to IDI[0..15]                */
/* step 2: run DEMO2.EXE                             */
/* ----- */

#include "PIO.H"
long piso_730_di(void);
long piso_730_idi(void);
WORD wBase,wlrq;
int main()
{
int i,j,k,k1,k2,l1,l2,jj,dd,j1,i1,j2,i2;
WORD wBoards,wRetVal,t1,t2,t3,t4,t5;
WORD wSubVendor,wSubDevice,wSubAux,wSlotBus,wSlotDevice;
long IOutPad1,IOutPad2,IInPad1,IInPad2;
char c;
clrscr();
/* step 1: find address-mapping of PIO/PISO cards */
.
.
/* step 2: enable all D/I/O port */
outportb(wBase,1); /* enable D/I/O */
IOutPad1=0x0001;
IOutPad2=0x8000;
for(;;)
{
gotoxy(1,8);
piso_730_do(IOutPad1);
IInPad1=piso_730_di();
piso_730_ido(IOutPad2);
delay(10000);
IInPad2=piso_730_idi();
printf("\n DO[0..15]=[%4lx] , DI[0..15]=[%4lx]",IOutPad1,IInPad1);
printf("\n IDO=[%4lx],!IDI=[%4lx]",IOutPad2,(~IInPad2&0xffff));
IOutPad1=(IOutPad1<<1)&0xffff;
IOutPad2=(IOutPad2>>1)&0xffff;
if (IOutPad1==0) IOutPad1=1;
if (IOutPad2==0) IOutPad2=0x8000;
if (kbhit()!=0) break;
}
PIO_DriverClose();
}
```

```
/* ----- */  
long piso_730_di(void)  
{  
    long IDiValue;  
    IDiValue=(inportb(wBase+0xcc)<<8);  
    IDiValue=(IDiValue|(inportb(wBase+0xc8)))&0xffff;  
    return(IDiValue);  
}  
  
/* ----- */  
long piso_730_idi(void)  
{  
    long IDiValue;  
    IDiValue=(inportb(wBase+0xc4)<<8);  
    IDiValue=(IDiValue|(inportb(wBase+0xc0)))&0xffff;  
    return(IDiValue);  
}
```

## 7.2.3 Demo3: Interrupt (DIO initial high)

```
/* ----- */
/* DEMO3.C: interrupt (DIO initial high) */
/* step 1: DIO to function generator */
/* step 2: run DEMO3.EXE */
/* ----- */

#include "PIO.H"
#define A1_8259 0x20
#define A2_8259 0xA0
#define EOI 0x20

WORD init_high();
void interrupt (*oldfunc) ();
static void interrupt irq_service();
int COUNT_L,COUNT_H,irqmask,now_int_state;

void piso_730_do(long IDoValue);
long piso_730_di(void);
void piso_730_ido(long IDoValue);
long piso_730_idi(void);

WORD wBase,wIrq;

int main()
{
int i,j,k,k1,k2,l1,l2,jj,dd,j1,i1,j2,i2;
WORD wBoards,wRetVal,t1,t2,t3,t4,t5;
WORD wSubVendor,wSubDevice,wSubAux,wSlotBus,wSlotDevice;
char c;

clrscr();
/* step 1: find address-mapping of PIO/PISO cards */
.
.
/* step 2: enable all D/I/O port */
outportb(wBase,1); /* enable D/I/O */
init_high();
printf("\n\n***** show the count of Low_pulse *****\n");
for(;;)
{
gotoxy(1,8);
printf("\nCOUNT_L=[%5d]",COUNT_L);
if (kbhit()!=0) break;
}
disable();
```

```
outputb(wBase+5,0);          /* disable all interrupt */
if (wlrq<8)
    {
        setvect(wlrq+8,oldfunc);
    }
else
    {
        setvect(wlrq-8+0x70,oldfunc);
    }
PIO_DriverClose();
}
/* ----- */
WORD init_high()
{
    DWORD dwVal;

    disable();
    outputb(wBase+5,0);          /* disable all interrupt */

    if (wlrq<8)
        {
            oldfunc=getvect(wlrq+8);
            irqmask=inportb(A1_8259+1);
            outputb(A1_8259+1,irqmask & (0xff ^ (1 << wlrq)));
            setvect(wlrq+8, irq_service);
        }
    else
        {
            oldfunc=getvect(wlrq-8+0x70);
            irqmask=inportb(A1_8259+1);
            outputb(A1_8259+1,irqmask & 0xfb);    /* IRQ2 */
            irqmask=inportb(A2_8259+1);
            outputb(A2_8259+1,irqmask & (0xff ^ (1 << (wlrq-8))));
            setvect(wlrq-8+0x70, irq_service);
        }

    outputb(wBase+0x2a,0);      /* invert DIO      */

    now_int_state=0x1;          /* now DIO is high */
    outputb(wBase+5,0x1);      /* enable DIO interrupt */
    enable();
}
```

## 7.2.4 Demo4: Interrupt (DIO initial low)

```
/* ----- */
/* DEMO4.C: Interrupt (DIO initial low) */
/* step 1: DIO to function generator */
/* step 2: run DEMO4.EXE */
/* ----- */

#include "PIO.H"
#define A1_8259 0x20
#define A2_8259 0xA0
#define EOI 0x20

WORD init_low();
void interrupt (*oldfunc) ();
static void interrupt irq_service();
int COUNT_L,COUNT_H,irqmask,now_int_state;

void piso_730_do(long IDoValue);
long piso_730_di(void);
void piso_730_ido(long IDoValue);
long piso_730_idi(void);

WORD wBase,wIrq;

int main()
{
int i,j,k,k1,k2,l1,l2,jj,dd,j1,i1,j2,i2;
WORD wBoards,wRetVal,t1,t2,t3,t4,t5;
WORD wSubVendor,wSubDevice,wSubAux,wSlotBus,wSlotDevice;
char c;

clrscr();
/* step 1: find address-mapping of PIO/PISO cards */
.
.
/* step 2: enable all D/I/O port */
outportb(wBase,1); /* enable D/I/O */

init_Low();

printf("\n\n***** show the count of High_pulse *****\n");
for(;;)
{
gotoxy(1,8);
printf("\nCOUNT_H=[%5d]",COUNT_H);
if (kbhit()!=0) break;
}
disable();
```

```
outputb(wBase+5,0);          /* disable all interrupt */
if (wlrq<8)
{
    setvect(wlrq+8,oldfunc);
}
else
{
    setvect(wlrq-8+0x70,oldfunc);
}
PIO_DriverClose();
}
/* ----- */
WORD init_low()
{
    DWORD dwVal;

    disable();
    outputb(wBase+5,0);      /* disable all interrupt */

    if (wlrq<8)
    {
        oldfunc=getvect(wlrq+8);
        irqmask=inportb(A1_8259+1);
        outputb(A1_8259+1,irqmask & (0xff ^ (1 << wlrq)));
        setvect(wlrq+8, irq_service);
    }
    else
    {
        oldfunc=getvect(wlrq-8+0x70);
        irqmask=inportb(A1_8259+1);
        outputb(A1_8259+1,irqmask & 0xfb); /* IRQ2 */
        irqmask=inportb(A2_8259+1);
        outputb(A2_8259+1,irqmask & (0xff ^ (1 << (wlrq-8))));
        setvect(wlrq-8+0x70, irq_service);
    }
    outputb(wBase+0x2a,1);    /* non-invert DIO */
    now_int_state=0x0;       /* now DIO is low */
    outputb(wBase+5,0x1);    /* enable DIO interrupt */
    enable();
}
/* ----- */
```

```
void interrupt irq_service()
{
if (now_int_state==1)          /* now DIO change to low          */
{
COUNT_L++;                  /* INT_CHAN_0 = !DIO          */
if ((inportb(wBase+7)&1)==0) /* find a low pulse (DIO)     */
{
outportb(wBase+0x2a,1); /* need to generate a high pulse */
now_int_state=0;      /* INVO select noninverted input */
}
else now_int_state=1;      /* now DIO=High              */
}
else                          /* now DIO change to high     */
{
COUNT_H++;                  /* INT_CHAN_0 = DIO          */
if ((inportb(wBase+7)&1)==1) /* find a high pulse (DIO)    */
{
outportb(wBase+0x2a,0); /* need to generate a high pulse */
now_int_state=1;      /* INVO select inverted input   */
}
else now_int_state=0;      /* now DIO=low                */
}
if (wlrq>=8) outportb(A2_8259,0x20);
outportb(A1_8259,0x20);
}
```



## 7.2.5 Demo5: Interrupt (Multi interrupt source)

```
/* ----- */
/* DEMO5.C: Interrupt (Multi interrupt source) */
/*      DIO : initial low ,  DI1 : initial high */
/*                                           */
/* step 1: connect DIO & DI1 to function generator */
/* step 2: run DEMO5.EXE */
/* ----- */

#include "PIO.H"
#define A1_8259 0x20
#define A2_8259 0xA0
#define EOI     0x20

WORD init();
void interrupt (*oldfunc) ();
static void interrupt irq_service();
int  irqmask,now_int_state,new_int_state,invert,int_c,int_num;
int  CNT_L1,CNT_L2,CNT_H1,CNT_H2;

WORD wBase,wIrq;

int main()
{
int  i,j,k;
WORD wBoards,wRetVal,t1,t2,t3,t4,t5;
WORD wSubVendor,wSubDevice,wSubAux,wSlotBus,wSlotDevice;
char c;

clrscr();
/* step 1: find address-mapping of PIO/PISO cards */
    .
    .
/* step 2: enable all D/I/O port */
outportb(wBase,1); /* enable D/I/O */
init();
printf("\n\n***** show the count of High_pulse *****\n");
for(;;)
{
gotoxy(1,8);
printf("\nCNT_L1,CNT_L2=[%5d,%5d]",CNT_L1,CNT_L2);
printf("\nCNT_H1,CNT_H2=[%5d,%5d]",CNT_H1,CNT_H2);
if (kbhit()!=0) break;
}
```

```
disable();
outportb(wBase+5,0);
if (wlrq<8)
{
    setvect(wlrq+8,oldfunc);
}
else
{
    setvect(wlrq-8+0x70,oldfunc);
}
PIO_DriverClose();
}

/* ----- */
WORD init()
{
    DWORD dwVal;
    disable();
    outportb(wBase+5,0);
    if (wlrq<8)
    {
        oldfunc=getvect(wlrq+8);
        irqmask=inportb(A1_8259+1);
        outportb(A1_8259+1,irqmask & (0xff ^ (1 << wlrq)));
        setvect(wlrq+8, irq_service);
    }
    else
    {
        oldfunc=getvect(wlrq-8+0x70);
        irqmask=inportb(A1_8259+1);
        outportb(A1_8259+1,irqmask & 0xfb);
        irqmask=inportb(A2_8259+1);
        outportb(A2_8259+1,irqmask & (0xff ^ (1 << (wlrq-8))));
        setvect(wlrq-8+0x70, irq_service);
    }
    invert=0x1;
    outportb(wBase+0x2a,invert);
    now_int_state=0x2;
    outportb(wBase+5,0x3);
    enable();
}

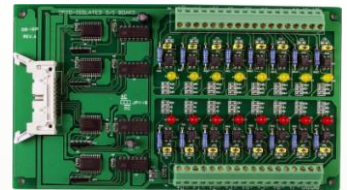
/* ----- */
```

```
void interrupt irq_service()
{
int_num++;
new_int_state=inportb(wBase+7)&0x3;
int_c=new_int_state^now_int_state;
if ((int_c&0x1)!=0)          /* now INT_CHAN_0 change to high */
{
if ((new_int_state&0x01)!=0)
{
CNT_H1++;
}
else
{
CNT_L1++; } /* now INT_CHAN_0 change to low */
invert=invert^1; /* generate a high pulse */
}
if ((int_c&0x2)!=0)          /* now INT_CHAN_1 change to high */
{
if ((new_int_state&0x02)!=0)
{
CNT_H2++; }
else
{
CNT_L2++; } /* now INT_CHAN_1 change to low */
invert=invert^2; /* generate a high pulse */
}
now_int_state=new_int_state;
outportb(wBase+0x2a,invert);
if (wlrq>=8) outportb(A2_8259,0x20);
outportb(A1_8259,0x20);
}
```

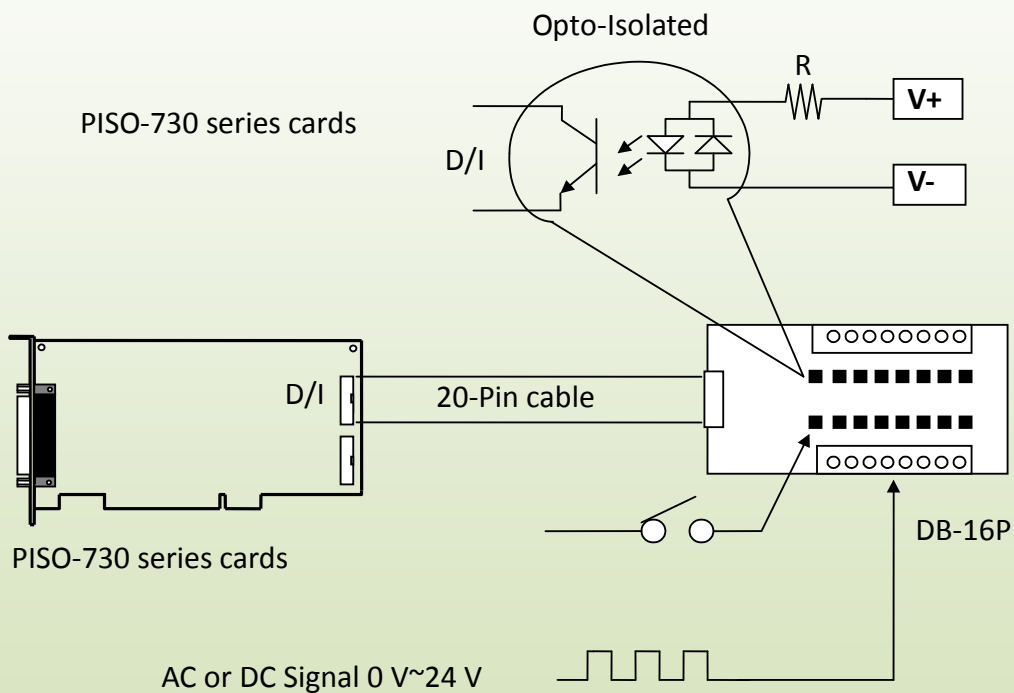
## Appendix: Daughter Board

### A1. DB-16P Isolated Input Board

The DB-16P is a 16-channel isolated digital input daughter board. The optically isolated inputs of the DB-16P are consisted of are bi-directional optocoupler with resistor for current sensing. You can use the DB-16P to sense DC signal from TTL levels up to 24 V or use the DB-16P to sense a wide range of AC signals. You can use this board to isolate the computer from large common-mode voltage, ground loops and transient voltage spike that often occur in industrial environments.

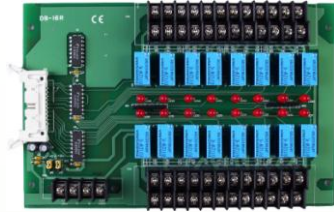


DB-16P



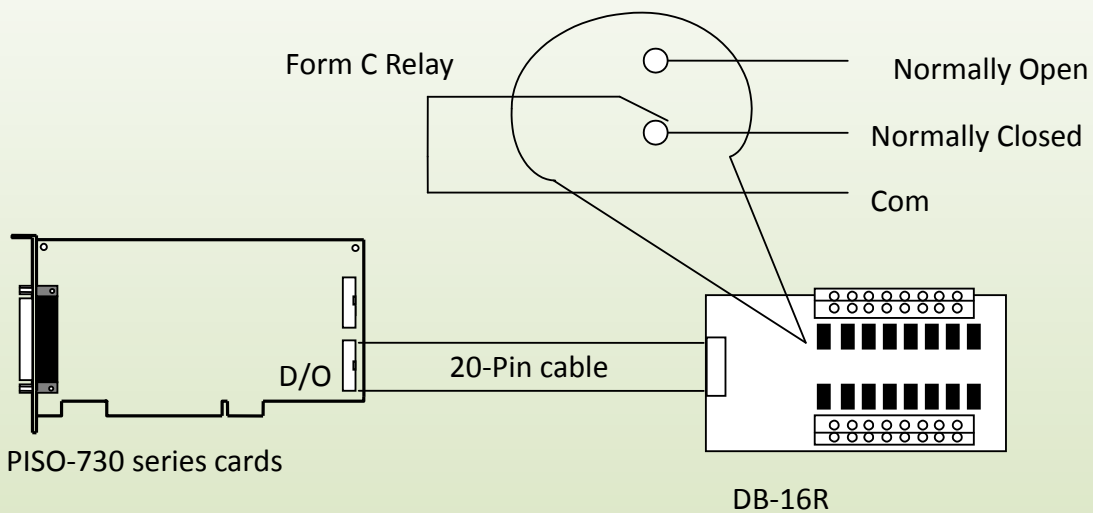
## A2. DB-16R Relay Board

The DB-16R is a 16-channel relay output board consisting of 16 Form C relays that enable efficient switching of a load using programmable control. It is both a connector and functionally is compatible with 785 series boards, but with an industrial type terminal block. The relay is powered by applying a 5 V signal to the appropriate relay channel on the 20-pin flat connector. There are 16 LEDs for each relay, which illuminated when their associated relay is activated. This board includes a screw terminal that can be used to connect an external power supply in order to prevent overloading your PC's power supply.



DB-16R

The application example for the DB-16R in the PISO-730 is illustrated in below figure.



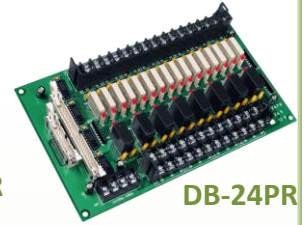
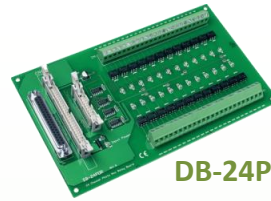
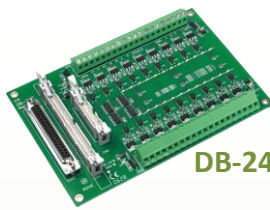
**Note:**

Channel: 16 Form C Relay

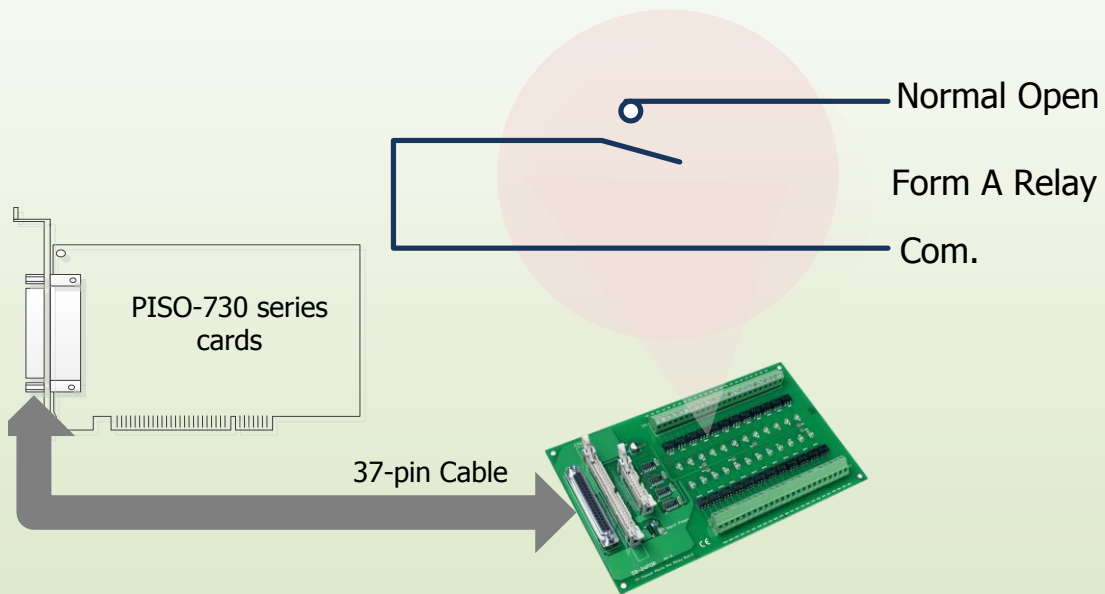
Relay: Switching up to 0.5 A at 110 VAC/ 1 A at 24 VDC

### A3. DB-24PR, DB-24POR and DB-24C

The DB-24PR, 24-channel power relay output board, consists of 8 form-C and 16 form-A electromechanical relays for efficiently controlling



the switch with the use of an appropriately loaded program. The contact of each relay can allow 5 A current load at 250 V<sub>AC</sub>/30 V<sub>DC</sub>. The relay is energized by applying a 5 voltage signal to the associate relay channel on the 20-pin flat-cable connector (just used 16 relays) or 50-pin flat-cable connector (OPTO-22 compatible, for DIO-24 series). 24 enunciator LEDs for indicating the status of for each relay and the corresponding LED light will go on when their associated relay has been activated. To avoid overloading your PC's power supply, this board needs a +12 V<sub>DC</sub> or +24V<sub>DC</sub> external power supply, as shown in below figure.



<b>DB-24PR</b>	24 * Power Relay, 5A/250 V
<b>DB-24POR</b>	24 * PhotoMOS Relay, 0.1 A/350 V <sub>AC</sub>
<b>DB-24C</b>	24 Open Collector, 100 mA per channel, 30 V max.

Notes:

- 50-Pin connector (OPTO-22 compatible) for DIO-24/48/144, PIO-DIO series.
- Channel: 16 Form A Relay, 8 Form C Relay.
- Relay: switching up to 5 A at 110 V<sub>AC</sub>/5 A at 30 V<sub>DC</sub>.

## A4. Daughter Board comparison Table

	20-pin flat-cable header	50-pin flat-cable header	DB-37 header
DB-37	No	No	Yes
DN-37	No	No	Yes
ADP-37/PCI	No	Yes	Yes
ADP-50/PCI	No	Yes	No
DB-24P	No	Yes	No
DB-24PD	No	Yes	Yes
DB-16P8R	No	Yes	Yes
DB-24R	No	Yes	No
DB-24RD	No	Yes	Yes
DB-24C	Yes	Yes	Yes
DB-24PR	Yes	Yes	No
Db-24PRD	No	Yes	Yes
DB-24POR	Yes	Yes	Yes
DB-24SSR	No	Yes	Yes



*Note: The PISO-730 series card has two 20-pin flat-cable headers and one 37 pin D-type Connector.*