

tM-AD Series User Manual

Warranty

All products manufactured by ICP DAS are under warranty regarding defective materials for a period of one year from the date of delivery to the original purchaser.

Warning

ICP DAS assumes no liability for damages resulting from the use of this product. ICP DAS reserves the right to change this manual at any time without notification. The information furnished by ICP DAS is believed to be accurate and reliable. However, no responsibility is assumed by ICP DAS for its use, or for any infringements of patents or other rights of third parties resulting from its use.

Copyright

Copyright 2011 ICP DAS. All rights reserved.

Trademark

The names used for identification only may be registered trademarks of their respective companies.

Date: 2016/11/22

Table of Contents

1. Introduction	5
1.1 More Information	7
1.2 Terminal Assignment	8
1.3 Specifications	13
1.4 Block Diagrams	16
1.4.1 Block diagram for the tM-AD2	16
1.4.2 Block diagram for the tM-AD5	16
1.4.3 Block diagram for the tM-AD5C	17
1.4.4 Block diagram for the tM-AD8	17
1.4.5 Block diagram for the tM-AD8C	18
1.5 Dimensions	19
1.6 Wiring Diagrams	20
1.6.1 Wiring diagram for the tM-AD2	20
1.6.2 Wiring diagram for the tM-AD5	20
1.6.3 Wiring diagram for the tM-AD5C	21
1.6.4 Wiring diagram for the tM-AD8	21
1.6.5 Wiring diagram for the tM-AD8C	21
1.6.6 Wiring Recommendations	22
1.7 Quick Start	23
1.8 Default Settings	24
1.9 Calibration	25
1.10 Configuration Tables	27
1.11 Mounting	32
1.11.1 DIN Rail Mounting	32
1.12 Technical Support	34
2. DCON Protocol	35
2.1 %AANNTTCCFF	38
2.2 #AA	41
2.3 #AAN	43
2.4 \$AA0	45
2.5 \$AA1	47
2.6 \$AA0Ci	49
2.7 \$AA1Ci	51
2.8 \$AA2	53
2.9 \$AA5VV	55
2.10 \$AA6	57
2.11 \$AA7CiRrr	59
2.12 \$AA8Ci	61
2.13 \$AAA	63
2.14 \$AAF	65

2.15 \$AAM.....	66
2.16 \$AAP.....	68
2.17 \$AAPN.....	70
2.18 ~AAEV.....	72
2.19 ~AAO(Name).....	74
2.20 ~**.....	76
2.21 ~AA0.....	77
2.22 ~AA1.....	79
2.23 ~AA2.....	81
2.24 ~AA3EVV.....	83
2.25 ~AARD.....	85
2.26 ~AARDVV.....	87
3. Modbus Protocol.....	89
3.1 02 (0x02) Read Input Status.....	90
3.2 04 (0x04) Read Input Channels.....	91
3.3 70 (0x46) Read/Write Module Settings.....	92
3.3.1 Sub-function 00 (0x00) Read module name.....	93
3.3.2 Sub-function 04 (0x04) Set module address.....	94
3.3.3 Sub-function 05 (0x05) Read communication settings.....	95
3.3.4 Sub-function 06 (0x06) Set communication settings.....	96
3.3.5 Sub-function 07 (0x07) Read type code.....	98
3.3.6 Sub-function 08 (0x08) Set type code.....	99
3.3.7 Sub-function 32 (0x20) Read firmware version.....	100
3.3.8 Sub-function 37 (0x25) Read channel enabled/disabled status	101
3.3.9 Sub-function 38 (0x26) Set channel enable/disable.....	102
3.3.10 Sub-function 41 (0x29) Read miscellaneous settings.....	103
3.3.11 Sub-function 42 (0x2A) Write miscellaneous settings.....	104
3.4 Address Mappings.....	105
3.4.1 tM-AD2 Address Mappings.....	105
3.4.2 tM-AD5 Address Mappings.....	107
3.4.3 tM-AD5C Address Mappings.....	109
3.4.4 tM-AD8 Address Mappings.....	111
3.4.5 tM-AD8C Address Mappings.....	113
3.5 Engineering Data Format Table.....	115
3.5.1 tM-AD2 Engineering Data Format Table.....	115
3.5.2 tM-AD5 Engineering Data Format Table.....	115
3.5.3 tM-AD5C Engineering Data Format Table.....	115
3.5.4 tM-AD8 Engineering Data Format Table.....	116
3.5.5 tM-AD8C Engineering Data Format Table.....	116
4. Troubleshooting.....	117
4.1 Communicating with the module.....	118
4.2 Reading Data.....	119
A. Appendix.....	120

A.1 INIT Mode.....	120
A.2 Dual Watchdog Operation.....	122
A.3 Frame Ground.....	123

1. Introduction

The tM series is a family of network data acquisition and control modules, providing analog-to-digital, digital-to-analog, digital input/output, timer/counter and other functions. The modules can be remotely controlled using a set of commands, which we call the DCON protocol, or the standard Modbus protocol. Communication between the module and the host is in ASCII format via an RS-485 bi-directional serial bus standard. Baud Rates are software programmable and transmission speeds of up to 115.2K baud can be selected.

The tM series feature a new design for the frame ground and INIT switch as shown in the figure. The frame ground provides enhanced static protection (ESD) abilities and ensures the module is more reliable. The INIT switch allows easier access to INIT mode. Please refer to Sections A.1 and A.3 for more details.



The common features of the tM-AD series are as follows:

1. 2500V DC inter-module isolation
2. 16-bit sigma-delta ADC to provide excellent accuracy
3. Software calibration

The tM-AD2 is a 2-channel single-ended voltage and current input module.

The tM-AD5 is a 5-channel differential voltage input module.

The tM-AD5C is a 5-channel differential current input module.

The tM-AD8 is an 8-channel single-ended voltage input module.

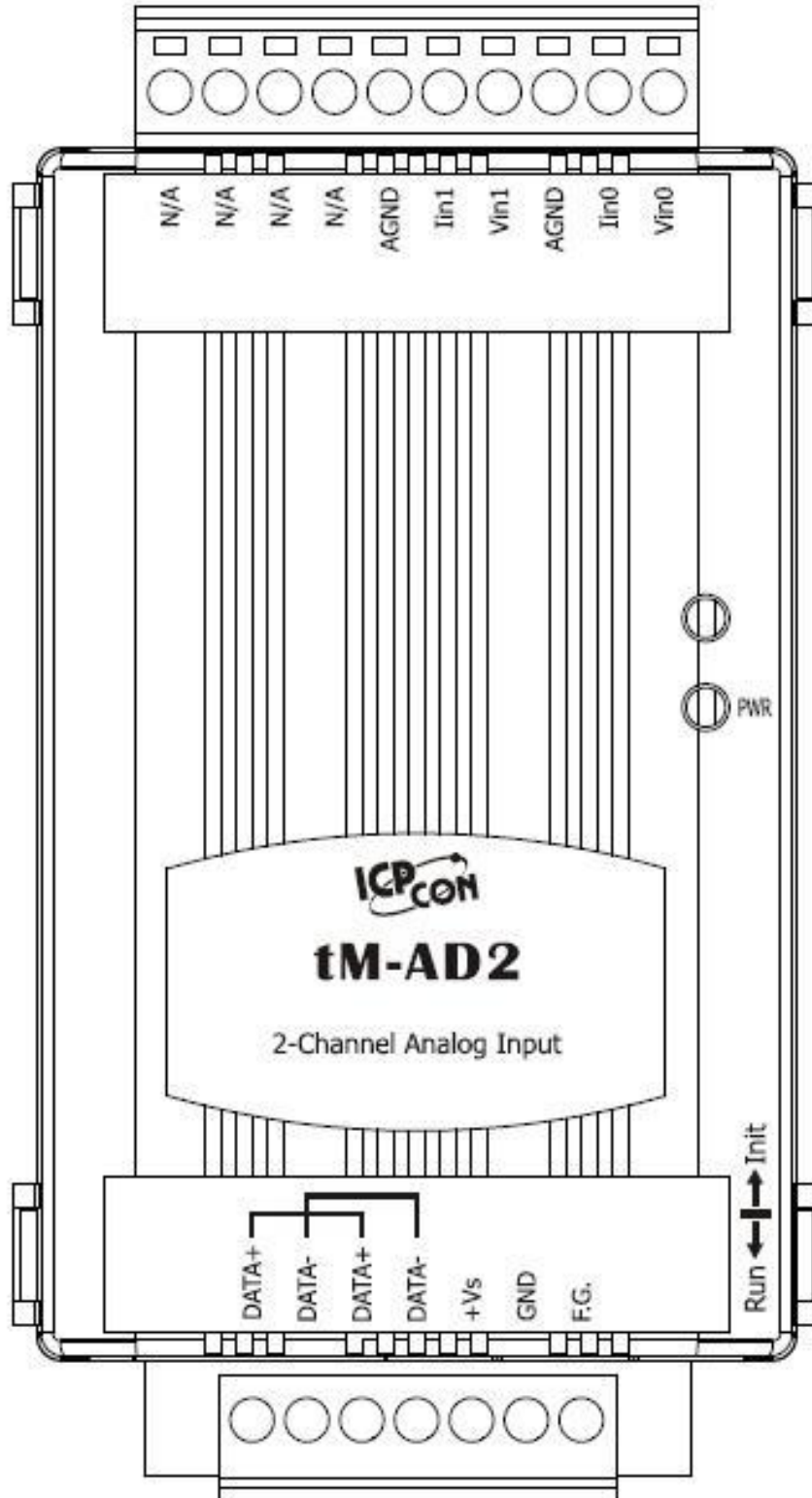
The tM-AD8C is an 8-channel single-ended current input module.

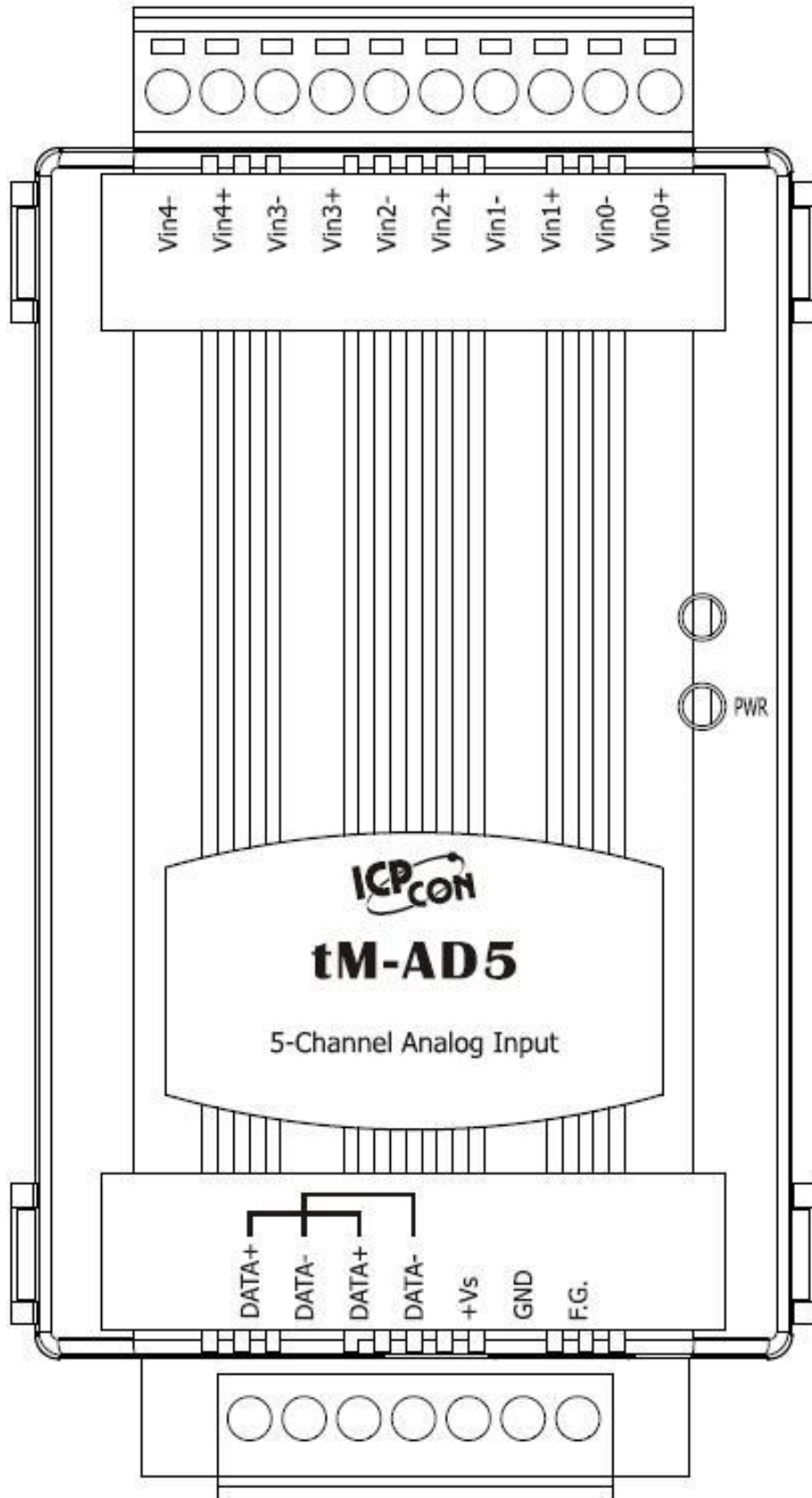
The tM-AD series are designed for industrial plant environments and have special input circuits to provide 120VDC continuous overload protection.

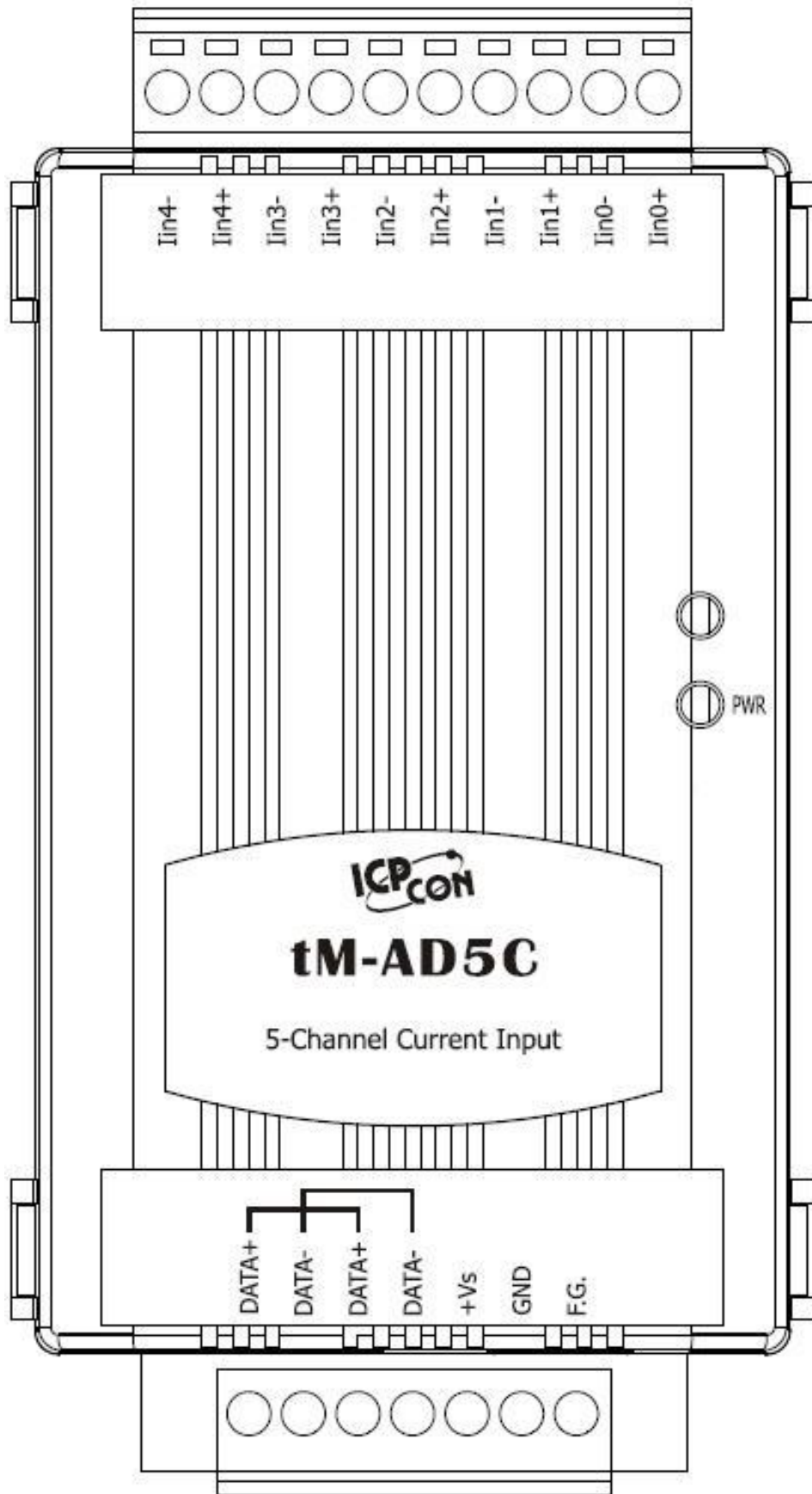
1.1 More Information

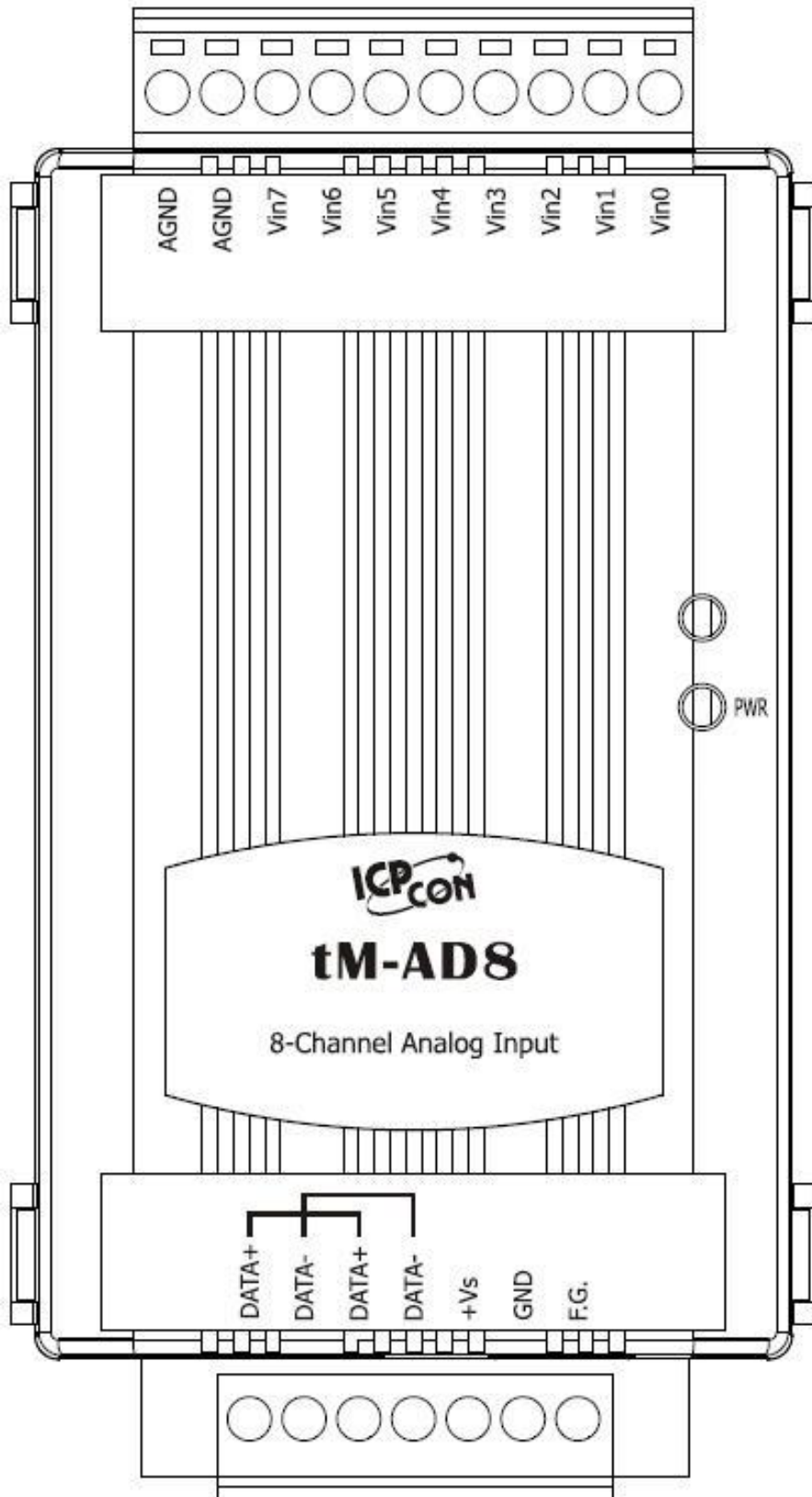
- For details of **INIT mode** operation, please refer to Section A.1 INIT Mode.
- For details of **module watchdog** and **host watchdog**, please refer to Section A.2 Dual Watchdog Operation.
- For details of **ESD protection** and **grounding**, please refer to Section A.3 Frame Ground.

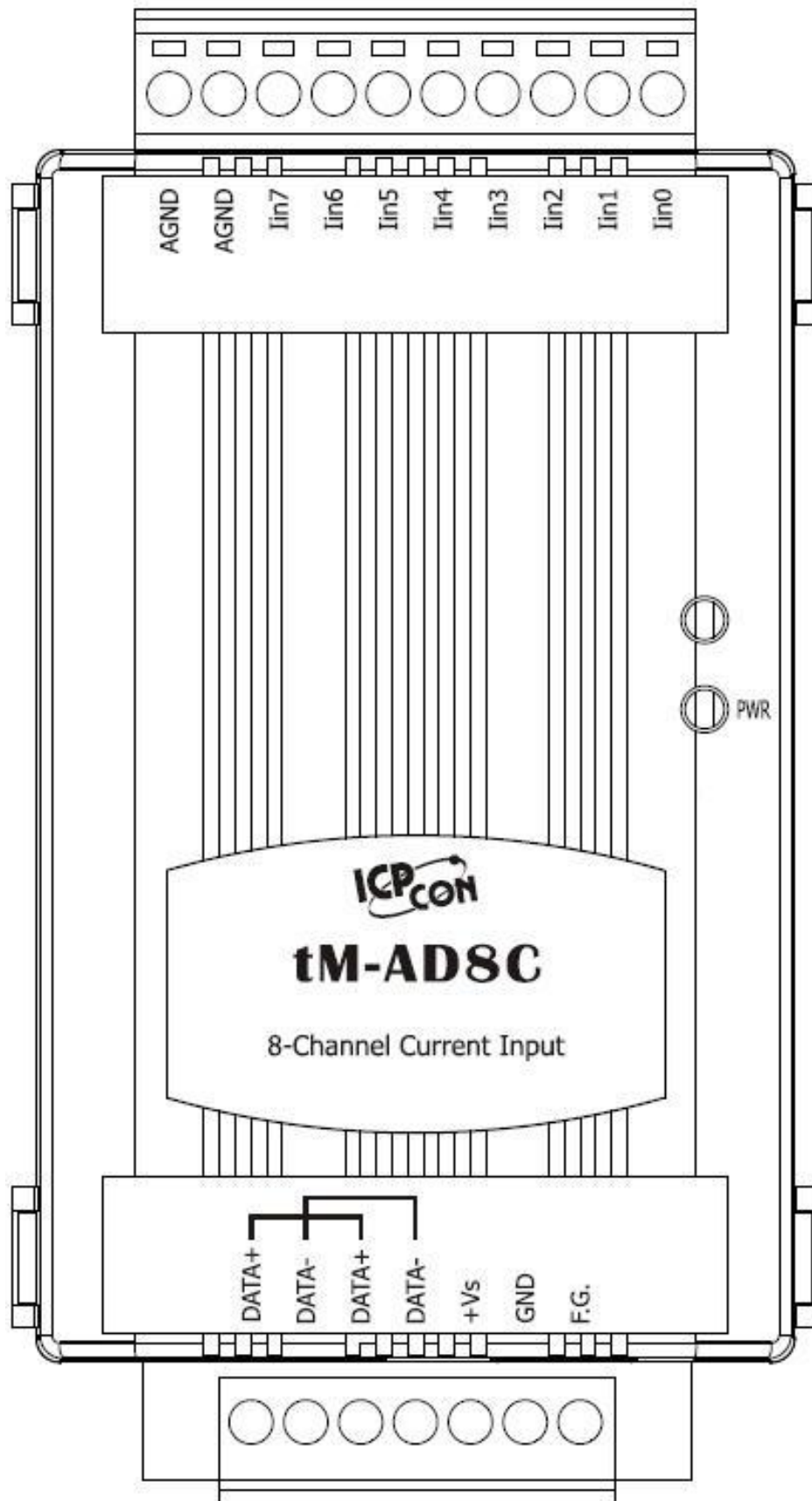
1.2 Terminal Assignment











1.3 Specifications

	tM-AD2	
Analog Input		
Input Channels	2 single-ended	
Input Type	0~500 mV, 0~1 V, 0~2.5 V, 0~5 V, 0~10 V, 0~20 mA, 4~20 mA	
Resolution	14 bits (normal) 12 bits (fast)	
Sampling Rate	10 samples/sec (normal) 200 samples/sec (fast)	
Accuracy	±0.1% (normal) ±0.5% (fast)	
Zero Drift	20μV/°C	
Span Drift	25ppm/°C	
Input Impedance	10MΩ (voltage) 125Ω (current)	
Voltage overload Protection	±120VDC	
Isolation	2500V DC	
Modbus RTU/ASCII	Yes	
EMS Protection		
ESD (IEC 61000-4-2)	±4 kV Contact for Each Terminal ±8 kV Air for Random Point	
EFT (IEC 61000-4-4)	±4 kV for Power	
Power		
Requirement	+10 to +30V DC	
Consumption	0.7W	
Temperature Range		
Operating	-25°C to +75°C	
Storage	-30°C to +75°C	

Note: A warm up period of 30 minutes is recommended in order to achieve the complete performance results described in the specifications.

	tM-AD5	tM-AD5C
Analog Input		
Input Channels	5 differential	5 differential
Input Type	+/-1 V, +/-2.5 V, +/-5 V, +/-10 V	0~20 mA, 4~20 mA, +/-20 mA
Resolution	14 bits (normal) 12 bits (fast)	14 bits (normal) 12 bits (fast)
Sampling Rate	10 samples/sec (normal) 200 samples/sec (fast)	10 samples/sec (normal) 200 samples/sec (fast)
Accuracy	±0.1% (normal) ±0.5% (fast)	±0.1% (normal) ±0.5% (fast)
Zero Drift	20μV/°C	20μV/°C
Span Drift	25ppm/°C	25ppm/°C
Input Impedance	20MΩ	125Ω
Voltage overload Protection	±120VDC	
Isolation	2500V DC	2500V DC
Modbus RTU/ASCII	Yes	Yes
EMS Protection		
ESD (IEC 61000-4-2)	±4 kV Contact for Each Terminal ±8 kV Air for Random Point	±4 kV Contact for Each Terminal ±8 kV Air for Random Point
EFT (IEC 61000-4-4)	±4 kV for Power	±4 kV for Power
Surge (IEC 61000-4-5)	±3 kV for Power	±3 kV for Power
Power		
Requirement	+10 to +30V DC	+10 to +30V DC
Consumption	1.0W	1.0W
Temperature Range		
Operating	-25°C to +75°C	-25°C to +75°C
Storage	-30°C to +75°C	-30°C to +75°C

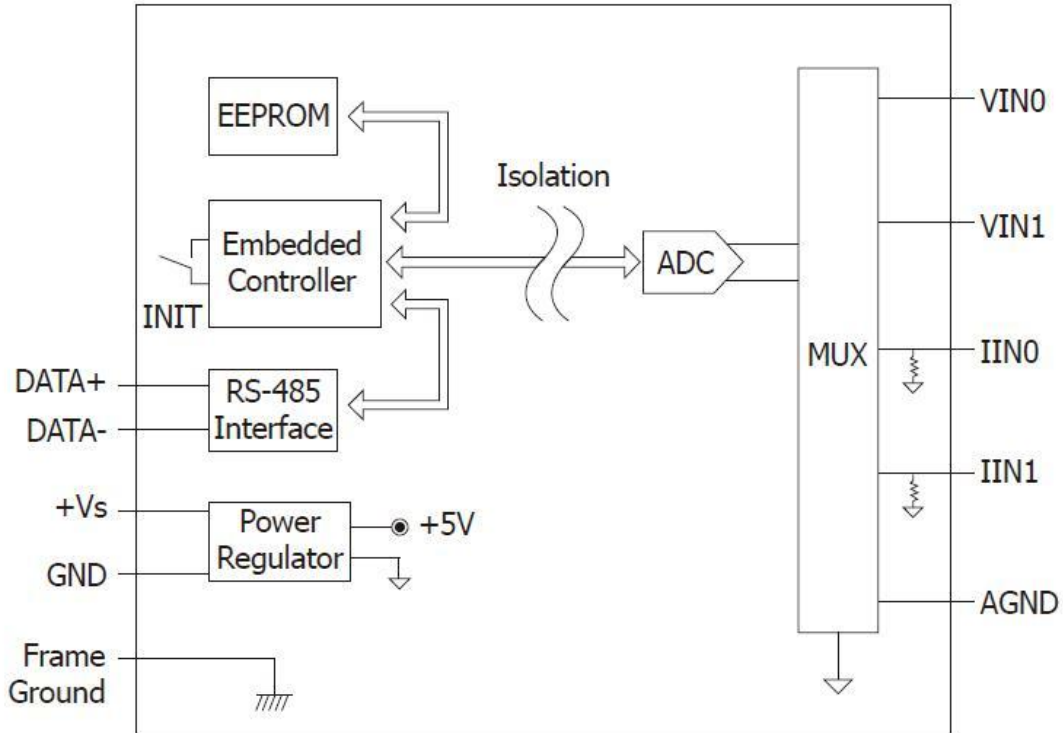
Note: A warm up period of 30 minutes is recommended in order to achieve the complete performance results described in the specifications.

	tM-AD8	tM-AD8C
Analog Input		
Input Channels	8 single-ended	8 single-ended
Input Type	0~500 mV, 0~1 V, 0~2.5 V, 0~5 V, 0~10 V	0~20 mA, 4~20 mA
Resolution	14 bits (normal) 12 bits (fast)	14 bits (normal) 12 bits (fast)
Sampling Rate	10 samples/sec (normal) 200 samples/sec (fast)	10 samples/sec (normal) 200 samples/sec (fast)
Accuracy	±0.1% (normal) ±0.5% (fast)	±0.1% (normal) ±0.5% (fast)
Zero Drift	20μV/°C	20μV/°C
Span Drift	25ppm/°C	25ppm/°C
Input Impedance	10MΩ	125Ω
Voltage overload Protection	±120VDC	
Isolation	2500V DC	2500V DC
Modbus RTU/ASCII	Yes	Yes
EMS Protection		
ESD (IEC 61000-4-2)	±4 kV Contact for Each Terminal ±8 kV Air for Random Point	±4 kV Contact for Each Terminal ±8 kV Air for Random Point
EFT (IEC 61000-4-4)	±2 kV for Power	±2 kV for Power
Surge (IEC 61000-4-5)	±3 kV for Power	±3 kV for Power
Power		
Requirement	+10 to +30V DC	+10 to +30V DC
Consumption	0.7W	0.7W
Temperature Range		
Operating	-25°C to +75°C	-25°C to +75°C
Storage	-30°C to +75°C	-30°C to +75°C

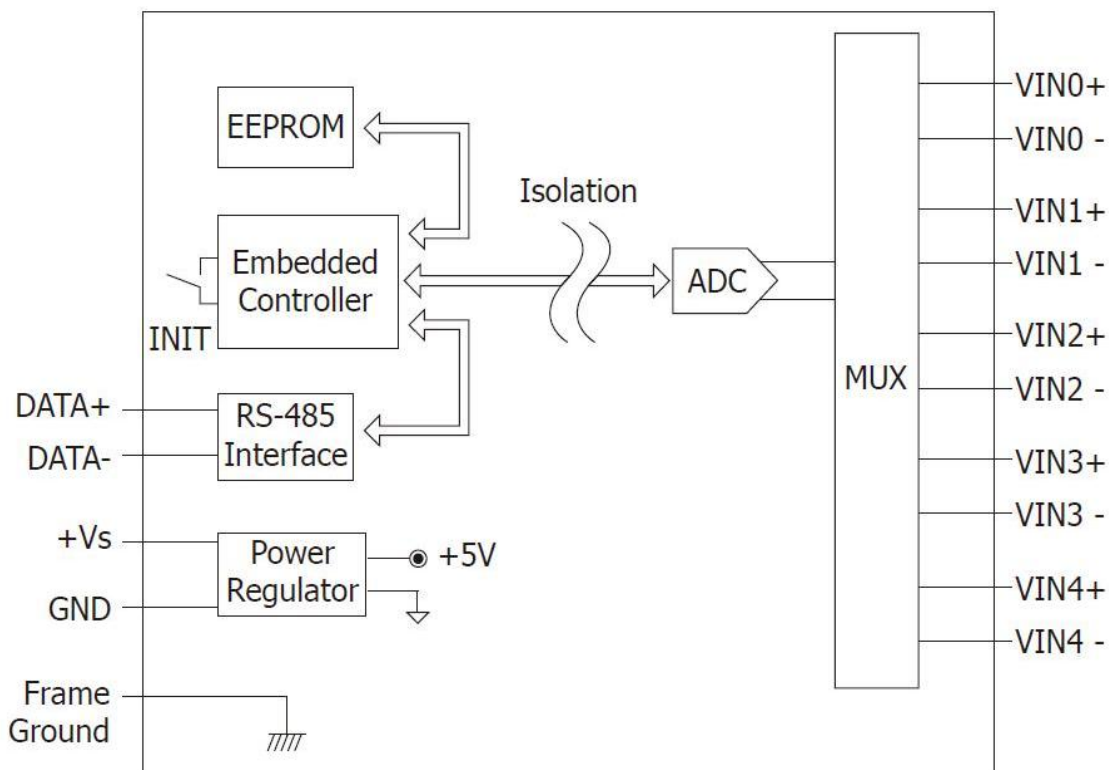
Note: A warm up period of 30 minutes is recommended in order to achieve the complete performance results described in the specifications.

1.4 Block Diagrams

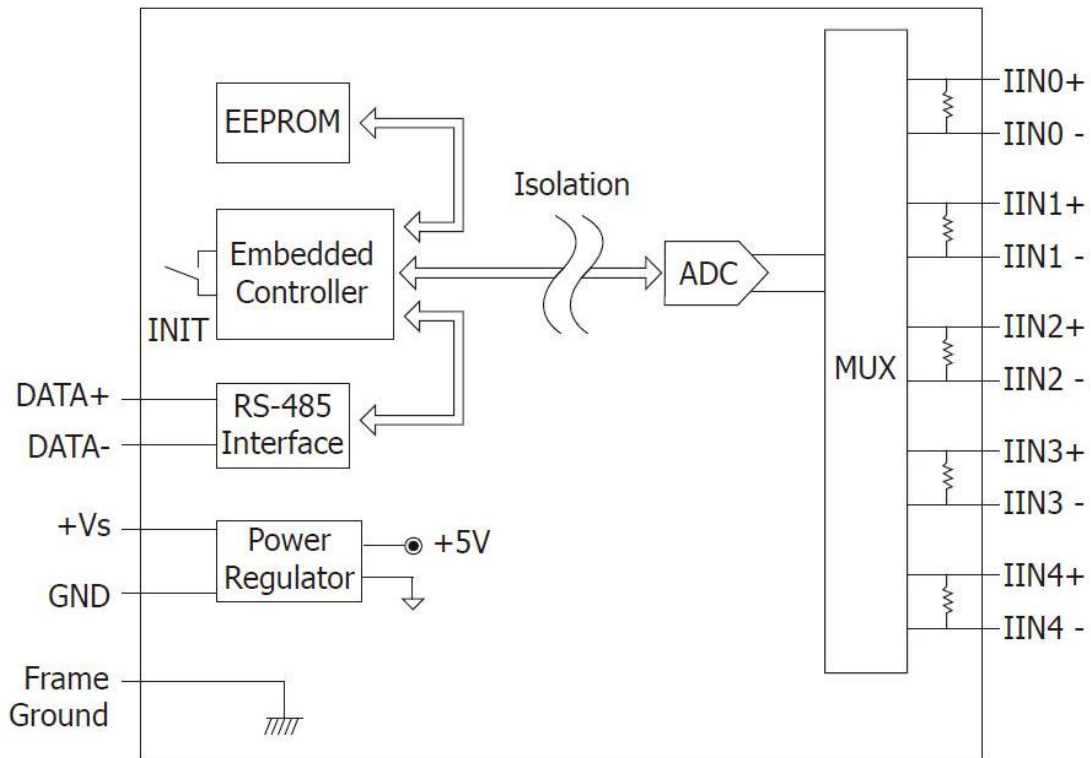
1.4.1 Block diagram for the tM-AD2



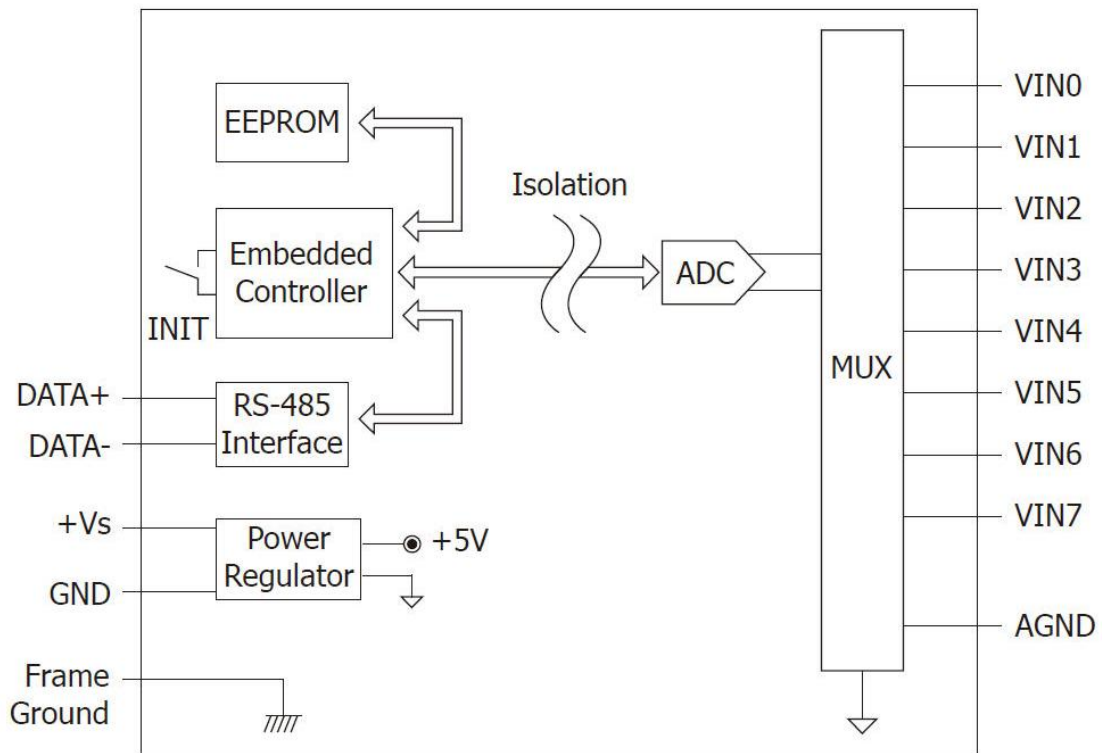
1.4.2 Block diagram for the tM-AD5



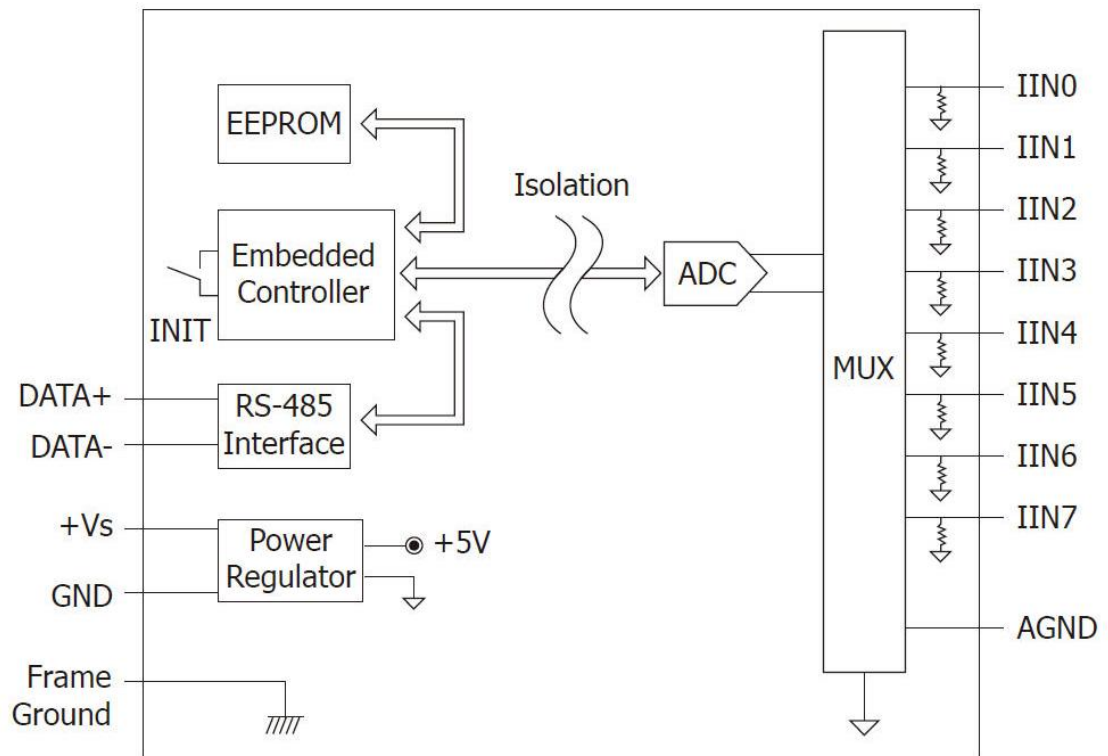
1.4.3 Block diagram for the tM-AD5C



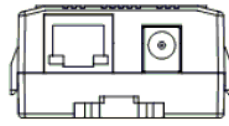
1.4.4 Block diagram for the tM-AD8



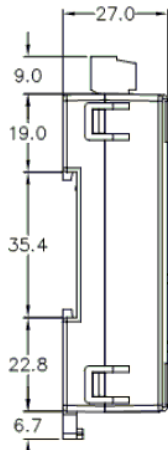
1.4.5 Block diagram for the tM-AD8C



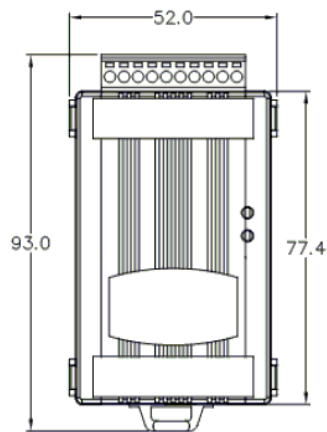
1.5 Dimensions



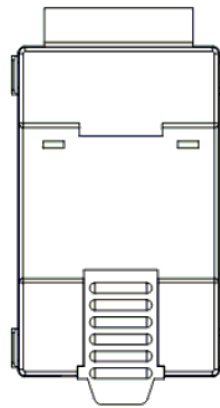
Top View



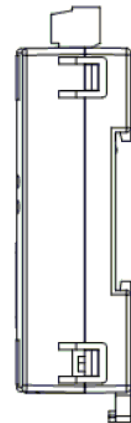
Left Side View



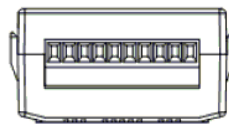
Front View



Back View



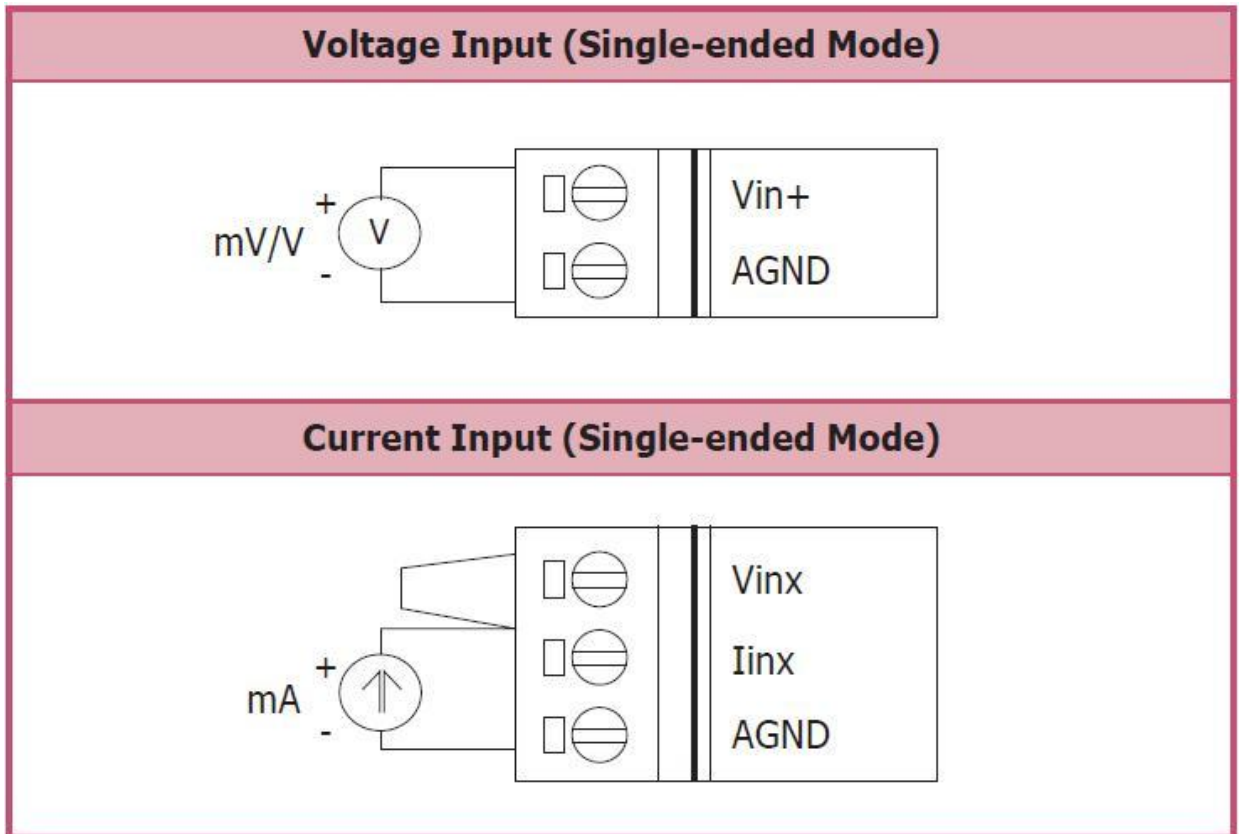
Right Side View



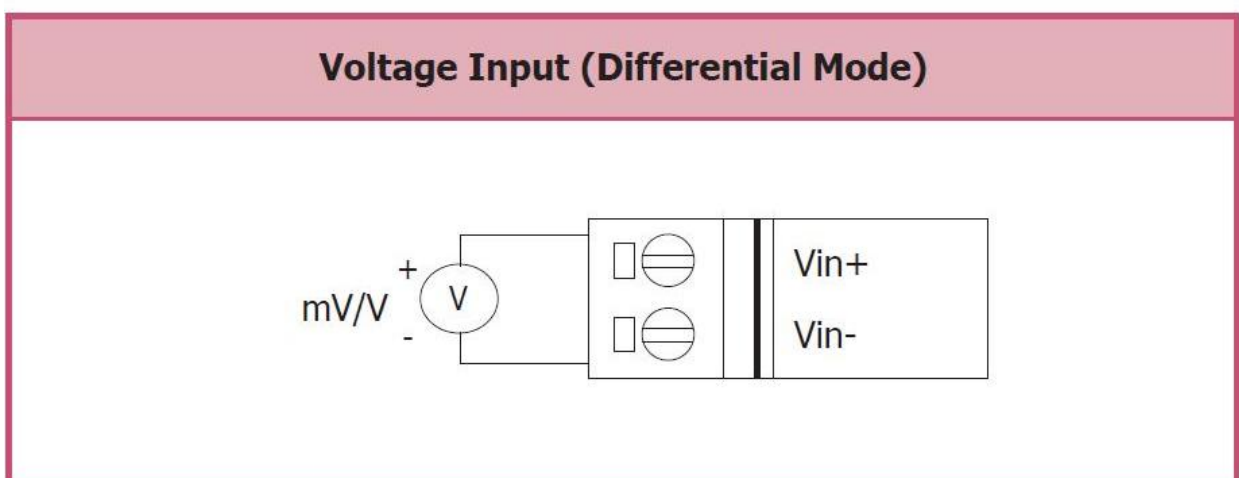
Bottom View

1.6 Wiring Diagrams

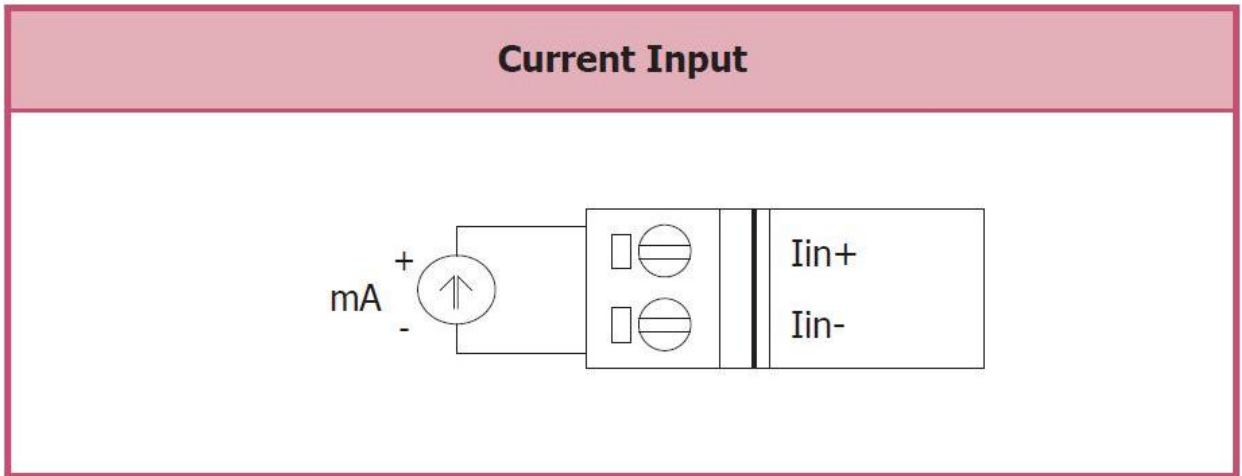
1.6.1 Wiring diagram for the tM-AD2



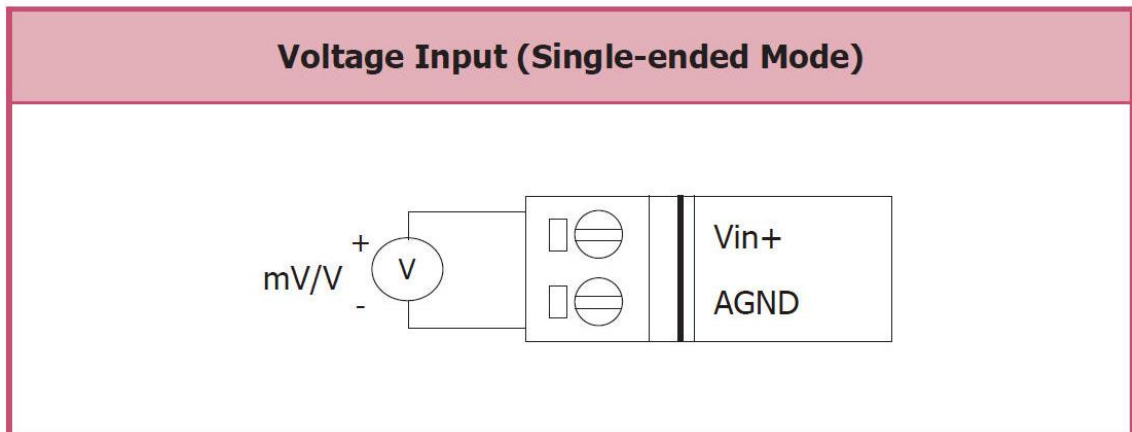
1.6.2 Wiring diagram for the tM-AD5



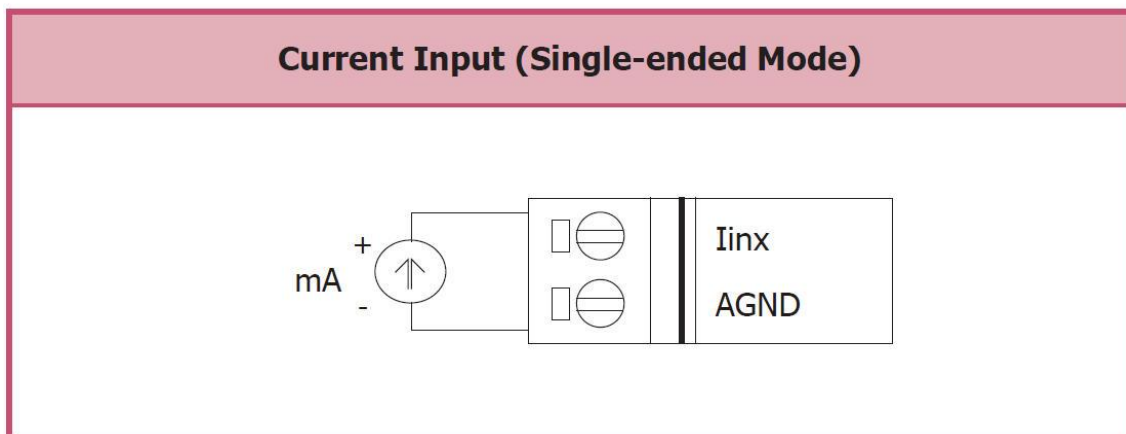
1.6.3 Wiring diagram for the tM-AD5C



1.6.4 Wiring diagram for the tM-AD8



1.6.5 Wiring diagram for the tM-AD8C



1.6.6 Wiring Recommendations

- Use 26-12 AWG wire for signal connections.
- Strip the wire to a length of 7 ± 0.5 mm.
- Use a crimp terminal for wiring.
- Avoid high-voltage cables and power equipment as much as possible.
- For RS-485 communication, use insulated and twisted pair 24 AWG wire, e.g. Belden 9841.

1.7 Quick Start

Please refer to the Quick Start Guide for tM series AIO.

1.8 Default Settings

Default settings for the tM AD modules are as follows:

- Protocol: Modbus RTU
- Module Address: 01
- Analog Input Type:
 - type code 08, -10V to 10V, for tM-AD2, tM-AD5 and tM-AD8
 - type code 0D, -20mA to 20mA, for tM-AD5C and tM-AD8C
- Baud Rate: 9600 bps

1.9 Calibration

Warning: *It is not recommended that calibration be performed until the process is fully understood.*

The calibration procedure is as follows:

1. Warm up the module for 30 minutes.
2. Set the type code to the type you want to calibrate. Refer to Sections 2.1 and 2.11 for details.
3. Enable calibration. Refer to Section 2.18 for details.
4. Apply the zero calibration voltage/current.
5. Send the zero calibration command. Refer to Sections 2.5 and 2.7 for details.
6. Apply the span calibration voltage/current.
7. Send the span calibration command. Refer to Sections 2.4 and 2.6 for details.
8. Repeat steps 3 to 7 three times.

Notes:

1. Connect the calibration voltage/current to channel 0 for tM-AD5 and tM-AD8 series. For tM-AD2, each channel must be calibrated separately.
2. Calibration voltages and currents are shown below.
3. The modules must be switched to the DCON protocol mode before calibrating. Refer to Section 3.3.4 and 3.4 for details of the switching protocol.

Calibration voltages/current used by the tM-AD series:

Type Code	05	08	09	0A	0B	0D
Zero Input	0V	0V	0V	0V	0mV	0mA
Span Input	+2.5V	+10V	+5V	+1V	+500mV	+20mA

1.10 Configuration Tables

Baud Rate Setting (CC)

7	6	5	4	3	2	1	0
Data		Baud					

Key	Description
Baud	<p>Baud Rate</p> <p>03: 1200</p> <p>04: 2400</p> <p>05: 4800</p> <p>06: 9600</p> <p>07: 19200</p> <p>08: 38400</p> <p>09: 57600</p> <p>0A: 115200</p>
Data	<p>Data Format</p> <p>0: eight data bits, no parity, and one stop bit</p> <p>1: eight data bits, no parity, and two stop bit</p> <p>2: eight data bits, even parity, and one stop bit</p> <p>3: eight data bits, odd parity, and one stop bit</p>

Analog Input Type Setting (TT)

Type Code	Analog Input Type	Range	Module
05	+/-2.5V	-2.5V ~ 2.5V	tM-AD5
	0 to +2.5V	0V ~ 2.5V	tM-AD2, tM-AD8
06	+/-20mA	-20mA ~ 20mA	tM-AD5C
	0 to +20mA	0mA ~ 20mA	tM-AD2, tM-AD8C
07	+4 to +20mA	4mA ~ 20mA	tM-AD2, tM-AD5C, tM-AD8C
08	+/-10V	-10V ~ 10V	tM-AD5
	0 to +10V	0V ~ 10V	tM-AD2, tM-AD8
09	+/-5V	-5V ~ 5V	tM-AD5
	0 to +5V	0V ~ 5V	tM-AD2, tM-AD8
0A	+/-1V	-1V ~ 1V	tM-AD5
	0 to +1V	0V ~ 1V	tM-AD2, tM-AD8
0B	0 to +500mV	0mV ~ 500mV	tM-AD2, tM-AD8
0D	+/-20mA	-20mA ~ 20mA	tM-AD5C
	0 to +20mA	0mA ~ 20mA	tM-AD2, tM-AD8C
1A	0 to +20mA	0mA ~ 20mA	tM-AD2, tM-AD5C, tM-AD8C

Data Format Setting (FF)

7	6	5	4	3	2	1	0
RS	CS	MS	RS			DF	

Key	Description
DF	Data format 00: Engineering unit 01: % of FSR (full scale range) 10: 2's complement hexadecimal
MS	Mode setting 0: Normal mode (14 bits) 1: Fast mode (12 bits)
CS	Checksum setting 0: Disabled 1: Enabled
RS	Reserved.

Notes:

1. The reserved bits should be zero.
2. The % of FSR data format is only applicable to the DCON protocol.
3. The checksum setting is only applicable to the DCON protocol.

4. Analog Input Type and Data Format Table

Notes:

1. The data format of the engineering unit in the following table is for DCON protocol. Refer to Section 3.5 for Modbus protocol.
2. The % of FSR data format is only applicable to the DCON protocol.

Type Code	Input Type	Data Format	Min.	Max.	Module
05	-2.5 to +2.5V	Engineering unit	-2.5000	+2.5000	tM-AD5
		% of FSR	-100.00	+100.00	
		2's comp HEX	8000	7FFF	
	0 to +2.5V	Engineering unit	+0.0000	+2.5000	tM-AD2 tM-AD8
		% of FSR	+000.00	+100.00	
		2's comp HEX	0000	7FFF	
06	-20 to +20mA	Engineering unit	-20.000	+20.000	tM-AD5C
		% of FSR	-100.00	+100.00	
		2's comp HEX	8000	7FFF	
	0 to +20mA	Engineering unit	+00.000	+20.000	tM-AD2 tM-AD8C
		% of FSR	+000.00	+100.00	
		2's comp HEX	0000	7FFF	
07	+4 to +20mA	Engineering unit	+04.000	+20.000	tM-AD2 tM-AD5C tM-AD8C
		% of FSR	+000.00	+100.00	
		2's comp HEX	0000	FFFF	
08	-10 to +10V	Engineering unit	-10.000	+10.000	tM-AD5
		% of FSR	-100.00	+100.00	
		2's comp HEX	8000	7FFF	
	0 to +10V	Engineering unit	+00.000	+10.000	tM-AD2 tM-AD8
		% of FSR	+000.00	+100.00	
		2's comp HEX	0000	7FFF	
09	-5 to +5V	Engineering unit	-5.0000	+5.0000	tM-AD5
		% of FSR	-100.00	+100.00	
		2's comp HEX	8000	7FFF	
	0 to +5V	Engineering unit	+0.0000	+5.0000	tM-AD2 tM-AD8
		% of FSR	+000.00	+100.00	
		2's comp HEX	0000	7FFF	

Type Code	Input Type	Data Format	Min.	Max.	Module
0A	-1 to +1V	Engineering unit	-1.0000	+1.0000	tM-AD5
		% of FSR	-100.00	+100.00	
		2's comp HEX	8000	7FFF	
	0 to +1V	Engineering unit	+0.0000	+1.0000	tM-AD2 tM-AD8
		% of FSR	+000.00	+100.00	
		2's comp HEX	0000	7FFF	
0B	0 to +500mV	Engineering unit	+000.00	+500.00	tM-AD2 tM-AD8
		% of FSR	+000.00	+100.00	
		2's comp HEX	0000	7FFF	
0D	-20 to +20mA	Engineering unit	-20.000	+20.000	tM-AD5C
		% of FSR	-100.00	+100.00	
		2's comp HEX	8000	7FFF	
	0 to +20mA	Engineering unit	+00.000	+20.000	tM-AD2 tM-AD8C
		% of FSR	+000.00	+100.00	
		2's comp HEX	0000	7FFF	
1A	0 to +20mA	Engineering unit	+00.000	+20.000	tM-AD2 tM-AD5C tM-AD8C
		% of FSR	+000.00	+100.00	
		2's comp HEX	0000	FFFF	

4 ~ 20 mA and 0 ~ 20 mA under range reading with DCON protocol

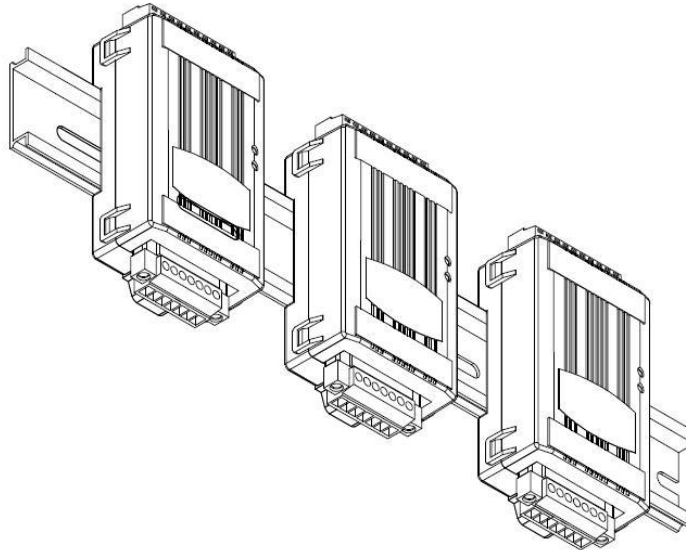
	Under Range
Engineering Unit	-9999.9
% of FSR	-999.99
2's Complement HEX	8000

4 ~ 20 mA and 0 ~ 20 mA under range reading with Modbus protocol

Under Range
8000h

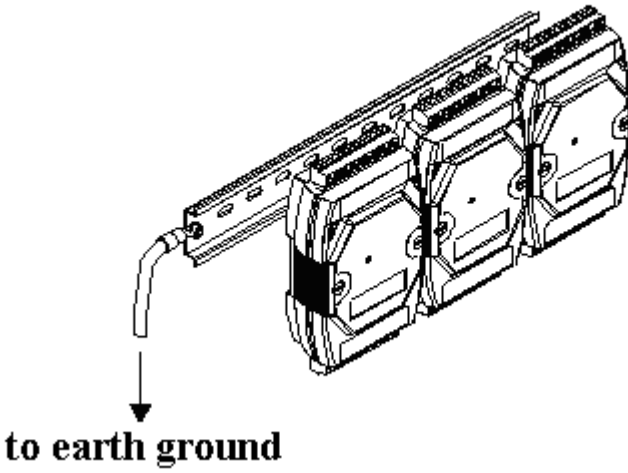
1.11 Mounting

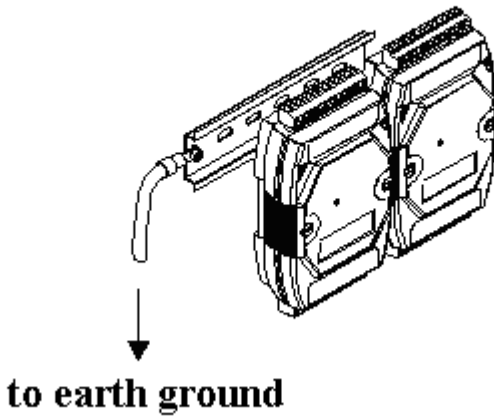
1.11.1 DIN Rail Mounting



There are three new DIN rail models available. Each are made of stainless steel, which is stronger than those made of aluminum. There is a screw at one end and a ring terminal is included so that it can be easily connected to the earth ground. The three new DIN rail models are as follows.

Part number	Max number of modules	Dimensions
DRS-360	5	360mm x 35mm
<p>to earth ground</p>		
Part number	Max number of modules	Dimensions

DRS-240	3	240mm x 35mm
		

Part number	Max number of modules	Dimensions
DRS-125	2	125mm x 35mm
		

Note: The recommended wire to connect to the earth ground is 16 – 14 AWG wire.

1.12 Technical Support

Should you encounter problems while using the tM series module, and are unable to find the help you need in this manual or on our website, please contact ICP DAS Product Support.

Email: service@icpdas.com

Website: http://www.icpdas.com.tw/contact_us/contact_us.html

When requesting technical support, be prepared to provide the following information about your system:

1. Module name and serial number: The serial number can be found printed on the barcode label attached to the cover of the module.
2. Firmware version: See Section 2.14, 3.3.7, and 3.4 for information regarding the command used to identify the firmware version.
3. Host configuration (type and operating system)
4. If the problem is reproducible, please give full details describing the procedure used to reproduce the problem.
5. Specific error messages displayed. If a dialog box with an error message is displayed, please include the full text of the dialog box, including the text in the title bar.
6. If the problem involves other programs or hardware devices, please describe the details of the problem in full.
7. Any comments and suggestions related to the problem are welcome.

ICP DAS will reply to your request by email within three business days.

2. DCON Protocol

All communication with tM modules consists of commands generated by the host and responses transmitted by the tM modules. Each module has a unique ID number that is used for addressing purposes and is stored in non-volatile memory. The ID is 01 by default and can be changed using a user command. All commands to the modules contain the ID address, meaning that only the addressed module will respond. The only exception to this is command ~** (Section 2.20), which is sent to all modules, but in these cases, the modules do not reply to the command.

Command Format:

Leading Character	Module Address	Command	[CHKSUM]	CR
--------------------------	-----------------------	----------------	-----------------	-----------

Response Format:

Leading Character	Module Address	Data	[CHKSUM]	CR
--------------------------	-----------------------	-------------	-----------------	-----------

CHKSUM A 2-character checksum that is present when the checksum setting is enabled. See Section 1.10 and 2.1 for details.

CR End of command character, carriage return (0x0D)

Checksum Calculation:

1. Calculate the ASCII code sum of all the characters in the command/response string except for the carriage return character (CR).
2. The checksum is equal to the sum masked by 0ffh.

Example:

Command string: \$012(CR)

1. Sum of the string = "\$"+"0"+"1"+"2" = 24h+30h+31h+32h = B7h
2. Therefore the checksum is B7h, and so
CHKSUM = "B7"
3. The command string with the checksum = \$012B7(CR)

Response string: !01200600(CR)

1. Sum of the string =
"!"+ "0"+ "1"+ "2"+ "0"+ "0"+ "6"+ "0"+ "0" =
21h+30h+31h+32h+30h+30h+36h+30h+30h = 1AAh
2. Therefore the checksum is AAh, and so
CHKSUM = "AA"
3. The response string with the checksum = !01200600AA(CR)

Note:

All characters should be in upper case.

General Command Sets			
Command	Response	Description	Section
%AANNTTCCFF	!AA	Set Module Configuration	2.1
#AA	>(Data)	Reads the Analog Inputs of All Channels	2.2
#AAN	>(Data)	Reads the Analog Input of the Specified Channel	2.3
\$AA0	!AA	Performs a Span Calibration	2.4
\$AA1	!AA	Performs a Zero Calibration	2.5
\$AA0Ci	!AA	Performs a Single Channel Span calibration	2.6
\$AA1Ci	!AA	Performs a Single Channel Zero calibration	2.7
\$AA2	!AANNTTCCFF	Reads the Module Configuration	2.8
\$AA5VV	!AA	Enables/Disables the Channel	2.9
\$AA6	!AAVV	Reads the Channel Enable/Disable Status	2.10
\$AA7CiRrr	!AA	Sets a single channel range configuration	2.11
\$AA8Ci	!AACiRrr	Reads a single channel range configuration	2.12
\$AAA	>(data)	Reads the Analog Inputs of All Channels in Hex Format	2.13
\$AAF	!AA(Data)	Reads the Firmware Version	2.14
\$AAM	!AA(Data)	Reads the Module Name	2.15
\$AAP	!AASC	Reads the Protocol	2.16
\$AAPN	!AA	Sets the Protocol	2.17
~AAEV	!AA	Enables/Disables the Calibration	2.18
~AAO(Name)	!AA	Sets the Module Name	2.19

Host Watchdog Command Sets			
Command	Response	Description	Section
~**	No Response	Host OK	2.20
~AA0	!AASS	Reads the Host Watchdog Status	2.21
~AA1	!AA	Resets the Host Watchdog Status	2.22
~AA2	!AAETT	Reads the Host Watchdog Timeout Settings	2.23
~AA3ETT	!AA	Sets the Host Watchdog Timeout Settings	2.24

2.1 %AANNTTCCFF

Description:

Sets the configuration of an analog input module.

Syntax:

%AANNTTCCFF[CHKSUM](CR)

- %** Delimiter character
- AA** Address of the module to be configured in hexadecimal format (00 to FF)
- NN** New address of the module in hexadecimal format (00 to FF)
- TT** New type code, see Section 1.10 for details. Not used by the tM-AD2. For the tM-AD2, use the \$AA7CiRrr command to set the type of each channel. see Section 2.11 for details.
- CC** New Baud Rate code, see Section 1.10 for details. To change the Baud Rate, the right slide switch must be set to the INIT position. See Section A.1 for details.
- FF** Used to set the data format, checksum, and mode settings (Section 1.10). To change the checksum setting, the right slide switch must be set to the INIT position. See Section A.1 for details.

Response:

Valid Response: **!AA[CHKSUM](CR)**

Invalid Response: **?AA[CHKSUM](CR)**

! Delimiter character for a valid response

? Delimiter character for an invalid response. If changing the **Baud Rate** or **checksum** settings without switching the right slide switch to the INIT position, the module will return an invalid command.

AA Address of the module in hexadecimal format (00 to FF)

There will be no response if the command syntax is incorrect, there is a communication error, or there is no module with the specified address.

Examples:

Command: %0102000600 Response: !02
Change the address of module 01 to 02. The module returns a valid response.

Command: %0202000602 Response: !02
Set the data format of module 02 to be 2 (2's complement hexadecimal). The module returns a valid response.

Command: %0101000A00 Response: ?01
Change the Baud Rate of module 01 to 115200bps. The module returns an invalid command, because it is not in INIT* mode.

Command: %0101000A00 Response: !01
Change the Baud Rate of module 01 to 115200bps and the module is in INIT* mode. The module returns a valid response.

Related Commands:

Section 2.8 \$AA2

Related Topics:

Section 1.10 Configuration Tables, Section A.1 INIT Mode

Notes:

1. Changes to the address, type code, data format and mode settings take effect immediately after a valid command is received. Changes to the Baud Rate and checksum settings take effect on the next power on reset.

2.2 #AA

Description:

Reads the data from every analog input channel.

Syntax:

#AA[CHKSUM](CR)

Delimiter character

AA Address of the module to be read (00 to FF)

Response:

Valid Response: **>(Data)[CHKSUM](CR)**

Invalid Response: **?AA[CHKSUM](CR)**

> Delimiter character for a valid response

? Delimiter character for an invalid response

(Data) Data from every analog input channels, see Section 1.10 for the details of data format

There will be no response if the command syntax is incorrect, there is a communication error, or there is no module with the specified address.

Examples:

Command: #01 Response:

>+025.12+020.45+012.78+018.97+003.24+015.35+008.07+014.79

Reads module 01 and receives the data in engineering format.

Command: #02 Response:

>4C532628E2D683A20F2ADBA16284BA71

Reads module 02 and receives the data in hexadecimal format.

Command: #03 Response:

>-9999.9-9999.9-9999.9-9999.9-9999.9-9999.9-9999.9

Reads module 03 and the data are under range.

Related Commands:

Section 2.1 %AANNTTCCFF, Section 2.8 \$AA2

Related Topics:

Section 1.10 Configuration Tables

2.3 #AAN

Description:

Reads the analog input of channel N.

Syntax:

#AAN[CHKSUM](CR)

- # Delimiter character
- AA Address of the module to be read (00 to FF)
- N The channel to be read, zero based.

Response:

Valid Response: **>(Data)[CHKSUM](CR)**

Invalid Response: **?AA[CHKSUM](CR)**

- > Delimiter character for a valid response
- ? Delimiter character for an invalid response. An invalid command is returned if the specified channel is incorrect.
- (Data) Analog input data of the specified channel, see Section 1.10 for details of the data format.
- AA Address of the responding module (00 to FF)

There will be no response if the command syntax is incorrect, there is a communication error, or there is no module with the specified address.

2.4 \$AA0

Description:

Performs a span calibration.

Syntax:

\$AA0[CHKSUM](CR)

\$ Delimiter character

AA Address of the module to be calibrated (00 to FF)

0 Command for the span calibration

Response:

Valid Response: **!AA[CHKSUM](CR)**

Invalid Response: **?AA[CHKSUM](CR)**

! Delimiter character for a valid response

? Delimiter character for an invalid response

AA Address of the responding module (00 to FF)

There will be no response if the command syntax is incorrect, there is a communication error, or there is no module with the specified address.

Examples:

Command: \$010

Response: !01

Performs a span calibration on module 01 and returns a valid response.

Command: \$020

Response: ?02

Performs a span calibration on module 02. An invalid command is returned because the “enable calibration” command was not sent in advance.

Related Commands:

Section 2.5 \$AA1, Section 2.18 ~AAEV

Related Topics:

Section 1.9 Calibration

Notes:

1. This command is only applicable to tM-AD5 and tM-AD8.
2. The “enable calibration” command, ~AAEV, must be sent before this command is used, see Section 1.9 for details.

2.5 \$AA1

Description:

Performs a zero calibration.

Syntax:

\$AA1[CHKSUM](CR)

\$ Delimiter character

AA Address of the module to be set (00 to FF)

1 Command for the zero calibration

Response:

Valid Response: **!AA[CHKSUM](CR)**

Invalid Response: **?AA[CHKSUM](CR)**

! Delimiter character for a valid response

? Delimiter character for an invalid response

AA Address of the responding module (00 to FF)

There will be no response if the command syntax is incorrect, there is a communication error, or there is no module with the specified address.

Examples:

Command: \$011

Response: !01

Performs a zero calibration on module 01 and returns a valid response.

Command: \$021

Response: ?02

Performs a zero calibration on module 02. An invalid command is returned because the “enable calibration” command was not sent in advance.

Related Commands:

Section 2.4 \$AA0, Section 2.18 ~AAEV

Related Topics:

Section 1.9 Calibration

Note:

The “enable calibration” command, ~AAEV, must be sent before this command is used, see Section 1.9 for details.

2.6 \$AA0Ci

Description:

Performs a span calibration on the specified channel.

Syntax:

\$AA1Ci[CHKSUM](CR)

\$ Delimiter character

AA Address of the module to be calibrated (00 to FF)

0 Command for the span calibration

Ci Specifies the channel to be calibrated

Response:

Valid Response: !AA[CHKSUM](CR)

Invalid Response: ?AA[CHKSUM](CR)

! Delimiter character for a valid response

? Delimiter character for an invalid response. An invalid command is returned if the specified channel is incorrect.

AA Address of the responding module (00 to FF)

There will be no response if the command syntax is incorrect, there is a communication error, or there is no module with the specified address.

Examples:

Command: \$011C0 Response: !01

Performs a span calibration on channel 0 of module 01 and returns a valid response.

Command: \$021C5 Response: !02

Performs a span calibration on channel 5 of module 02 and returns a valid response.

Command: \$031C1 Response: ?03

Performs a span calibration on channel 1 of module 03. An invalid command is returned because the “enable calibration” command was not sent in advance.

Related Commands:

Section 2.5 \$AA1, Section 2.7 \$AA1Ci, Section 2.18 ~AAEV

Related Topics:

Section 1.9 Calibration

Notes:

1. This command is only applicable to tM-AD2, tM-AD5C and tM-AD8C.
2. The “enable calibration” command, ~AAEV, must be sent before this command is used, see Section 1.9 for details.

2.7 \$AA1Ci

Description:

Performs a zero calibration on the specified channel.

Syntax:

\$AA1Ci[CHKSUM](CR)

\$ Delimiter character

AA Address of the module to be calibrated (00 to FF)

1 Command for the zero calibration

Ci Specifies the channel to be calibrated

Response:

Valid Response: !AA[CHKSUM](CR)

Invalid Response: ?AA[CHKSUM](CR)

! Delimiter character for a valid response

? Delimiter character for an invalid response. An invalid command is returned if the specified channel is incorrect.

AA Address of the responding module (00 to FF)

There will be no response if the command syntax is incorrect, there is a communication error, or there is no module with the specified address.

Examples:

Command: \$011C0 Response: !01

Performs a span calibration on channel 0 of module 01 and returns a valid response.

Command: \$021C1 Response: !02

Performs a span calibration on channel 1 of module 02 and returns a valid response.

Command: \$031C1 Response: ?03

Performs a span calibration on channel 1 of module 03. An invalid command is returned because the “enable calibration” command was not sent in advance.

Related Commands:

Section 2.6 \$AA0Ci, Section 2.18 ~AAEV

Related Topics:

Section 1.9 Calibration

Notes:

1. This command is only applicable to tM-AD2.
2. The “enable calibration” command, ~AAEV, must be sent before this command is used, see Section 1.9 for details.

2.8 \$AA2

Description:

Reads the module configuration.

Syntax:

\$AA2[CHKSUM](CR)

\$ Delimiter character
AA Address of the module to be read (00 to FF)
2 Command to read the module configuration

Response:

Valid Response: **!AATCCFF[CHKSUM](CR)**

Invalid Response: **?AA[CHKSUM](CR)**

! Delimiter character for a valid response
? Delimiter character for an invalid response
AA Address of the responding module (00 to FF)
TT Type code of the module, see Section 1.10 for details.
CC Baud Rate code of the module, see Section 1.10 for details.
FF Data format, checksum settings and mode settings of the module, see Section 1.10 for details.

There will be no response if the command syntax is incorrect, there is a communication error, or there is no module with the specified address.

2.9 \$AA5VV

Description:

Specifies the channel(s) to be enabled.

Syntax:

\$AA5VV(VV)[CHKSUM](CR)

\$ Delimiter character
AA Address of the module to be set (00 to FF)
5 Command to set the channel(s) to enabled
VV A two-digit hexadecimal value, where bit 0 corresponds to channel 0, bit 1 corresponds to channel 1, etc. When the bit is 1 it means that the channel is enabled and 0 means that the channel is disabled.

Response:

Valid Response: **!AA[CHKSUM](CR)**

Invalid Response: **?AA[CHKSUM](CR)**

! Delimiter character for a valid response
? Delimiter character for an invalid response. An invalid command is returned if an attempt is made to enable a channel that is not present.
AA Address of the responding module (00 to FF)

There will be no response if the command syntax is incorrect, there is a communication error, or there is no module with the specified address.

Examples:

Command: \$0153A Response: !01
Enables channels 1, 3, 4, and 5 and disables all other channels of module 01. The module returns a valid response.

Command: \$016 Response: !013A
Reads the channel status of module 01 and returns a response of 3A, meaning that channels 1, 3, 4, and 5 are enabled and all other channels are disabled.

Related Commands:

Section 2.10 \$AA6

Note:

1. It is recommended that only the channels that will be used are enabled.

2.10 \$AA6

Description:

Reads the enabled/disabled status of each channel.

Syntax:

\$AA6[CHKSUM](CR)

\$ Delimiter character
AA Address of the module to be read (00 to FF)
6 Command to read the channel status

Response:

Valid Response: **!AAVV(VV)[CHKSUM](CR)**

Invalid Response: **?AA[CHKSUM](CR)**

! Delimiter character for a valid response
? Delimiter character for an invalid response
AA Address of the responding module (00 to FF)
VV A two-digit hexadecimal value, where bit 0
 corresponds to channel 0, bit 1 corresponds to channel
 1, etc. When the bit is 1 it means that the channel is
 enabled and 0 means that the channel is disabled.

There will be no response if the command syntax is incorrect, there is a communication error, or there is no module with the specified address.

Examples:

Command: \$0153A Response: !01

Enables channels 1, 3, 4, and 5 and disables all other channels of module 01. The module returns a valid response.

Command: \$016 Response: !013A

Reads the channel status of module 01 and returns a response of 3A, meaning that channels 1, 3, 4, and 5 are enabled and all other channels are disabled.

Related Commands:

Section 2.9 \$AA5VV

2.11 \$AA7CiRrr

Description:

Sets the type code of a channel.

Syntax:

\$AA7CiRrr[CHKSUM](CR)

- \$ Delimiter character
- AA Address of the module to be set (00 to FF)
- 7 Command to set the channel range code
- Ci i specifies the input channel to be set (0-1 for tM-AD2).
- Rrr rr represents the type code of the channel to be set. Refer to the Analog Input Type Setting table in Section 1.10 for details.

Response:

Valid Response: !AA [CHKSUM](CR)

Invalid Response: ?AA[CHKSUM](CR)

- ! Delimiter character for a valid response
- ? Delimiter character for an invalid response or invalid type code

There will be no response if the command syntax is incorrect, there is a communication error, or there is no module with the specified address.

Examples:

Command: \$017C0R0A

Response: !01

Sets the type code for channel 0 of module 01 to be 0A (-1 ~ +1V) and the module returns a valid response.

Command: \$037C1R30

Response: ?03

Sets the type code for channel 1 of module 03 to be 30. The module returns an invalid response because the type code is invalid.

Related Commands:

Section 2.12 \$AA8Ci

Related Topics:

Section 1.10 Configuration Tables

2.12 \$AA8Ci

Description:

Reads the type code information of a channel.

Syntax:

\$AA8Ci[CHKSUM](CR)

- \$ Delimiter character
- AA Address of the module to be read (00 to FF)
- 8 Command to read the type code of a channel
- Ci Specifies which channel to access for the type code information (i=0-1 for tM-AD2).

Response:

Valid Response: **!AACiRrr[CHKSUM](CR)**

Invalid Response: **?AA[CHKSUM](CR)**

- ! Delimiter character for a valid response
- ? Delimiter character for an invalid response or invalid channel
- AA Address of the responding module (00 to FF)
- Ci Specifies which input channel to access to retrieve the type code information.
- Rrr Represents the type code of the specified input channel. Refer to the Analog Input Type Setting table in Section 1.10 for details.

There will be no response if the command syntax is incorrect, there is a communication error, or there is no module with the specified address.

Examples:

Command: \$018C0

Response: !01C0R0A

Reads the channel 0 input range of module 01 and returns 0A (-1 ~ +1V).

Related Commands:

Section 2.11 \$AA7CiRrr

Related Topics:

Section 1.10 Configuration Tables

2.13 \$AAA

Description:

Reads the data from every analog input channel in hex format.

Syntax:

\$AAA[CHKSUM](CR)

\$ Delimiter character

AA Address of the module to be read (00 to FF)

A Command to read every analog input

Response:

Valid Response: **>(Data)[CHKSUM](CR)**

Invalid Response: **?AA[CHKSUM](CR)**

> Delimiter character for a valid response

? Delimiter character for an invalid response

(Data) Data from every analog input channels in hex format.

There will be no response if the command syntax is incorrect, there is a communication error, or there is no module with the specified address.

tM-AD2, tM-AD5, tM-AD5C, tM-AD8, tM-AD8C

Examples:

Command: \$01A

Response: >0000012301257FFF1802744F98238124

Reads module 01 and receives the data in hex format.

Related Commands:

Section 2.2 #AA

2.14 \$AAF

Description:

Reads the firmware version of a module.

Syntax:

\$AAF[CHKSUM](CR)

- \$ Delimiter character
- AA Address of the module to be read (00 to FF)
- F Command to read the firmware version

Response:

Valid Response: **!AA(Data)[CHKSUM](CR)**

Invalid Response: **?AA[CHKSUM](CR)**

- ! Delimiter character for a valid response
- ? Delimiter character for an invalid response
- AA Address of the responding module (00 to FF)
- (Data) A string indicating the firmware version of the module

There will be no response if the command syntax is incorrect, there is a communication error, or there is no module with the specified address.

Examples:

Command: \$01F

Response: !01A2.0

Reads the firmware version of module 01, and shows that it is version A2.0.

2.15 \$AAM

Description:

Reads the name of a module.

Syntax:

\$AAM[CHKSUM](CR)

\$ Delimiter character

AA Address of the module to be read (00 to FF)

M Command to read the module name

Response:

Valid Response: !AA(Name)[CHKSUM](CR)

Invalid Response: ?AA[CHKSUM](CR)

! Delimiter character for a valid response

? Delimiter character for an invalid response

AA Address of the responding module (00 to FF)

(Name) A string showing the name of the module

There will be no response if the command syntax is incorrect, there is a communication error, or there is no module with the specified address.

tM-AD5, tM-AD5C, tM-AD8, tM-AD8C

Examples:

Command: \$01M

Response: !017018

Reads the module name of module 01 and returns the name "7018".

Related Commands:

Section 2.19 ~AAO(Name)

2.16 \$AAP

Description:

Reads the communication protocol information.

Syntax:

\$AAP[CHKSUM](CR)

\$ Delimiter character

AA Address of the module to be read (00 to FF)

P Command to read the communication protocol

Response:

Valid Response: !AASC[CHKSUM](CR)

Invalid Response: ?AA[CHKSUM](CR)

! Delimiter character for a valid response

? Delimiter character for an invalid response

AA Address of the responding module (00 to FF)

S The protocols supported by the module

0: only DCON protocol is supported

1: both the DCON and Modbus RTU protocols are supported

3: all of the DCON and Modbus RTU/ASCII protocols are supported

C Current protocol saved in EEPROM that will be used at the next power on reset

0: the protocol set in EEPROM is DCON

1: the protocol set in EEPROM is Modbus RTU

3: the protocol set in the EEPROM is Modbus ASCII

There will be no response if the command syntax is incorrect, there is a communication error, or there is no module with the specified address.

Examples:

Command: \$01P

Response: !0110

Reads the communication protocol of module 01 and returns a response of 10 meaning that it supports both the DCON and Modbus RTU protocols and the protocol that will be used at the next power on reset is DCON.

Related Commands:

Section 2.17 \$AAPN

2.17 \$AAPN

Description:

Sets the communication protocol.

Syntax:

\$AAPN[CHKSUM](CR)

\$ Delimiter character

AA Address of the module to be read (00 to FF)

P Command to set the communication protocol

N 0: DCON protocol

1: Modbus RTU protocol

3: Modbus ASCII protocol

Before using this command, the right slide switch must be in the INIT position, see Section A.1 for details. The new protocol is saved in the EEPROM and will be effective after the next power on reset.

Response:

Valid Response: !AA[CHKSUM](CR)

Invalid Response: ?AA[CHKSUM](CR)

! Delimiter character for a valid response

? Delimiter character for an invalid response

AA Address of the responding module (00 to FF)

There will be no response if the command syntax is incorrect, there is a communication error, or there is no module with the specified address.

Examples:

Command: \$01P1

Response: ?01

Sets the communication protocol of module 01 to Modbus RTU and returns an invalid response because the module is not in INIT mode.

Command: \$01P1

Response: !01

Sets the communication protocol of module 01 to Modbus RTU and returns a valid response.

Related Commands:

Section 2.16 \$AAP

Related Topics:

Section A.1 INIT Mode

2.18 ~AAEV

Description:

Enable/Disable module calibration.

Syntax:

~AAEV[CHKSUM](CR)

- ~ Delimiter character
- AA Address of the module to be set (00 to FF)
- E Command to enable/disable calibration
- V 1: enable calibration
0: disable calibration

Response:

Valid Response: **!AA[CHKSUM](CR)**

Invalid Response: **?AA[CHKSUM](CR)**

- ! Delimiter character for a valid response
- ? Delimiter character for an invalid response
- AA Address of the responding module (00 to FF)

There will be no response if the command syntax is incorrect, there is a communication error, or there is no module with the specified address.

Examples:

Command: \$010

Response: ?01

Sends the command to perform a span calibration on module 01. It returns an invalid response because the “enable calibration” command was not sent in advance.

Command: ~01E1

Response: !01

Enables calibration on module 01 and returns a valid response.

Command: \$010

Response: !01

Sends the command to perform a span calibration on module 01 and returns a valid response.

Related Commands:

Section 2.4 \$AA0, Section 2.5 \$AA1, Section 2.6 \$AA0Ci, Section 2.7 \$AA1Ci

Related Topics:

Section 1.9 Calibration

2.19 ~AAO(Name)

Description:

Sets the name of a module.

Syntax:

~AAO(Name)[CHKSUM](CR)

~ Delimiter character

AA Address of the module to be set (00 to FF)

O Command to set the module name

(Name) New name of the module (max. 6 characters).

Response:

Valid Response: **!AA[CHKSUM](CR)**

Invalid Response: **?AA[CHKSUM](CR)**

! Delimiter character for a valid response

? Delimiter character for an invalid response

AA Address of the responding module (00 to FF)

There will be no response if the command syntax is incorrect, there is a communication error, or there is no module with the specified address.

Examples:

Command: ~01O7019A

Response: !01

Sets the name of module 01 to be “7019A” and returns a valid response.

Command: \$01M

Response: !017019A

Reads the name of module 01 and returns “7019A”.

Related Commands:

Section 2.15 \$AAM

2.20 ~**

Description:

Informs all modules that the host is OK.

Syntax:

~**[CHKSUM](CR)

~ Delimiter character

** Host OK command

Response:

No response.

Examples:

Command: ~** No response
Sends a “Host OK” command to all modules.

Related Commands:

Section 2.21 ~AA0, Section 2.22 ~AA1, Section 2.23 ~AA2,
Section 2.24 ~AA3EVB

Related Topics:

Section A.2 Dual Watchdog Operation

Note:

After sending this command, there must be a 2ms delay before the next command can be sent.

2.21 ~AA0

Description:

Reads the host watchdog status of a module.

Syntax:

~AA0[CHKSUM](CR)

- ~ Delimiter character
- AA Address of the module to be read (00 to FF)
- 0 Command to read the module status

Response:

Valid Response: **!AASS[CHKSUM](CR)**

Invalid Response: **?AA[CHKSUM](CR)**

- ! Delimiter character for a valid response
- ? Delimiter character for an invalid response
- AA Address of the responding module (00 to FF)
- SS Two hexadecimal digits that represent the host watchdog status, where:

Bit 7: 0 indicates that the host watchdog is disabled and 1 indicates the host watchdog is enabled,

Bit 2: 1 indicates that a host watchdog time out has occurred and 0 indicates that no host watchdog time out has occurred.

The host watchdog status is stored in EEPROM and can only be reset using the ~AA1 command.

There will be no response if the command syntax is incorrect, there is a communication error, or there is no module with the specified address.

Examples:

Command: ~010

Response: !0100

Reads the host watchdog status of module 01 and returns 00, meaning that the host watchdog is disabled and no host watchdog time out has occurred.

Command: ~020

Response: !0204

Reads the host watchdog status of module 02 and returns 04, meaning that a host watchdog timeout has occurred.

Related Commands:

Section 2.20 ~**, Section 2.22 ~AA1, Section 2.23 ~AA2, Section 2.24 ~AA3Evv

Related Topics:

Section A.2 Dual Watchdog Operation

2.22 ~AA1

Description:

Resets the host watchdog time out status of a module.

Syntax:

~AA1[CHKSUM](CR)

~ Delimiter character

AA Address of the module to be set (00 to FF)

1 Command to reset the host watchdog time out status

Response:

Valid Response: **!AA[CHKSUM](CR)**

Invalid Response: **?AA[CHKSUM](CR)**

! Delimiter character for a valid response

? Delimiter character for an invalid response

AA Address of the responding module (00 to FF)

There will be no response if the command syntax is incorrect, there is a communication error, or there is no module with the specified address.

Examples:

Command: ~010

Response: !0104

Reads the host watchdog status of module 01 and shows that a host watchdog time out has occurred.

Command: ~011

Response: !01

Resets the host watchdog time out status of module 01 and returns a valid response.

Command: ~010

Response: !0100

Reads the host watchdog status of module 01 and shows that no host watchdog time out has occurred.

Related Commands:

Section 2.20 ~**, Section 2.21 ~AA0, Section 2.23 ~AA2, Section 2.24 ~AA3EVV

Related Topics:

Section A.2 Dual Watchdog Operation

2.23 ~AA2

Description:

Reads the host watchdog time out value of a module.

Syntax:

~AA2[CHKSUM](CR)

- ~ Delimiter character
- AA Address of the module to be read (00 to FF)
- 2 Command to read the host watchdog time out value

Response:

Valid Response: !AAEVV[CHKSUM](CR)

Invalid Response: ?AA[CHKSUM](CR)

- ! Delimiter character for a valid response
- ? Delimiter character for an invalid response
- AA Address of the responding module (00 to FF)
- E 1: the host watchdog is enabled
0: the host watchdog is disabled
- VV Two hexadecimal digits to represent the time out value in tenths of a second, for example, 01 means 0.1 seconds and FF means 25.5 seconds.

There will be no response if the command syntax is incorrect, there is a communication error, or there is no module with the specified address.

tM-AD2, tM-AD5, tM-AD5C, tM-AD8, tM-AD8C

Examples:

Command: ~012

Response: !011FF

Reads the host watchdog time out value of module 01 and returns FF, meaning that the host watchdog is enabled and the host watchdog time out value is 25.5 seconds.

Related Commands:

Section 2.20 ~**, Section 2.21 ~AA0, Section 2.22 ~AA1, Section 2.24 ~AA3EVV

Related Topics:

Section A.2 Dual Watchdog Operation

2.24 ~AA3E VV

Description:

Enables/disables the host watchdog and set the host watchdog time out value of a module.

Syntax:

~AA3E VV[CHKSUM](CR)

- ~ Delimiter character
- AA Address of the module to be set (00 to FF)
- 3 Command to set the host watchdog
- E 1: enable the host watchdog
0: disable the host watchdog
- VV Two hexadecimal digits to represent the time out value in tenths of a second, for example, 01 means 0.1 seconds and FF means 25.5 seconds.

Response:

Valid Response: **!AA[CHKSUM](CR)**

Invalid Response: **?AA[CHKSUM](CR)**

- ! Delimiter character for a valid response
- ? Delimiter character for an invalid response
- AA Address of the responding module (00 to FF)

There will be no response if the command syntax is incorrect, there is a communication error, or there is no module with the specified address.

Examples:

Command: ~013164

Response: !01

Enables the host watchdog of module 01 and sets the host watchdog time out value to 10.0 seconds. The module returns a valid response.

Command: ~012

Response: !01164

Reads the host watchdog time out value of module 01. The module returns 164, meaning that the host watchdog is enabled and the host watchdog time out value is 10.0 seconds.

Related Commands:

Section 2.20 ~**, Section 2.21 ~AA0, Section 2.22 ~AA1, Section 2.23 ~AA2

Related Topics:

Section A.2 Dual Watchdog Operation

2.25 ~AARD

Description:

Reads the response delay time value of a module.

Syntax:

~AARD[CHKSUM](CR)

~ Delimiter character

AA Address of the module to be read (00 to FF)

RD Command to read the response delay time value

Response:

Valid Response: !AAVV[CHKSUM](CR)

Invalid Response: ?AA[CHKSUM](CR)

! Delimiter character for a valid response

? Delimiter character for an invalid response

AA Address of the responding module (00 to FF)

VV Two hexadecimal digits to represent the response delay time value in milli-second, for example, 01 denotes 1ms and 1E denotes 30ms. The max allowable value is 30 (1Eh).

There will be no response if the command syntax is incorrect, there is a communication error, or there is no module with the specified address.

Examples:

Command: ~01RD

Response: !0102

Reads the response delay time value of module 01 and returns 02, which denotes that the response delay time value is 2ms.

Related Commands:

Section 2.26 ~AARDVV

2.26 ~AARDVV

Description:

Sets the response delay time value of a module.

Syntax:

~AARDVV[CHKSUM](CR)

~ Delimiter character

AA Address of the module to be read (00 to FF)

RD Command to set the communication protocol

VV Two hexadecimal digits to represent the response delay time value in milli-second, for example, 01 denotes 1ms and 1E denotes 30s. The max allowable value is 30 (1Eh).

Response:

Valid Response: !AA[CHKSUM](CR)

Invalid Response: ?AA[CHKSUM](CR)

! Delimiter character for a valid response

? Delimiter character for an invalid response

AA Address of the responding module (00 to FF)

There will be no response if the command syntax is incorrect, there is a communication error, or there is no module with the specified address.

Examples:

Command: ~01RD06

Response: !01

Sets the response delay time value to 6ms. The module returns a valid response.

Command: ~01RD

Response: !0106

Reads the response delay time value of module 01. The module returns 06, which denotes that the response delay time value is 6ms.

Related Commands:

Section 2.25 ~AARD

3. Modbus Protocol

The Modbus protocol is developed by Modicon Inc., originally developed for Modicon controllers. Detailed information can be found at <http://www.modicon.com/techpubs/toc7.html>. You can also visit <http://www.modbus.org> to find more valuable information.

The tM series modules support both the Modbus RTU and Modbus ASCII protocols. The communication Baud Rates range from 1200bps to 115200bps. The following Modbus functions are supported.

Function Code	Description	Section
02 (0x02)	Read input status	3.1
04 (0x04)	Read input channels	3.2
70 (0x46)	Read/write module settings	3.3

If the function specified in the message is not supported, then the module responds as follows.

Error Response

00	Address	1 Byte	1 to 247
01	Function code	1 Byte	Function code 0x80
02	Exception code	1 Byte	01

If a CRC mismatch occurs, the module will not respond.

3.1 02 (0x02) Read Input Status

This function code is used to read the open wire status of a module in the current input type.

Request

00	Address	1 Byte	1 to 247
01	Function code	1 Byte	0x02
02 ~ 03	Starting channel	2 Bytes	0x80 to 0x87 (0x81 for tM-AD2, and 0x84 for tM-AD5C), where 0x80 corresponds to channel 0, 0x81 corresponds to channel 1, etc
04 ~ 05	Number of input channels	2 Bytes	N, 1 to 8 (2 for tM-AD2 and 5 for tM-AD5C); (Starting channel + N) should be less than or equal to 0x88 (0x82 for tM-AD2 and 0x85 for tM-AD5C)

Note: This function is only available on tM-AD2, tM-AD5C and tM-AD8C.

Response

00	Address	1 Byte	1 to 247
01	Function code	1 Byte	0x02
02	Byte count	1 Byte	1
03	Data of input channels	1 Byte	A bit corresponds to a channel. When the bit is 1 it denotes that the channel is enabled and is either over-range, under-range or wire opening. If the bit is 0 it denotes that the channel is disabled or normal.

Error Response

00	Address	1 Byte	1 to 247
01	Function code	1 Byte	0x82
02	Exception code	1 Byte	02: starting channel out of range 03: (starting channel + number of input channels) out of range, incorrect number of bytes received

3.2 04 (0x04) Read Input Channels

This function code is used to read from contiguous analog input channels.

Request

00	Address	1 Byte	1 to 247
01	Function code	1 Byte	0x04
02 ~ 03	Starting channel	2 Bytes	0 to 7 (1 for tM-AD2 and 4 for tM-AD5 and tM-AD5C) for reading analog inputs
04 ~ 05	Number of input channels (N)	2 Bytes	1 to 8 (2 for tM-AD2 and 5 for tM-AD5 and tM-AD5C); (Starting channel + N) <= 8 (2 for tM-AD2 and 5 for tM-AD5 and tM-AD5C) for reading analog inputs.

Response

00	Address	1 Byte	1 to 247
01	Function code	1 Byte	0x04
02	Byte count	1 Byte	2 x N
03 ~	Data of input channels	2 x N Bytes	

Error Response

00	Address	1 Byte	1 to 247
01	Function code	1 Byte	0x84
02	Exception code	1 Byte	02: starting channel out of range 03: (starting channel + number of input channels) out of range, incorrect number of bytes received

3.3 70 (0x46) Read/Write Module Settings

This function code is used to read the settings of the module or change the settings of the module. The following sub-function codes are supported.

Sub-function Code	Description	Section
00 (0x00)	Read the module name	3.3.1
04 (0x04)	Set the module address	3.3.2
05 (0x05)	Read the communication settings	3.3.3
06 (0x06)	Set the communication settings	3.3.4
07 (0x07)	Read the type code	3.3.5
08 (0x08)	Set the type code	3.3.6
32 (0x20)	Read the firmware version	3.3.7
37 (0x25)	Read the channel enable/disable status	3.3.8
38 (0x26)	Set the channel enable/disable	3.3.9
41 (0x29)	Read the miscellaneous settings	3.3.10
42 (0x2A)	Write the miscellaneous settings	3.3.11

If the module does not support the sub-function code specified in the message, then it responds as follows.

Error Response

00	Address	1 Byte	1 to 247
01	Function code	1 Byte	0xC6
02	Exception code	1 Byte	02: invalid sub-function code

3.3.1 Sub-function 00 (0x00) Read module name

This sub-function code is used to read the name of a module.

Request

00	Address	1 Byte	1 to 247
01	Function code	1 Byte	0x46
02	Sub function code	1 Byte	0x00

Response

00	Address	1 Byte	1 to 247
01	Function code	1 Byte	0x46
02	Sub function code	1 Byte	0x00
03 ~ 06	Module name	4 Bytes	0x07 0x00 0x20 0x01 for tM-AD2 0x07 0x00 0x50 0x01 for tM-AD5 0x07 0x00 0x50 0x02 for tM-AD5C 0x07 0x00 0x80 0x01 for tM-AD8 0x07 0x00 0x80 0x02 for tM-AD8C

Error Response

00	Address	1 Byte	1 to 247
01	Function code	1 Byte	0xC6
02	Exception code	1 Byte	03: incorrect number of bytes received

3.3.2 Sub-function 04 (0x04) Set module address

This sub-function code is used to set the address of a module.

Request

00	Address	1 Byte	1 to 247
01	Function code	1 Byte	0x46
02	Sub function code	1 Byte	0x04
03	New address	1 Byte	1 to 247
04 ~ 06	Reserved	3 Bytes	0x00 0x00 0x00

Response

00	Address	1 Byte	1 to 247
01	Function code	1 Byte	0x46
02	Sub function code	1 Byte	0x04
03	Set address result	1 Byte	0: OK, others: error
04 ~ 06	Reserved	3 Bytes	0x00 0x00 0x00

Error Response

00	Address	1 Byte	1 to 247
01	Function code	1 Byte	0xC6
02	Exception code	1 Byte	03: new address out of range, reserved bytes should be filled with zero, incorrect number of bytes received

3.3.3 Sub-function 05 (0x05) Read communication settings

This sub-function code is used to read the communication protocol settings of a module.

Request

00	Address	1 Byte	1 to 247
01	Function code	1 Byte	0x46
02	Sub function code	1 Byte	0x05
03	Reserved	1 Byte	0x00

Response

00	Address	1 Byte	1 to 247
01	Function code	1 Byte	0x46
02	Sub function code	1 Byte	0x05
03	Protocol supported	1 Byte	0x00: Modbus RTU 0x03: Modbus RTU & ASCII
04	Baud Rate	1 Byte	Baud Rate code, see Section 1.10 for details.
05	Reserved	1 Bytes	0x00
06	Data format	1 Byte	0x00: no parity, 1 stop bit 0x01: no parity, 2 stop bits 0x02: even parity, 1 stop bit 0x03: odd parity, 1 stop bit
07	Reserved	1 Bytes	0x00
08	Mode	1 Byte	0x00: DCON protocol 0x01: Modbus RTU protocol 0x03: Modbus ASCII protocol
09 ~ 10	Reserved	2 Bytes	0x00 0x00

Note: This information is the data saved in the EEPROM and will be used for the next power-on reset. It is not the currently used settings.

Error Response

00	Address	1 Byte	1 to 247
01	Function code	1 Byte	0xC6
02	Exception code	1 Byte	03: reserved byte should be filled with zero, incorrect number of bytes received

3.3.4 Sub-function 06 (0x06) Set communication settings

This sub-function code is used to set the communication protocol of a module.

Request

00	Address	1 Byte	1 to 247
01	Function code	1 Byte	0x46
02	Sub function code	1 Byte	0x06
03	Reserved	1 Byte	0x00
04	Baud Rate	1 Byte	Baud Rate code, see Section 1.10 for details.
05	Reserved	1 Byte	0x00
06	Data format	1 Byte	0x00: no parity, 1 stop bit 0x01: no parity, 2 stop bits 0x02: even parity, 1 stop bit 0x03: odd parity, 1 stop bit
07	Reserved	1 Byte	0x00
08	Mode	1 Byte	0x00: DCON protocol 0x01: Modubs RTU protocol 0x03: Modubs ASCII protocol
09 ~ 10	Reserved	2 Bytes	0x00 0x00

tM-AD2, tM-AD5, tM-AD5C, tM-AD8, tM-AD8C

Response

00	Address	1 Byte	1 to 247
01	Function code	1 Byte	0x46
02	Sub function code	1 Byte	0x06
03	Reserved	1 Byte	0x00
04	Baud Rate	1 Byte	0x00: OK, others: error
05	Reserved	1 Byte	0x00 0x00 0x00
06	Data format	1 Byte	0x00: OK, others: error
07	Reserved	1 Byte	0x00
08	Mode	1 Byte	0x00: OK, others: error
09 ~ 10	Reserved	2 Bytes	0x00 0x00

Note: The new Baud Rate and protocol will be effective after the next power-on reset.

Error Response

00	Address	1 Byte	1 to 247
01	Function code	1 Byte	0xC6
02	Exception code	1 Byte	03: Baud Rate or mode out of range, reserved bytes should be filled with zero, incorrect number of bytes received

3.3.5 Sub-function 07 (0x07) Read type code

This sub-function code is used to read the type code information of a module.

Request

00	Address	1 Byte	1 to 247
01	Function code	1 Byte	0x46
02	Sub function code	1 Byte	0x07
03	Reserved	1 Bytes	0x00
04	Reserved	1 Byte	0x00, channel for tM-AD2

Response

00	Address	1 Byte	1 to 247
01	Function code	1 Byte	0x46
02	Sub function code	1 Byte	0x07
03	Type code	1 Byte	Type code, see Section 1.10 for details.

Error Response

00	Address	1 Byte	1 to 247
01	Function code	1 Byte	0xC6
02	Exception code	1 Byte	03: reserved bytes should be filled with zero

3.3.6 Sub-function 08 (0x08) Set type code

This sub-function code is used to set the type code of a module.

Request

00	Address	1 Byte	1 to 247
01	Function code	1 Byte	0x46
02	Sub function code	1 Byte	0x08
03	Reserved	1 Byte	0x00
04	Reserved	1 Byte	0x00, channel for tM-AD2
05	Type code	1 Byte	Type code, see Section 1.10 for details.

Response

00	Address	1 Byte	1 to 247
01	Function code	1 Byte	0x46
02	Sub function code	1 Byte	0x08
03	Type code	1 Byte	0x00: OK others: error

Error Response

00	Address	1 Byte	1 to 247
01	Function code	1 Byte	0xC6
02	Exception code	1 Byte	03: type code out of range, reserved bytes should be filled with zero, incorrect number of bytes received

3.3.7 Sub-function 32 (0x20) Read firmware version

This sub-function code is used to read the firmware version information of a module.

Request

00	Address	1 Byte	1 to 247
01	Function code	1 Byte	0x46
02	Sub function code	1 Byte	0x20

Response

00	Address	1 Byte	1 to 247
01	Function code	1 Byte	0x46
02	Sub function code	1 Byte	0x20
03	Major version	1 Byte	0x00 ~ 0xFF
04	Minor version	1 Byte	0x00 ~ 0xFF
05	Build version	1 Byte	0x00 ~ 0xFF

Error Response

00	Address	1 Byte	1 to 247
01	Function code	1 Byte	0xC6
02	Exception code	1 Byte	03: incorrect number of bytes received

3.3.8 Sub-function 37 (0x25) Read channel enabled/disabled status

This sub-function code is used to read the enabled/disabled status of each channel in a module.

Request

00	Address	1 Byte	1 to 247
01	Function code	1 Byte	0x46
02	Sub function code	1 Byte	0x25

Response

00	Address	1 Byte	1 to 247
01	Function code	1 Byte	0x46
02	Sub function code	1 Byte	0x25
03	Enabled/disabled status	1 Byte	0x00 ~ 0xFF, enabled/disabled status of each channel, where bit 0 corresponds to channel 0, bit 1 corresponds to channel 1, etc. When the bit is 1 it denotes that the channel is enabled and 0 denotes that the channel is disabled. 0x00 ~ 0x03 for tM-AD2 0x00 ~ 0x01F for tM-AD5 and tM-AD5C

Error Response

00	Address	1 Byte	1 to 247
01	Function code	1 Byte	0xC6
02	Exception code	1 Byte	03: incorrect number of bytes received

3.3.9 Sub-function 38 (0x26) Set channel enable/disable

This sub-function code is used to specify the channels to be enabled in a module.

Request

00	Address	1 Byte	1 to 247
01	Function code	1 Byte	0x46
02	Sub function code	1 Byte	0x26
03	Enable/disable setting	1 Byte	0x00 ~ 0xFF, enable/disable setting of each channel, where bit 0 corresponds to channel 0, bit 1 corresponds to channel 1, etc. When the bit is 1 it denotes that the channel is enabled and 0 denotes that the channel is disabled. 0x00 ~ 0x03 for tM-AD2 0x00 ~ 0x01F for tM-AD5 and tM-AD5C

Response

00	Address	1 Byte	1 to 247
01	Function code	1 Byte	0x46
02	Sub function code	1 Byte	0x26
03	Enable/disable setting	1 Byte	0: OK others: error.

Error Response

00	Address	1 Byte	1 to 247
01	Function code	1 Byte	0xC6
02	Exception code	1 Byte	03: enable/disable setting out of range, incorrect number of bytes received

3.3.10 Sub-function 41 (0x29) Read miscellaneous settings

This sub-function code is used to read the miscellaneous settings of a module.

Request

00	Address	1 Byte	1 to 247
01	Function code	1 Byte	0x46
02	Sub function code	1 Byte	0x29

Response

00	Address	1 Byte	1 to 247
01	Function code	1 Byte	0x46
02	Sub function code	1 Byte	0x29
03	Miscellaneous settings	1 Byte	Bit 7~6: reserved Bit 5: mode setting 0: normal mode 1: fast mode Bit 4~0: reserved

Note: The reserved fields are filled with zeros.

Error Response

00	Address	1 Byte	1 to 247
01	Function code	1 Byte	0xC6
02	Exception code	1 Byte	03: incorrect number of bytes received

3.3.11 Sub-function 42 (0x2A) Write miscellaneous settings

This sub-function code is used to set the miscellaneous settings of a module.

Request

00	Address	1 Byte	1 to 247
01	Function code	1 Byte	0x46
02	Sub function code	1 Byte	0x2A
03	Miscellaneous settings	1 Byte	Bit 7~6: reserved Bit 5: mode setting 0: normal mode 1: fast mode Bit 4~0: reserved

Note: The reserved fields are filled with zeros.

Response

00	Address	1 Byte	1 to 247
01	Function code	1 Byte	0x46
02	Sub function code	1 Byte	0x2A
03	Miscellaneous settings	1 Byte	0: OK others: error

Error Response

00	Address	1 Byte	1 to 247
01	Function code	1 Byte	0xC6
02	Exception code	1 Byte	03: reserved bits should be filled with zero, incorrect number of bytes received

3.4 Address Mappings

3.4.1 tM-AD2 Address Mappings

Address	Description	Attribute																				
30001 ~ 30002 40001 ~ 40002	Analog input value of channel 0 to 1	R																				
40257 ~ 40258	Analog input type code of channel 0 to 1	R/W																				
40481	Firmware version (low word)	R																				
40482	Firmware version (high word)	R																				
40483	Module name (low word) , 0x2001	R																				
40484	Module name (high word) , 0x0700	R																				
40485	Module address, valid range: 1 ~ 247	R/W																				
40486	Bits 5:0 Baud rate, 0x03 ~ 0x0A <table border="1" style="width: 100%; border-collapse: collapse;"> <tbody> <tr> <td>Code</td> <td>0x03</td> <td>0x04</td> <td>0x05</td> <td>0x06</td> </tr> <tr> <td>Baud</td> <td>1200</td> <td>2400</td> <td>4800</td> <td>9600</td> </tr> <tr> <td>Code</td> <td>0x07</td> <td>0x08</td> <td>0x09</td> <td>0x0A</td> </tr> <tr> <td>Baud</td> <td>19200</td> <td>38400</td> <td>57600</td> <td>115200</td> </tr> </tbody> </table> Bits 7:6 00: no parity, 1 stop bit 01: no parity, 2 stop bits 10: even parity, 1 stop bit 11: odd parity, 1 stop bit	Code	0x03	0x04	0x05	0x06	Baud	1200	2400	4800	9600	Code	0x07	0x08	0x09	0x0A	Baud	19200	38400	57600	115200	R/W
Code	0x03	0x04	0x05	0x06																		
Baud	1200	2400	4800	9600																		
Code	0x07	0x08	0x09	0x0A																		
Baud	19200	38400	57600	115200																		
40488	Modbus response delay time in ms, valid range: 0 ~ 30	R/W																				
40489	Host watchdog timeout value, 0 ~ 255, in 0.1s	R/W																				
40490	Channel enable/disable, 00h ~ 03h	R/W																				
40492	Host watchdog timeout count, write 0 to clear	R/W																				
40494	4mA under range threshold in 0.1mA, 0 ~ 40	R/W																				

Address	Description	Attribute
10129 ~ 10130 00129 ~ 00130	Over/under range status of channel 0 to 1 for 4 ~ 20mA or 0 ~ 20mA ranges	R
00257	Protocol, 0: DCON, 1: Modbus RTU	R/W
00258	Protocol, 0: determined by 00257, 1: Modbus ASCII	R/W
00261	1: enable, 0: disable host watchdog	R/W
00269	Modbus data format, 0: hex, 1: engineering	R/W
00270	Host watch dog timeout status, write 1 to clear host watch dog timeout status	R/W
00271	1: enable, 0: disable fast mode	R/W
00273	Reset status, 1: first read after powered on, 0: not the first read after powered on	R

3.4.2 tM-AD5 Address Mappings

Address	Description	Attribute																				
30001 ~ 30005 40001 ~ 40005	Analog input value of channel 0 to 4	R																				
40481	Firmware version (low word)	R																				
40482	Firmware version (high word)	R																				
40483	Module name (low word) , 0x5001	R																				
40484	Module name (high word) , 0x0700	R																				
40485	Module address, valid range: 1 ~ 247	R/W																				
40486	Bits 5:0 Baud rate, 0x03 ~ 0x0A <table border="1" data-bbox="399 974 1066 1149"> <tbody> <tr> <td>Code</td> <td>0x03</td> <td>0x04</td> <td>0x05</td> <td>0x06</td> </tr> <tr> <td>Baud</td> <td>1200</td> <td>2400</td> <td>4800</td> <td>9600</td> </tr> <tr> <td>Code</td> <td>0x07</td> <td>0x08</td> <td>0x09</td> <td>0x0A</td> </tr> <tr> <td>Baud</td> <td>19200</td> <td>38400</td> <td>57600</td> <td>115200</td> </tr> </tbody> </table> Bits 7:6 00: no parity, 1 stop bit 01: no parity, 2 stop bits 10: even parity, 1 stop bit 11: odd parity, 1 stop bit	Code	0x03	0x04	0x05	0x06	Baud	1200	2400	4800	9600	Code	0x07	0x08	0x09	0x0A	Baud	19200	38400	57600	115200	R/W
Code	0x03	0x04	0x05	0x06																		
Baud	1200	2400	4800	9600																		
Code	0x07	0x08	0x09	0x0A																		
Baud	19200	38400	57600	115200																		
40487	Type code	R/W																				
40488	Modbus response delay time in ms, valid range: 0 ~ 30	R/W																				
40489	Host watchdog timeout value, 0 ~ 255, in 0.1s	R/W																				
40490	Channel enable/disable, 00h ~ 1Fh	R/W																				
40492	Host watchdog timeout count, write 0 to clear	R/W																				

Address	Description	Attribute
00257	Protocol, 0: DCON, 1: Modbus RTU	R/W
00258	Protocol, 0: determined by 00257, 1: Modbus ASCII	R/W
00261	1: enable, 0: disable host watchdog	R/W
00269	Modbus data format, 0: hex, 1: engineering	R/W
00270	Host watch dog timeout status, write 1 to clear host watch dog timeout status	R/W
00271	1: enable, 0: disable fast mode	R/W
00273	Reset status, 1: first read after powered on, 0: not the first read after powered on	R

3.4.3 tM-AD5C Address Mappings

Address	Description	Attribute																				
10129 ~ 10133 00129 ~ 00133	Over/under range status of channel 0 to 4 for 4 ~ 20mA or 0 ~ 20mA ranges	R																				
30001 ~ 30005 40001 ~ 40005	Analog input value of channel 0 to 4	R																				
40481	Firmware version (low word)	R																				
40482	Firmware version (high word)	R																				
40483	Module name (low word) , 0x5002	R																				
40484	Module name (high word) , 0x0700	R																				
40485	Module address, valid range: 1 ~ 247	R/W																				
40486	Bits 5:0 Baud rate, 0x03 ~ 0x0A <table border="1" data-bbox="399 1131 1066 1310"> <tbody> <tr> <td>Code</td> <td>0x03</td> <td>0x04</td> <td>0x05</td> <td>0x06</td> </tr> <tr> <td>Baud</td> <td>1200</td> <td>2400</td> <td>4800</td> <td>9600</td> </tr> <tr> <td>Code</td> <td>0x07</td> <td>0x08</td> <td>0x09</td> <td>0x0A</td> </tr> <tr> <td>Baud</td> <td>19200</td> <td>38400</td> <td>57600</td> <td>115200</td> </tr> </tbody> </table> Bits 7:6 00: no parity, 1 stop bit 01: no parity, 2 stop bits 10: even parity, 1 stop bit 11: odd parity, 1 stop bit	Code	0x03	0x04	0x05	0x06	Baud	1200	2400	4800	9600	Code	0x07	0x08	0x09	0x0A	Baud	19200	38400	57600	115200	R/W
Code	0x03	0x04	0x05	0x06																		
Baud	1200	2400	4800	9600																		
Code	0x07	0x08	0x09	0x0A																		
Baud	19200	38400	57600	115200																		
40487	Type code	R/W																				
40488	Modbus response delay time in ms, valid range: 0 ~ 30	R/W																				
40489	Host watchdog timeout value, 0 ~ 255, in 0.1s	R/W																				
40490	Channel enable/disable, 00h ~ 1Fh	R/W																				
40492	Host watchdog timeout count, write 0 to clear	R/W																				

Address	Description	Attribute
00257	Protocol, 0: DCON, 1: Modbus RTU	R/W
00258	Protocol, 0: determined by 00257, 1: Modbus ASCII	R/W
00261	1: enable, 0: disable host watchdog	R/W
00269	Modbus data format, 0: hex, 1: engineering	R/W
00270	Host watch dog timeout status, write 1 to clear host watch dog timeout status	R/W
00271	1: enable, 0: disable fast mode	R/W
00273	Reset status, 1: first read after powered on, 0: not the first read after powered on	R

3.4.4 tM-AD8 Address Mappings

Address	Description	Attribute																				
30001 ~ 30008 40001 ~ 40008	Analog input value of channel 0 to 7	R																				
40481	Firmware version (low word)	R																				
40482	Firmware version (high word)	R																				
40483	Module name (low word), 0x8001	R																				
40484	Module name (high word), 0x0700	R																				
40485	Module address, valid range: 1 ~ 247	R/W																				
40486	Bits 5:0 Baud rate, 0x03 ~ 0x0A <table border="1" data-bbox="399 936 1066 1115"> <tbody> <tr> <td>Code</td> <td>0x03</td> <td>0x04</td> <td>0x05</td> <td>0x06</td> </tr> <tr> <td>Baud</td> <td>1200</td> <td>2400</td> <td>4800</td> <td>9600</td> </tr> <tr> <td>Code</td> <td>0x07</td> <td>0x08</td> <td>0x09</td> <td>0x0A</td> </tr> <tr> <td>Baud</td> <td>19200</td> <td>38400</td> <td>57600</td> <td>115200</td> </tr> </tbody> </table> Bits 7:6 00: no parity, 1 stop bit 01: no parity, 2 stop bits 10: even parity, 1 stop bit 11: odd parity, 1 stop bit	Code	0x03	0x04	0x05	0x06	Baud	1200	2400	4800	9600	Code	0x07	0x08	0x09	0x0A	Baud	19200	38400	57600	115200	R/W
Code	0x03	0x04	0x05	0x06																		
Baud	1200	2400	4800	9600																		
Code	0x07	0x08	0x09	0x0A																		
Baud	19200	38400	57600	115200																		
40487	Type code	R/W																				
40488	Modbus response delay time in ms, valid range: 0 ~ 30	R/W																				
40489	Host watchdog timeout value, 0 ~ 255, in 0.1s	R/W																				
40490	Channel enable/disable, 00h ~ FFh	R/W																				
40492	Host watchdog timeout count, write 0 to clear	R/W																				

Address	Description	Attribute
00257	Protocol, 0: DCON, 1: Modbus RTU	R/W
00258	Protocol, 0: determined by 00257, 1: Modbus ASCII	R/W
00261	1: enable, 0: disable host watchdog	R/W
00269	Modbus data format, 0: hex, 1: engineering	R/W
00270	Host watch dog timeout status, write 1 to clear host watch dog timeout status	R/W
00271	1: enable, 0: disable fast mode	R/W
00273	Reset status, 1: first read after powered on, 0: not the first read after powered on	R

3.4.5 tM-AD8C Address Mappings

Address	Description	Attribute																				
10129 ~ 10136 00129 ~ 00136	Over/under range status of channel 0 to 7 for 4 ~ 20mA or 0 ~ 20mA ranges	R																				
30001 ~ 30008 40001 ~ 40008	Analog input value of channel 0 to 7	R																				
40481	Firmware version (low word)	R																				
40482	Firmware version (high word)	R																				
40483	Module name (low word) , 0x8002	R																				
40484	Module name (high word) , 0x0700	R																				
40485	Module address, valid range: 1 ~ 247	R/W																				
40486	Bits 5:0 Baud rate, 0x03 ~ 0x0A <table border="1" style="margin-left: 20px;"> <tbody> <tr> <td>Code</td> <td>0x03</td> <td>0x04</td> <td>0x05</td> <td>0x06</td> </tr> <tr> <td>Baud</td> <td>1200</td> <td>2400</td> <td>4800</td> <td>9600</td> </tr> <tr> <td>Code</td> <td>0x07</td> <td>0x08</td> <td>0x09</td> <td>0x0A</td> </tr> <tr> <td>Baud</td> <td>19200</td> <td>38400</td> <td>57600</td> <td>115200</td> </tr> </tbody> </table> Bits 7:6 00: no parity, 1 stop bit 01: no parity, 2 stop bits 10: even parity, 1 stop bit 11: odd parity, 1 stop bit	Code	0x03	0x04	0x05	0x06	Baud	1200	2400	4800	9600	Code	0x07	0x08	0x09	0x0A	Baud	19200	38400	57600	115200	R/W
Code	0x03	0x04	0x05	0x06																		
Baud	1200	2400	4800	9600																		
Code	0x07	0x08	0x09	0x0A																		
Baud	19200	38400	57600	115200																		
40487	Type code	R/W																				
40488	Modbus response delay time in ms, valid range: 0 ~ 30	R/W																				
40489	Host watchdog timeout value, 0 ~ 255, in 0.1s	R/W																				
40490	Channel enable/disable, 00h ~ FFh	R/W																				
40492	Host watchdog timeout count, write 0 to clear	R/W																				

Address	Description	Attribute
00257	Protocol, 0: DCON, 1: Modbus RTU	R/W
00258	Protocol, 0: determined by 00257, 1: Modbus ASCII	R/W
00261	1: enable, 0: disable host watchdog	R/W
00269	Modbus data format, 0: hex, 1: engineering	R/W
00270	Host watch dog timeout status, write 1 to clear host watch dog timeout status	R/W
00271	1: enable, 0: disable fast mode	R/W
00273	Reset status, 1: first read after powered on, 0: not the first read after powered on	R

3.5 Engineering Data Format Table

The under range value is -32768 and the over range value is $+32767$. For the hex data format, please refer to Section 1.10.

3.5.1 tM-AD2 Engineering Data Format Table

Type Code	Input Type	Min.	Max.
05	0 V ~ +2.5 V	0	25000
06	0 mA ~ +20 mA	0	20000
07	+4 mA ~ +20 mA	4000	20000
08	0 V ~ +10 V	0	10000
09	0 V ~ +5 V	0	5000
0A	0 V ~ +1 V	0	10000
0B	0 mV ~ +500 mV	0	5000
0D	0 mA ~ +20 mA	0	20000
1A	0 mA ~ +20 mA	0	20000

3.5.2 tM-AD5 Engineering Data Format Table

Type Code	Input Type	Min.	Max.
05	-2.5 V ~ +2.5 V	-25000	25000
08	-10 V ~ +10 V	-10000	10000
09	-5 V ~ +5 V	-5000	5000
0A	-1 V ~ +1 V	-10000	10000

3.5.3 tM-AD5C Engineering Data Format Table

Type Code	Input Type	Min.	Max.
06	-20 mA ~ +20 mA	-20000	20000
07	+4 mA ~ +20 mA	4000	20000
0D	-20 mA ~ +20 mA	-20000	20000
1A	0 ~ +20 mA	0	20000

3.5.4 tM-AD8 Engineering Data Format Table

Type Code	Input Type	Min.	Max.
05	0 V ~ +2.5 V	0	25000
08	0 V ~ +10 V	0	10000
09	0 V ~ +5 V	0	5000
0A	0 V ~ +1 V	0	10000
0B	0 mV ~ +500 mV	0	5000

3.5.5 tM-AD8C Engineering Data Format Table

Type Code	Input Type	Min.	Max.
06	0 mA ~ +20 mA	0	20000
07	+4 mA ~ +20 mA	4000	20000
0D	0 mA ~ +20 mA	0	20000
1A	0 ~ +20 mA	0	20000

4. Troubleshooting

If you are having difficulty using the tM module, here are some suggestions that may help. If you cannot find the answers you need in these guides, contact ICP DAS Product Support. Contact information is located in Section 1.12.

4.1 Communicating with the module

If you attempt to communicate with the module and receive no response, first check the following:

- Make sure the supplied power is within the range of +10 to +30 V DC. If the supplied power is OK, then the power LED should be on.
- When the module receives a command, the power LED is set to “off”. The power LED is shown as “on” after the module responds. This method can be used to check whether the module has received a command sent from the host.
- If possible, use another device to check whether the host can communicate with the device through the same RS-485 network.
- If the host is a PC installed with a Windows operating system, then execute the DCON Utility to determine whether the module can be found. The DCON Utility can be downloaded from the ICP DAS website <http://www.icpdas.com>. The DCON Utility documentation can be found in the “**Getting Started For I-7000 Series Modules**” manual.
- Set the module to “INIT mode” and communicate with the module using the following settings: address 00, Baud Rate 9600bps, no checksum and DCON protocol. See Section A.1 for details.

4.2 Reading Data

If the data read from the input channel is not correct, first check the following:

- Make sure the type code and data format settings are correct. For the tM-AD5, tM-AD5C, tM-AD8 and tM-aD8C, the type code is set by using the %AANNTTCCFF command, see Section 2.1 for details. For the tM-AD2, the type code is set by using the \$AA7CiRrr command, see Section 2.11 for details. The data format is set by using the %AANNTTCCFF command. For the Modbus RTU protocol, the type code is set by using sub-function 08h of the function 46h.
- If the voltage read by the module is incorrect, then it may be because the calibration parameters stored in the non-volatile memory are corrupted. You can calibrate the module by yourself. Be sure to read Section 1.9 in detail before doing any calibration.

A. Appendix

A.1 INIT Mode

Each tM module has a built-in EEPROM to store configuration information such as module address, type code, Baud Rate, etc. Occasionally, the configuration of a module may be forgotten and there are no visual indications of the configuration of the module. It is difficult to communicate with the module when the configuration of the module is unknown. To help avoid this problem, the tM series has a special mode called “**INIT mode**”. When the module is powered on in “**INIT mode**” the configuration of the module is reset as follows, allowing it to be operated as normal.

1. Address: 00
2. Baud Rate: 9600 bps
3. No checksum
4. Protocol: DCON

The configuration information stored in the EEPROM is not changed and they can be read by sending the \$002(CR) command at 9600bps.

There are commands that require the module to be in INIT mode. They are:

1. %AANNTCCFF when changing Baud Rate and checksum settings. See Section 2.1 for details.
2. \$AAPN, see Section 2.17 for details.

The tM modules have the INIT switch located on the right side of the module allow easier access to INIT mode. For these modules, INIT mode is accessed by sliding the INIT switch to the Init position as shown below.



A.2 Dual Watchdog Operation

Dual Watchdog = Module Watchdog + Host Watchdog

The Module Watchdog is a hardware reset circuit that monitors the operating status of the module. While working in harsh or noisy environments, the module may be shut down by external signals. The circuit allows the module to work continuously without disruption.

The Host Watchdog is a software function that monitors the operating status of the host. Its purpose is to prevent problems due to network/communication errors or host malfunctions. When a host watchdog time out occurs, the module will reset all outputs to a safe state in order to prevent any erroneous operations of the controlled target.

The tM series modules include an internal Dual Watchdog, making the control system more reliable and stable.

For more information regarding the Dual Watchdog, please refer to Chapter 5 of the “**Getting Started For I-7000 Series Modules**” manual that can be downloaded from the ICP DAS website <http://www.icpdas.com>.

A.3 Frame Ground

Electronic circuits are constantly vulnerable to ESD which become worse in a continental climate area. The tM modules feature a new design for the frame ground. The frame ground provides a path for bypassing ESD, which provides enhanced static protection (ESD) abilities and ensures the module is more reliable.

Connect the frame ground terminal to a wire/DIN rail and connect the wire/DIN rail to the earth ground will provide a better protection for the module.