
PROFI-25xx Module User Manual

Warranty

All products manufactured by ICP DAS are warranted against defective materials for a period of one year from the date of delivery to the original purchaser.

Warning

ICP DAS assumes no liability for damages consequent to the use of this product. ICP DAS reserves the right to change this manual at any time without notice. The information furnished by ICP DAS is believed to be accurate and reliable. However, no responsibility is assumed by ICP DAS for its use, or for any infringements of patents or other rights of third parties resulting from its use.

Copyright

Copyright 2015 by ICP DAS Co., LTD. All rights reserved worldwide.

Trademark

The names used for identification only may be registered trademarks of their respective companies.

Revision Note

Date	Author	Version	Revision
2012/11/31	Ryan Lin	1.0	Release
2014/08/04	Ryan Lin	1.1	Add PROFI-2542-SC
2015/12/31	Ryan Lin	1.2	Modify PROFI-2542-SC

Table of Content

1. Introduction	3
1.1. Overview	3
1.2. Product Information	3
1.3. Appearance	4
1.4. Features	5
1.5. Specifications	5
2. Hardware	8
2.1. Bus Wiring	8
2.2. PROFIBUS Cable and Transmission Distance	9
2.3. Status Indicator	10
2.4. Connector	11
2.5. Baud rate support	12
2.6. Dip Switch	12
2.7. Wire Connection	13
Appendix A. Dimensions	14

1. Introduction

1.1. Overview

PROFIBUS is an open, digital communication system with a wide range of applications, particularly in the fields of factory automation and process automation. PROFIBUS is suitable for both fast, time-critical applications and complex communication tasks. PROFIBUS-DP is a famous protocol that enables simple, fast, cyclic and deterministic process data exchange between Master and assigned Slave.

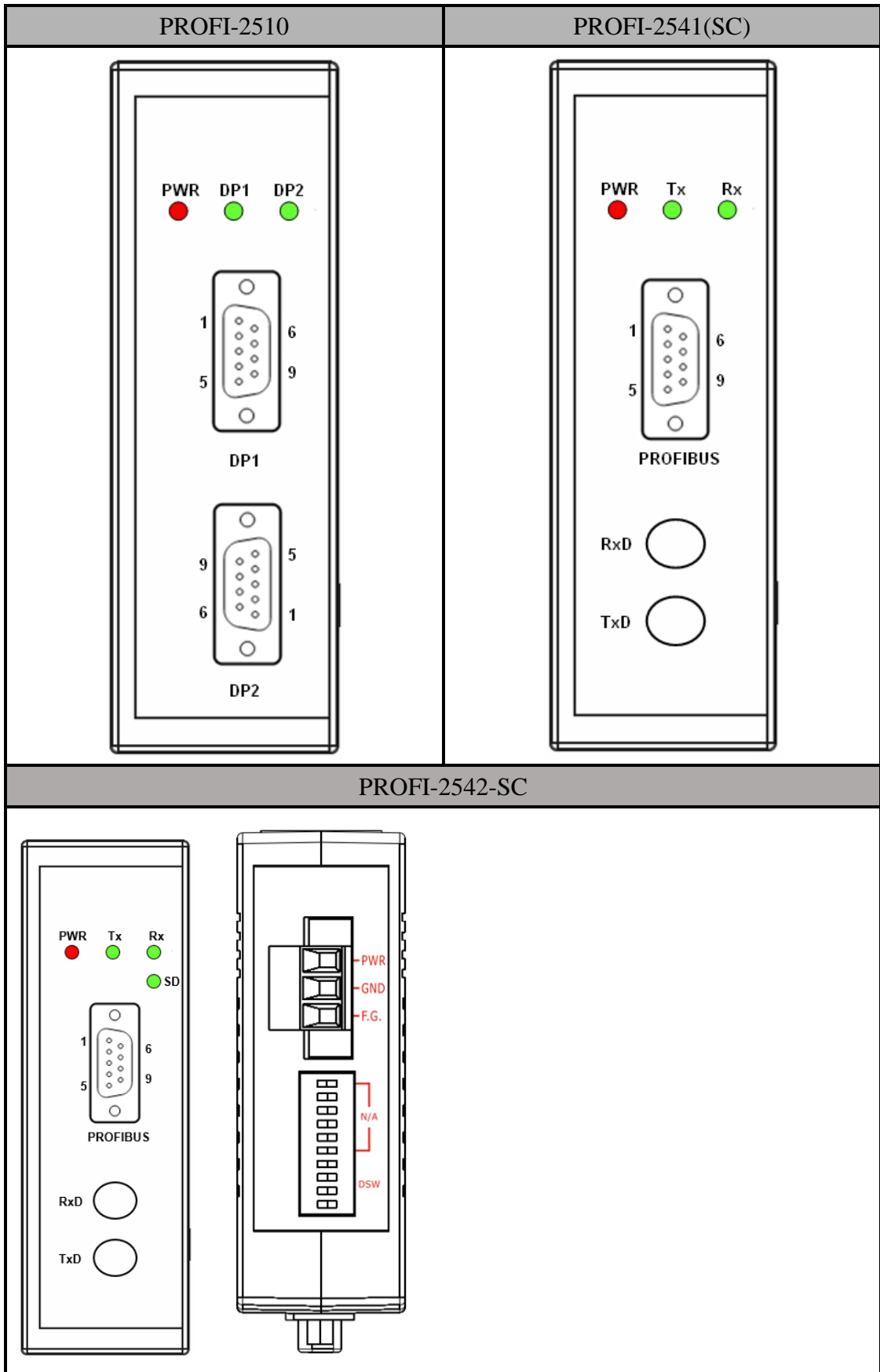
The PROFI-2510 is a PROFIBUS repeater used to establish a physical coupling of two or more segments of a CAN bus system. According to the PROFIBUS specification, up to 32 PROFIBUS devices are allowed per segment. Connecting via PROFI-2510, the division of a PROFIBUS system into several subsystems increases the maximum number of bus nodes.

The PROFI-2541(SC) / PROFI-2542-SC are PROFIBUS to Fiber Converters and they are the economic solution for applications which require protecting the data transmission from electrical exposure, surges, lightning or chemical corrosion.

1.2. Product Information

Type	Model	Description
Repeater	PROFI-2510	Isolated PROFIBUS Repeater
Converter	PROFI-2541	PROFIBUS to Fiber Converter(ST Type)
	PROFI-2541-SC	PROFIBUS to Fiber Converter(SC Type)
	PROFI-2542-SC	PROFIBUS to Single mode Fiber Converter(SC Type)

1.3. Appearance



1.4. Features

● PROFI-2510

Protocol	PROFIBUS DP
Supports Transmission Rate (Kbps)	9.6, 19.2, 45.45, 93.75, 187.5, 500, 1500, 3000, 6000, 12000
Transmission Rate Setting	detected automatically
Indicators	PWR LED, DP1 LED and DP2 LED
ESD Protection	4kV class A
Network Isolation Protection	High Speed iCoupler
DC Isolation Protection	3000VDC on PROFIBUS side

● PROFI-2541/ PROFI-2541-SC

Protocol	PROFIBUS DP
Supports Transmission Rate (Kbps)	9.6, 19.2, 45.45, 93.75, 187.5, 500, 1500, 3000
Transmission Rate Setting	detected automatically
Indicators	PWR LED, TxD LED and RxD LED
Fiber Wave Length	850 nm
Fiber Type	ST / SC(Multi-Mode)
ESD Protection	4KV class A
Network Isolation Protection	High Speed iCoupler
DC Isolation Protection	3000VDC on PROFIBUS side

● PROFI-2542-SC

Protocol	PROFIBUS DP
Supports Transmission Rate (Kbps)	9.6, 19.2, 45.45, 93.75, 187.5, 500, 1500, 3000, 6000, 12000
Transmission Rate Setting	detected automatically
Indicators	PWR LED, TxD LED, RxD LED and SD LED
Fiber Wave Length	1310 nm
Fiber Type	SC(Single-Mode)
ESD Protection	4KV class A
Network Isolation Protection	High Speed iCoupler
DC Isolation Protection	3000VDC on PROFIBUS side

1.5. Specifications

● **PROFI-2510**

PROFIBUS Interface	9-pin D-Sub(Female)
PROFIBUS Transceiver	ADI ADM2486 iCoupler Isolated transceiver
Transmission Rate	Up to 12Mbps
Power Requirement	10V ~ 30V
Power Consumption	1W
Operating Temp.	-25°C ~ +75°C
Storage Temp.	-30°C ~ +85°C
Humidity	5% ~ 95%(Non Condensing)
Dimensions	33 mm x 126.8 mm x 93.4 mm (W x L x H)

● **PROFI-2541/ PROFI-2541-SC**

PROFIBUS Interface	9-pin D-Sub(Female)
PROFIBUS Transceiver	ADI ADM2486 iCoupler Isolated transceiver
Transmission Rate	Up to 3Mbps
Power Requirement	10V ~ 30V
Power Consumption	1W
Connector	ST / SC(Multi-Mode)
Wave Length	850 nm
Fiber cable	62.5 / 125 μ m
Propagation Delay	125ns max (125ns delay shortens bus line length by ~ 25 m)
Transmission Distance	1.4 km max (in 62.5/125 μ m fiber cable)
Operating Temp.	-25°C ~ +75°C
Storage Temp.	-30°C ~ +85°C
Humidity	5% ~ 95%(Non Condensing)
Dimensions	33 mm x 126.8 mm x 104.5 mm (W x L x H)

● **PROFI-2542-SC**

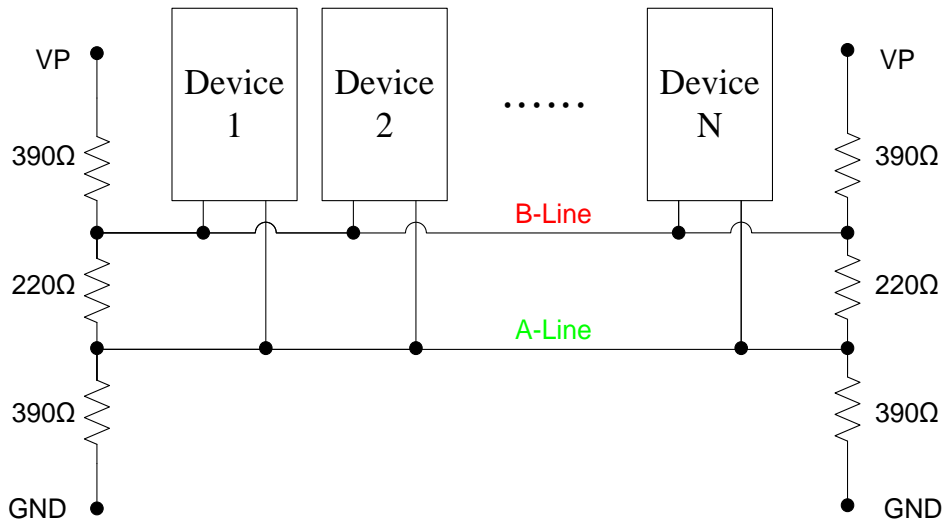
PROFIBUS Interface	9-pin D-Sub(Female)
PROFIBUS Transceiver	ADI ADM2486 iCoupler Isolated transceiver
Transmission Rate	Up to 12Mbps
Power Requirement	10V ~ 30V
Power Consumption	1W
Connector	SC(Single-Mode)
Wave Length	1310 nm

Fiber cable	9/125 μ m recommended
Transmission Distance	10km max (indicative only)
Operating Temp.	-25°C ~ +75°C
Storage Temp.	-30°C ~ +85°C
Humidity	5% ~ 95%(Non Condensing)
Dimensions	33 mm x 126.8 mm x 104.5 mm (W x L x H)

2. Hardware

2.1. Bus Wiring

In order to minimize the reflection effect of the signal transmission, PROFIBUS device has to fit with an active terminal resistor at both first node and last node, as shown below



However, the number of station in PROFIBUS network is also restricted. According to PROFIBUS specification, it is up to 32 stations connected in a PROFIBUS segment. If more than 32 stations are connected, the PROFIBUS repeater must be used to link the individual bus segments.

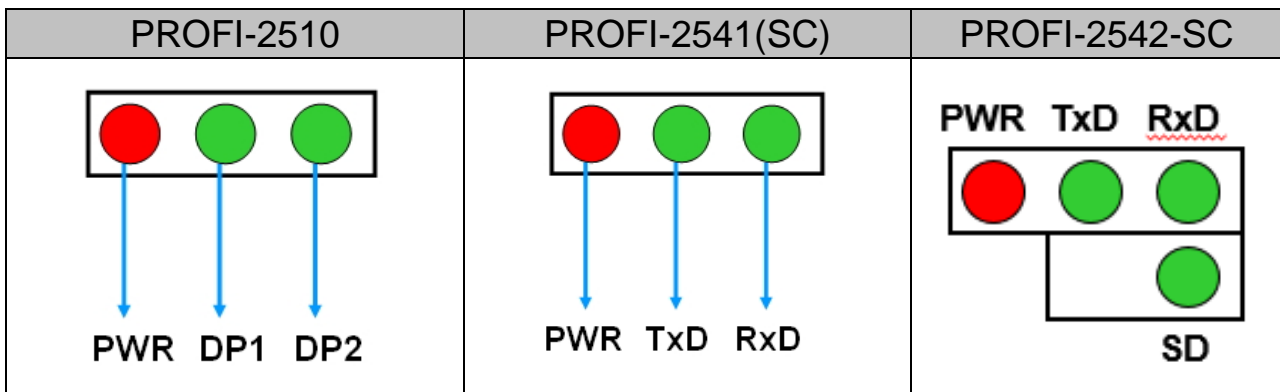
2.2. PROFIBUS Cable and Transmission Distance

The PROFIBUS cable with following properties has different transmission distance with respect to different transmission rate, shown in the following table

1. Impedance :135~165Ω
2. Capacity : lower than 30 pF/m
3. Loop resistance : lower than 110Ω/Km
4. Wire diameter : larger than 0.65mm
5. Core cross-section : larger than 0.34mm²

Transmission Rate(Kbps)	Transmission Distance per Segment (meter)
9.6, 19.2, 45.45, 93.75	1200
187.5	1000
500	400
1500	200
3000, 6000, 12000	100

2.3. Status Indicator

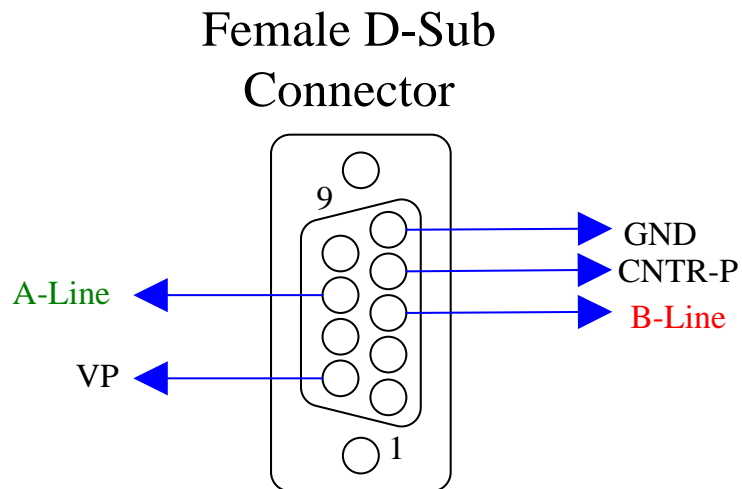


It provides three status indicator, In PROFI-2510, they are PWR LED (red), DP1 LED (green) and DP2 LED (green). In PROFI-2541(SC) / PROFI-2542-SC, they are PWR LED (red), TxD LED (green) and RxD LED (green). When the power is supplied to module, PWR LED will turn on; Transmitting/receiving one data to/from fiber cable will flash the DP1/DP2/TxD/RxD LED once. The DP1/DP2/TxD/RxD LED may always be turned on if there are a lot of data transmitted on fiber cable.

		PROFI-2510	PROFI-2541(SC)	PROFI-2542-SC
PWR (Red)	ON	Module Active		
	OFF	Module Inactive		
DP1 (Green)	Flashing	Data Transmitting	N/A	
	OFF	No Data Transmitting	N/A	
DP2 (Green)	Flashing	Data Transmitting	N/A	
	OFF	No Data Transmitting	N/A	
TxD (Green)	Flashing	N/A	Data Transmitting	
	OFF	N/A	No Data Transmitting	
RxD (Green)	Flashing	N/A	Data Transmitting	
	OFF	N/A	No Data Transmitting	
SD (Green)	ON	N/A		Fiber Signal Detected
	OFF	N/A		No Fiber Signal Detected

2.4. Connector

The connector of PROFI-25xx module is shown below



Pin No.	Signal	Meaning
3	B-Line	Receive/Transmit data - plus
4	CNTR-P	Repeater control signal, RTS signal
5	GND	Power ground of active terminator
6	VP	Power 5 volt of active terminator
8	A-Line	Receive/Transmit data - minus

Note: The connector of PROFI-25xx module has no terminators; users must use the connector with the terminator inside. The power of the terminator will provide by terminal device.

2.5. Baud rate support

PROFI-25xx module has a functionality of auto- detection for baud rates, users don't need to set the baud rate manually.

PROFI-2510 supports the entire baud rates of PROFIBUS. They are 9.6Kbps, 19.2Kbps, 45.45Kbps, 187.5Kbps, 500Kbps, 1.5Mbps, 3Mbps, 6Mbps, and 12Mbps.








PROFI-2541(SC) supports the entire baud rates of PROFIBUS. They are 9.6Kbps, 19.2Kbps, 45.45Kbps, 187.5Kbps, 500Kbps, 1.5Mbps, and 3Mbps.

PROFI-2542-SC supports the entire baud rates of PROFIBUS. They are 9.6Kbps, 19.2Kbps, 45.45Kbps, 187.5Kbps, 500Kbps, 1.5Mbps, 3Mbps, 6Mbps, and 12Mbps.

Note: Many baud rates only are supported by the particular cable or speed. For the detail, please refer to the above section “**PROFIBUS Cable and Transmission Distance**”

2.6. Dip Switch

Users can set dip switch to get a better PROFIBUS signal quality in PROFI-2542-SC module.

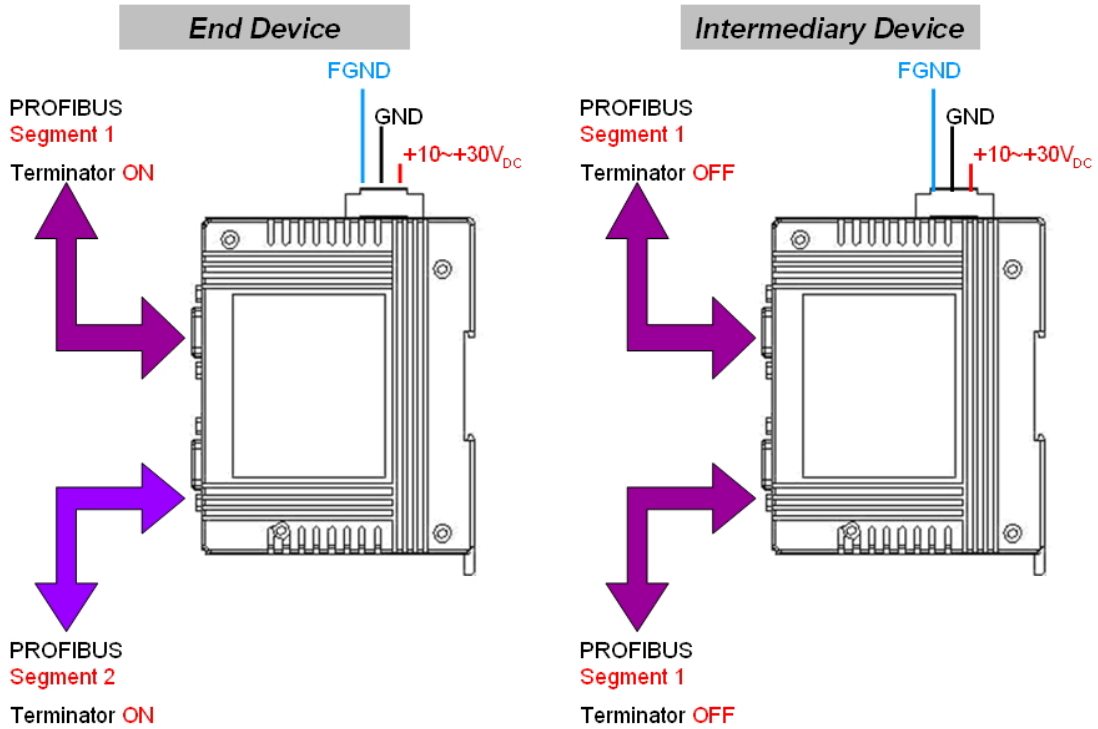
DSW	Baudrate (bps)
ON 	6M, 12M
ON 	3M
ON 	1.5M
ON 	500K
ON 	187.5M, 93.75K
ON 	45.45K
ON 	19.2K, 9.6K

2.7. Wire Connection

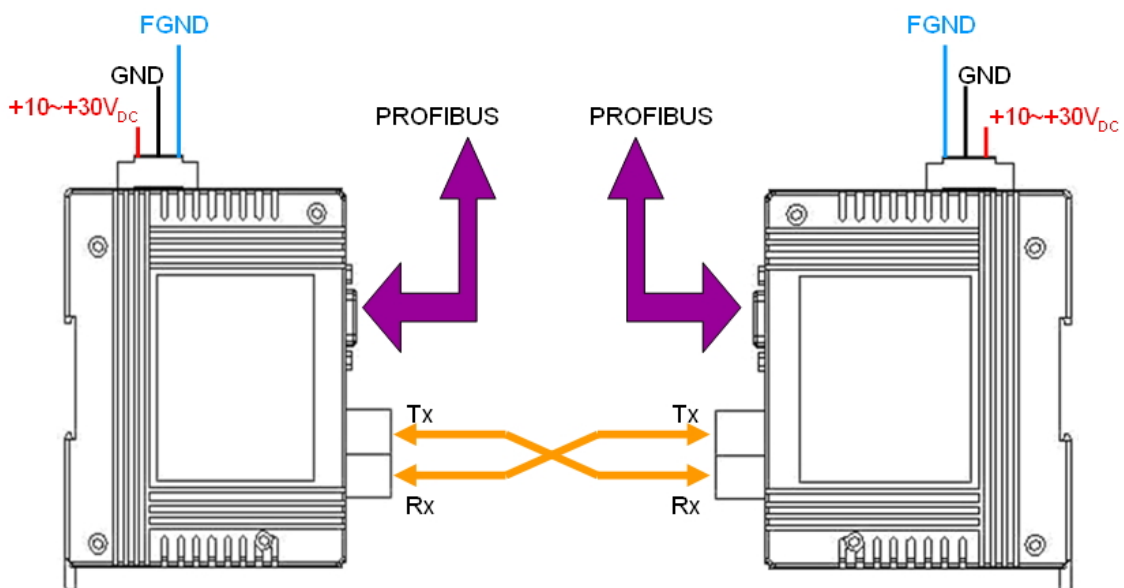
- PROFI-2510

If PROFI-2510 is a end device of PROFIBUS segment 1 and PROFIBUS segment 2. The terminal resistor of segment 1 is ON. The terminal resistor of segment 2 is ON.

If PROFI-2510 is an intermediary device of PROFIBUS segment 1. The terminal resistor of segment 1 is OFF.

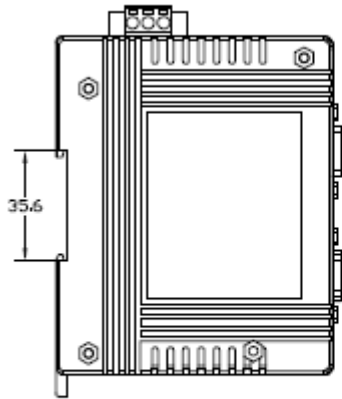


- PROFI-2541(SC) / PROFI-2542-SC

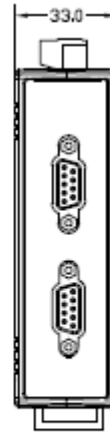


Appendix A. Dimensions

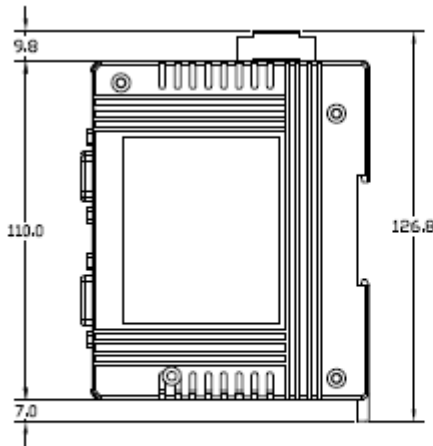
- PROFI-2510



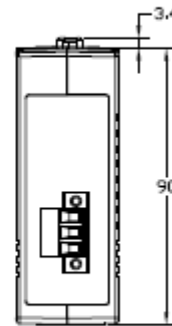
Right Side View



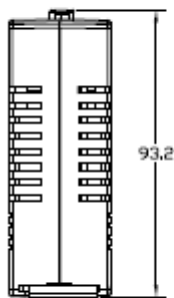
Front View



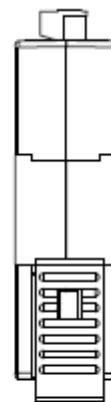
Left Side View



Top View

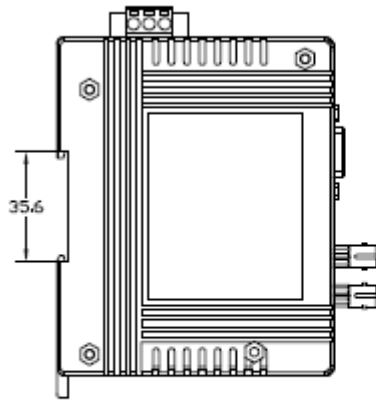


Bottom View

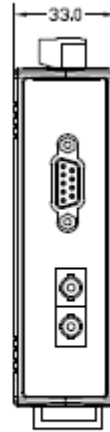


Back View

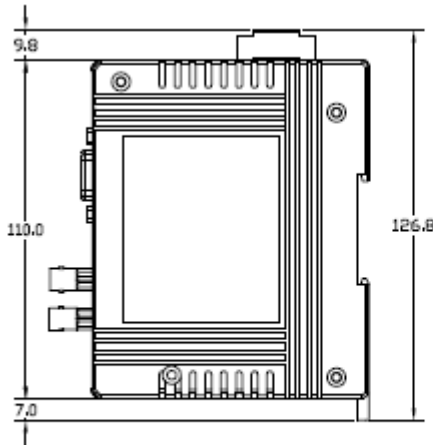
● PROFI-2541



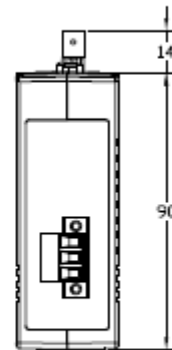
Right Side View



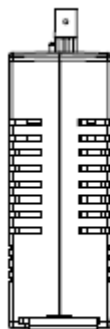
Front View



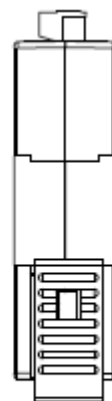
Left Side View



Top View

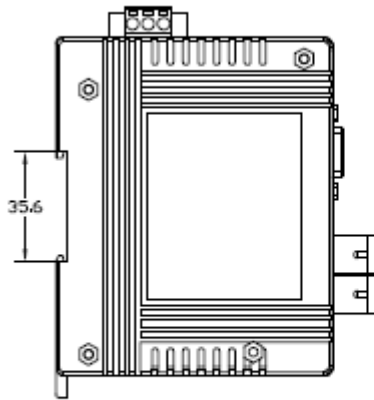


Bottom View

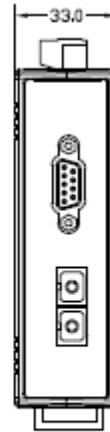


Back View

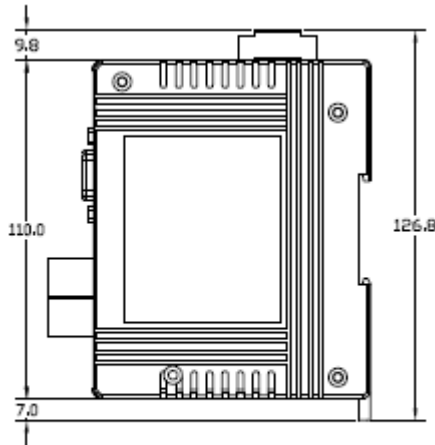
● PROFI-2541-SC / PROFI-2542-SC



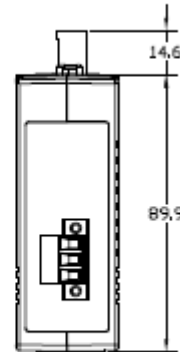
Right Side View



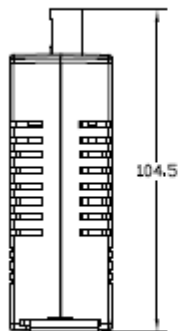
Front View



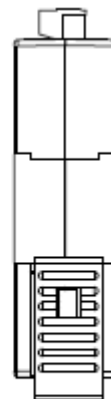
Left Side View



Top View



Bottom View



Back View