



iPPC-x731-WES7 Quick Start

Version 1.0.0 April 2015

Supported Models

➤ iPPC-5731-WES7

➤ iPPC-6731-WES7

Technical Support

iPPC User Manual:

CD:\Document\User_Manual\

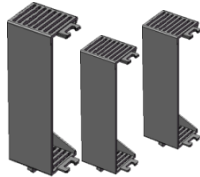
ftp://ftp.icpdas.com/pub/cd/ippc_wes7_e3827/document/user_manual/

What's in the box?

The package includes the following items:



iPPC and I/O socket * 3



8G CF card



Software Utility CD



Screw Driver



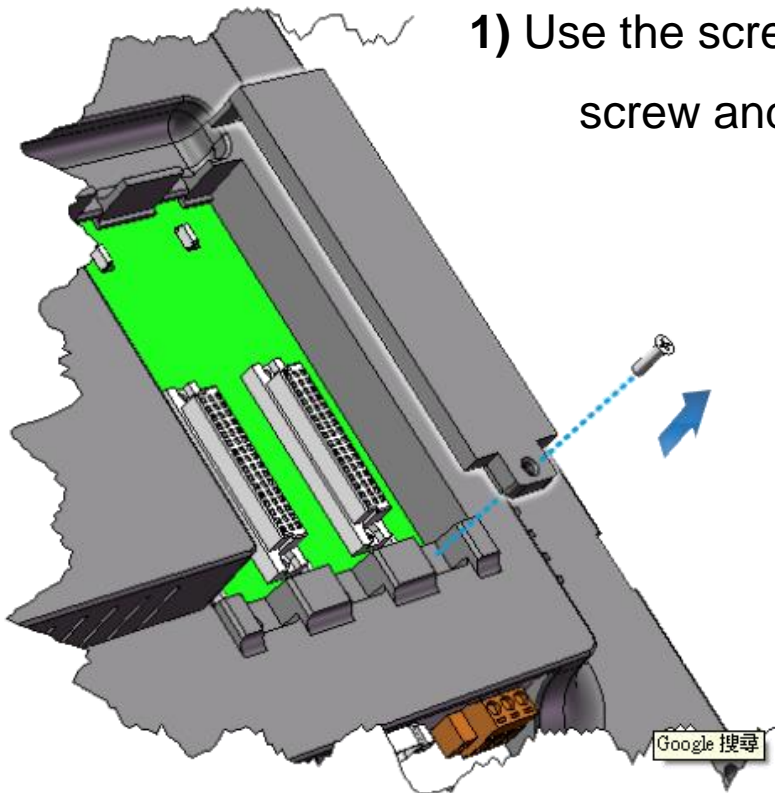
Panel clip * 4



M4 x 30L Screw * 4

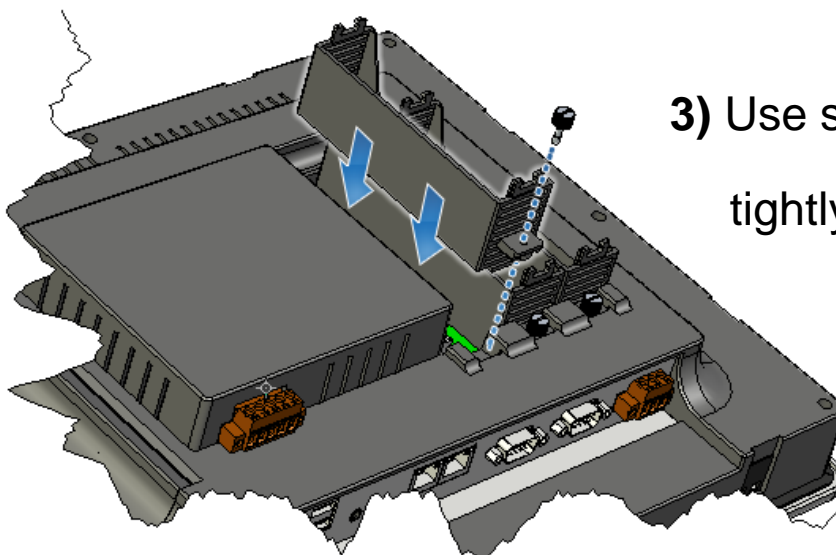
1 Inserting the I/O Module

There is a top case on each I/O socket. Before inserting the I/O module you first need to remove it.



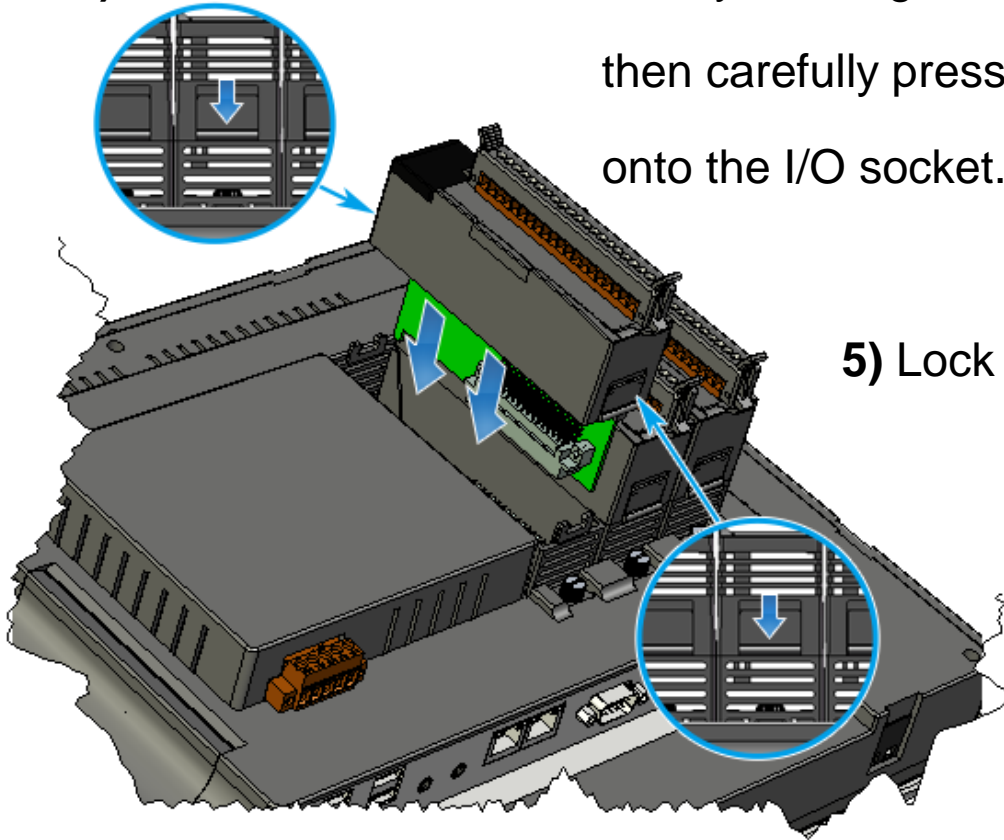
- 1) Use the screw driver to remove the screw and then remove the top case.

- 2) Hold the I/O socket vertically and align the iPPC socket and then carefully press the I/O socket onto the socket.



- 3) Use screw driver to screw tightly the screw.

4) Hold the I/O module vertically and align the I/O socket, and then carefully press the I/O module onto the I/O socket.

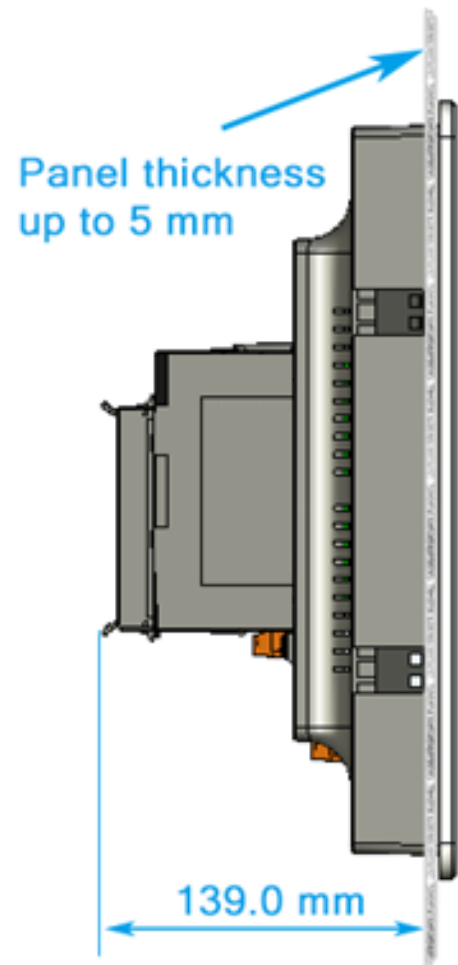


2 Mounting the Hardware

The iPPC can be mounted on a panel of maximum thickness 5 mm. Adequate access space can be available at the rear of the instrument panel for wiring and servicing purposes.

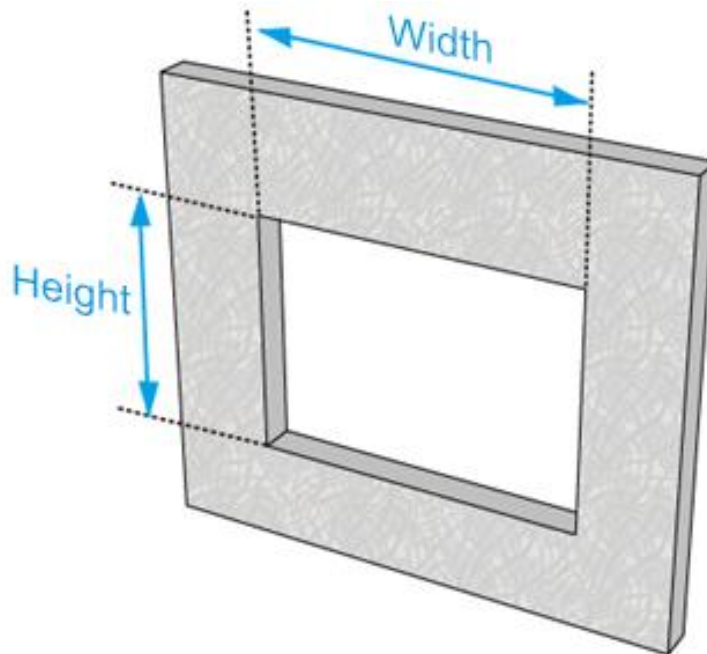


To ensure proper ventilation for your iPPC, leave a minimum of 50 mm space between the top and bottom edges of the iPPC and the enclosure panels.



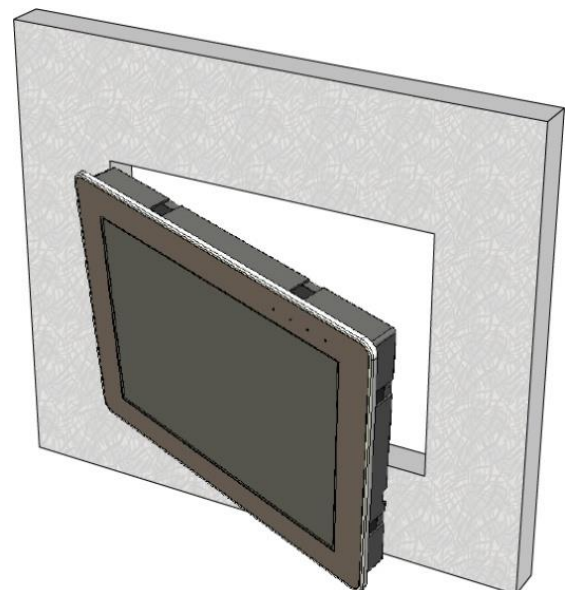
1) Prepare the panel and cut the hole to the specified size.

The table below shows the dimension of the panel cut-out of iPPC.

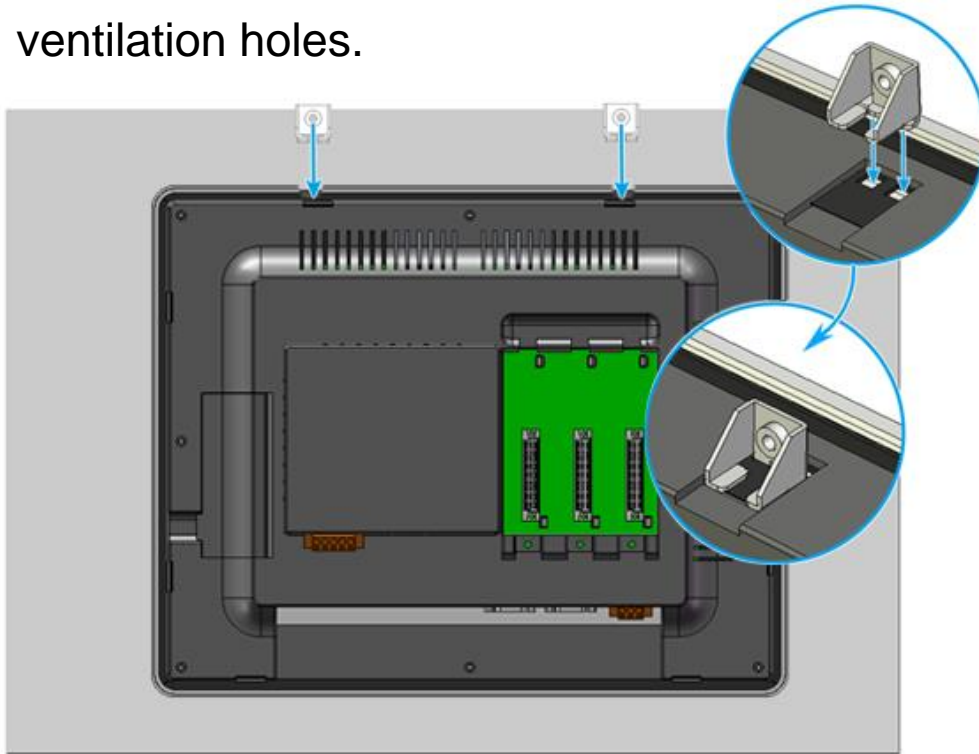


Models	Panel Cut-Out (Width x Height)
iPPC-5731-WES7	309 mm x 240 mm, ± 1 mm
iPPC-6731-WES7	366 mm x 290 mm, ± 1 mm

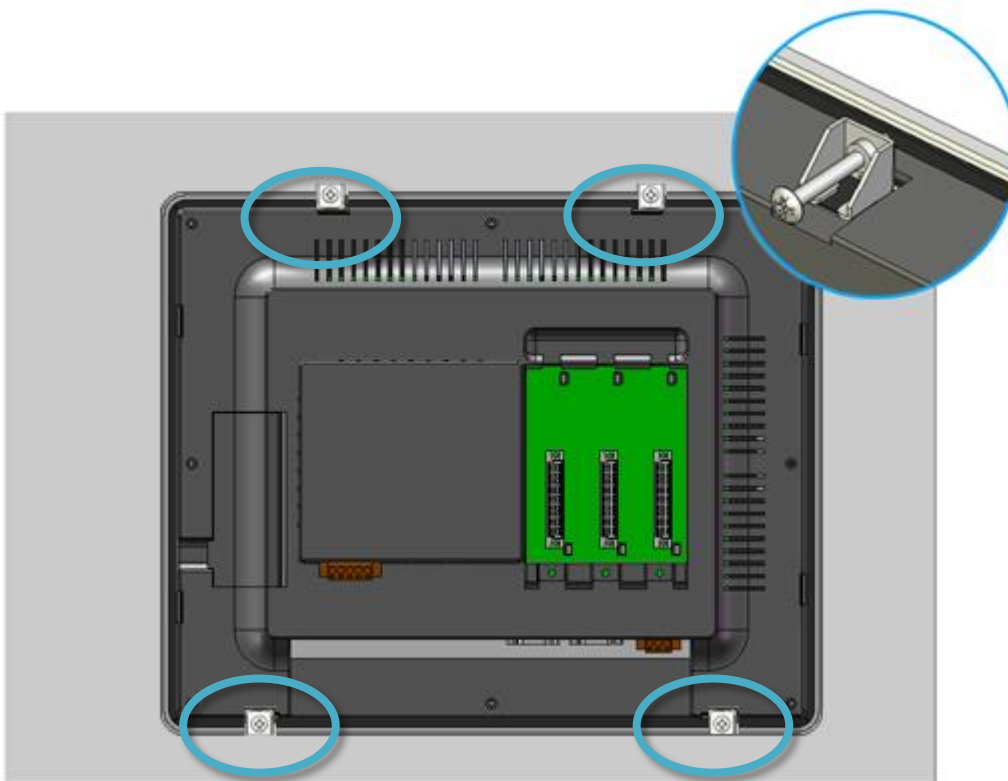
2) Attach the iPPC to the cut-out hole.



3) Insert the panel mounting clips into the upper and lower ventilation holes.



4) Screw the panel mounting clips to the panel.



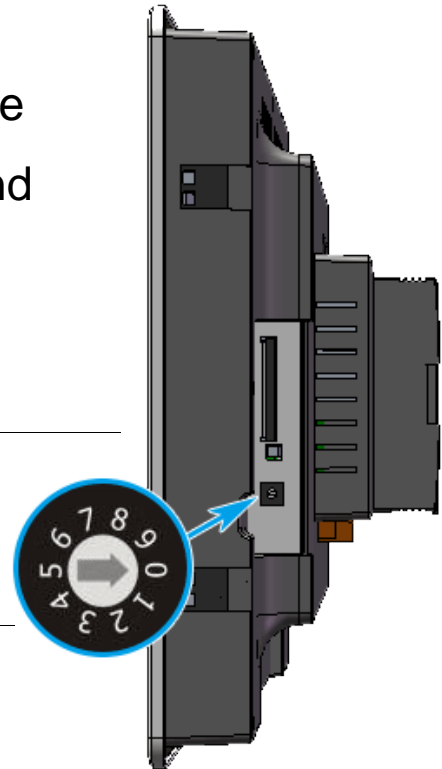
Recommended Screw Torque: 3.4 ~ 4.5 kgf-cm.

3 Setting up the iPPC

- 1) Connect the positive terminal (+) of the power supply to the terminal PWR and the negative terminal (-) of the power supply to the P.GND.

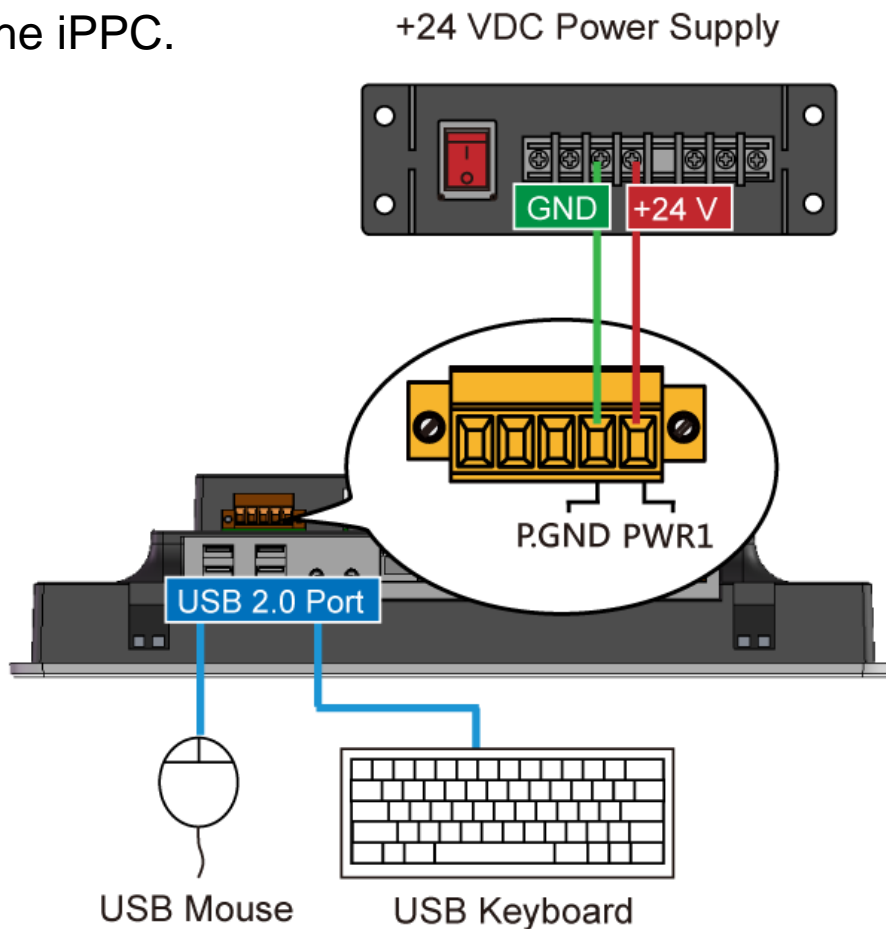


The input range of power supply is +10 ~ +30 V_{DC}.



- 2) Connect the USB mouse or the USB keyboard to the USB port.

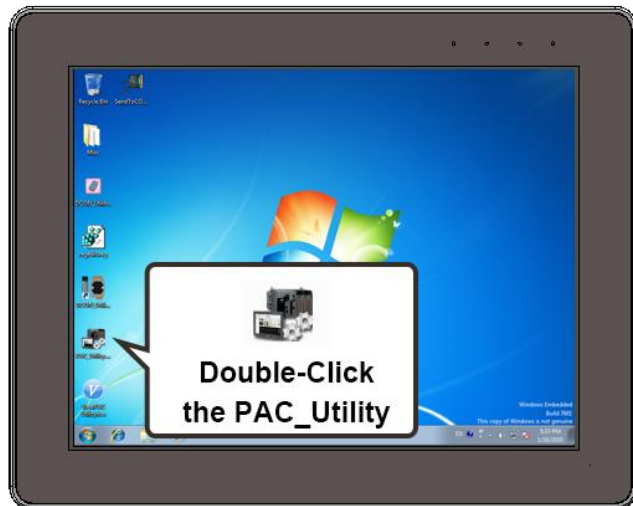
- 3) Turn on the iPPC.



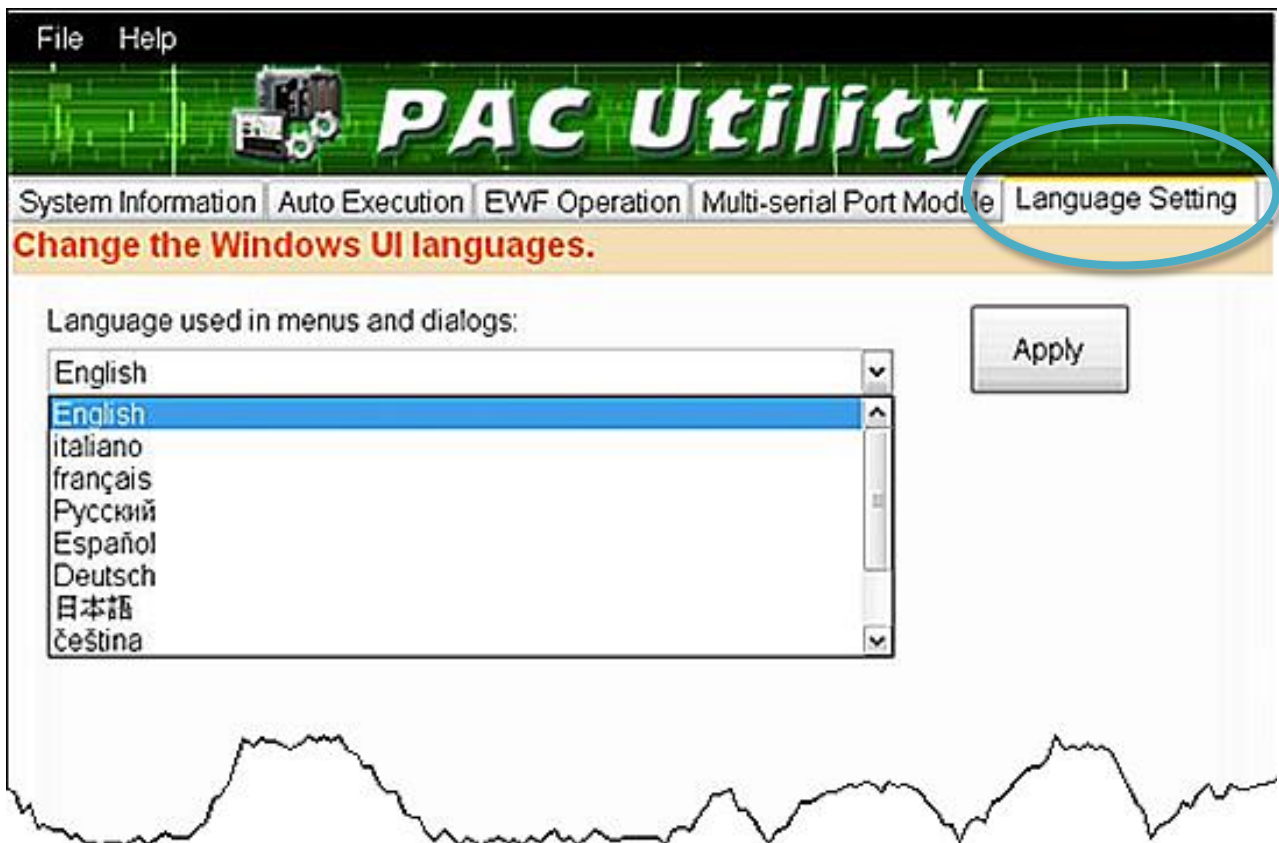
4 Changing the User Interface Language

PAC Utility allows users to easily change the iPPC user interface with your native language.

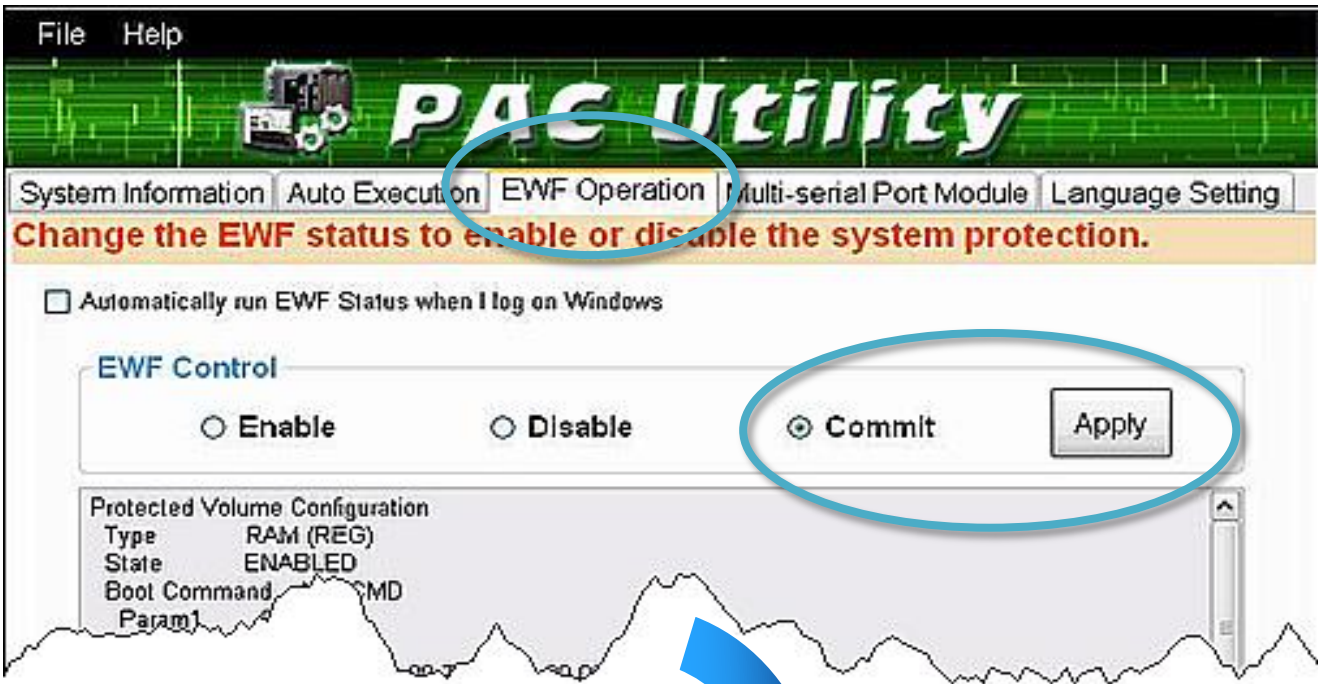
1) Run the PAC Utility



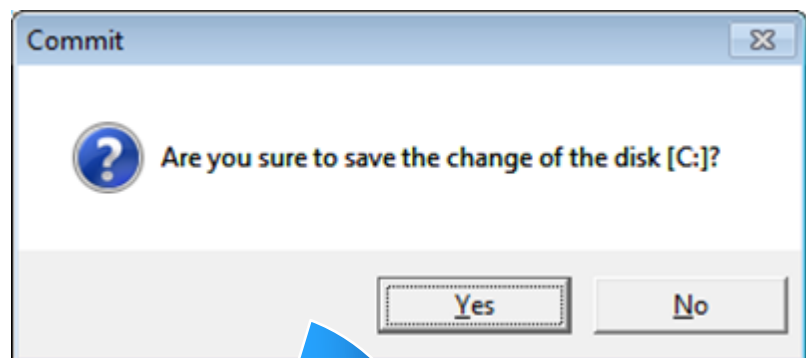
2) Click the Language Setting tab, choose your preferred language that you want to use for iPPC menus and dialogs, and then click Apply button.



- 3) Click the EWF Operation tab, select the Commit option, and then click Apply button.



- 4) In the pop-up dialog box, click Yes button to save changes to the disk.



- 5) Log off the iPPC, and then login again for changes to take effect.

