



# I/O CARD QUICK START GUIDE

for

**DB-24POR/ 24SSR/  
24SSRDC/12SSR**

Language	English
Version	V1.2
Update	Dec.2008

# 1

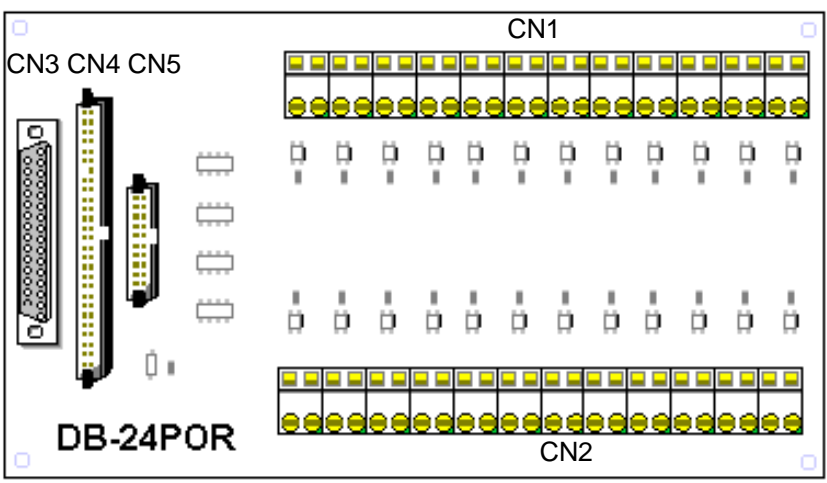
## Package

- One DB-24POR/24SSR/24SSRDC/12SSR Daughter Board
- One CA-5015 Cable(for DB-24POR/24SSR/24SSRDC/12SSR) or CA-3710 Cable(for DB-24POR/24SSR/D/24SSRDC/D/12SSR/D)
- One User's Guide(this document)

# 2

## Pin Assignments

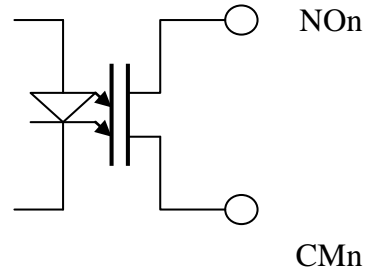
### ✓ DB-24POR



➤ **CN1/CN2**

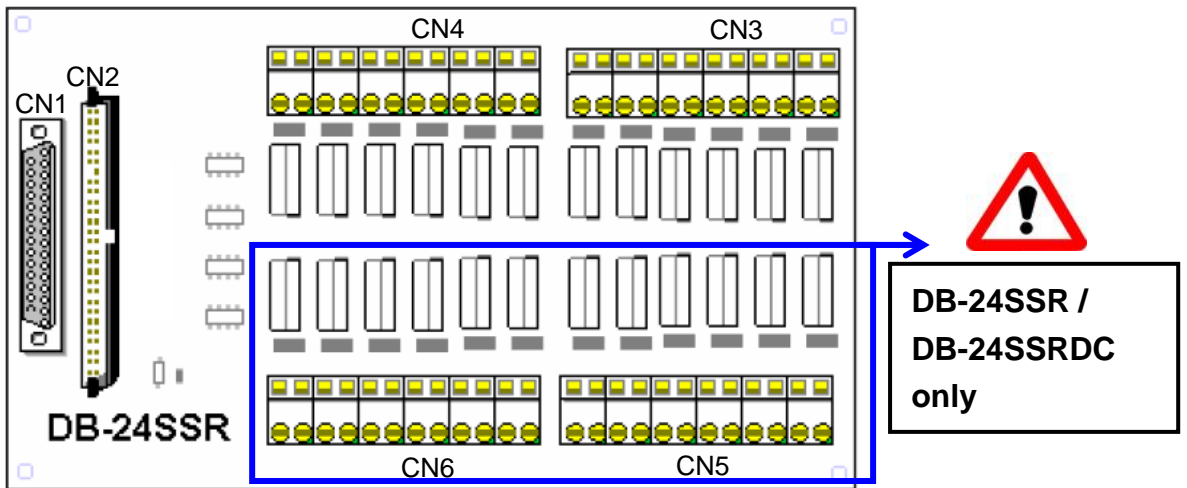
**DB-24POR**

<b>Channel 0~23</b>	<b>NO<sub>n</sub></b>	<b>CM<sub>n</sub></b>
Form A	Normal Open	Common



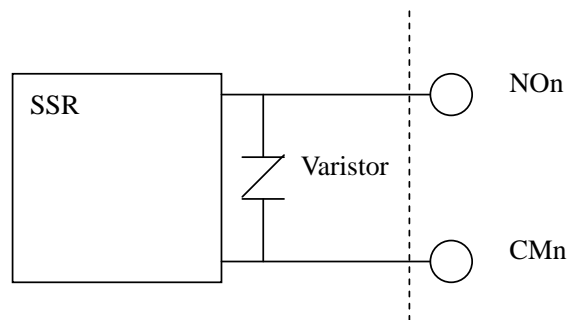
**Form A type Photo-MOS Relay**

✓ **DB-24SSR/DB-24SSRDC/DB-12SSR**



➤ **CN3/CN4/CN5/CN6**

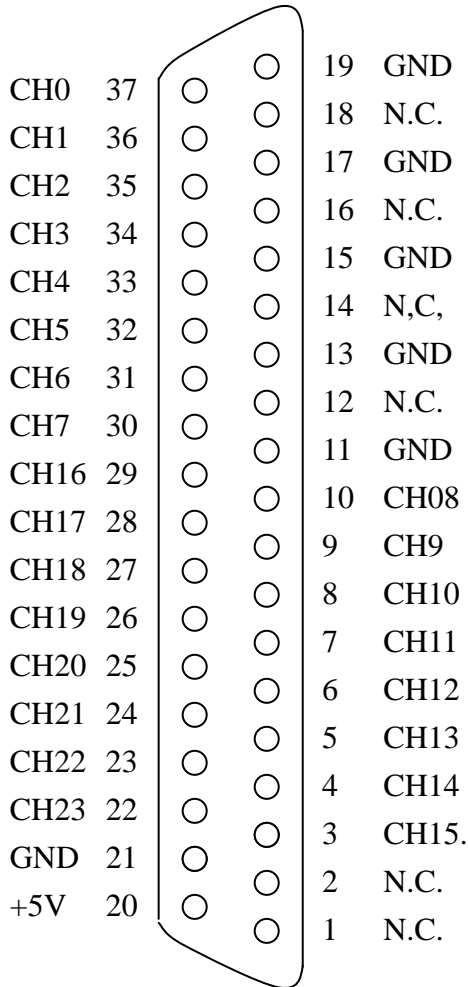
<b>DB-12SSR (CN3,CN4)</b>		
<b>Channel 0~11</b>	<b>NO<sub>n</sub></b>	<b>CM<sub>n</sub></b>
Form A	Normal Open	Common
<b>DB-24SSR / DB-24SSRDC (CN3,CN4,CN5,CN6)</b>		
<b>Channel 0~23</b>	<b>NO<sub>n</sub></b>	<b>CM<sub>n</sub></b>
Form A	Normal Open	Common



**Form A type SSR Relay**

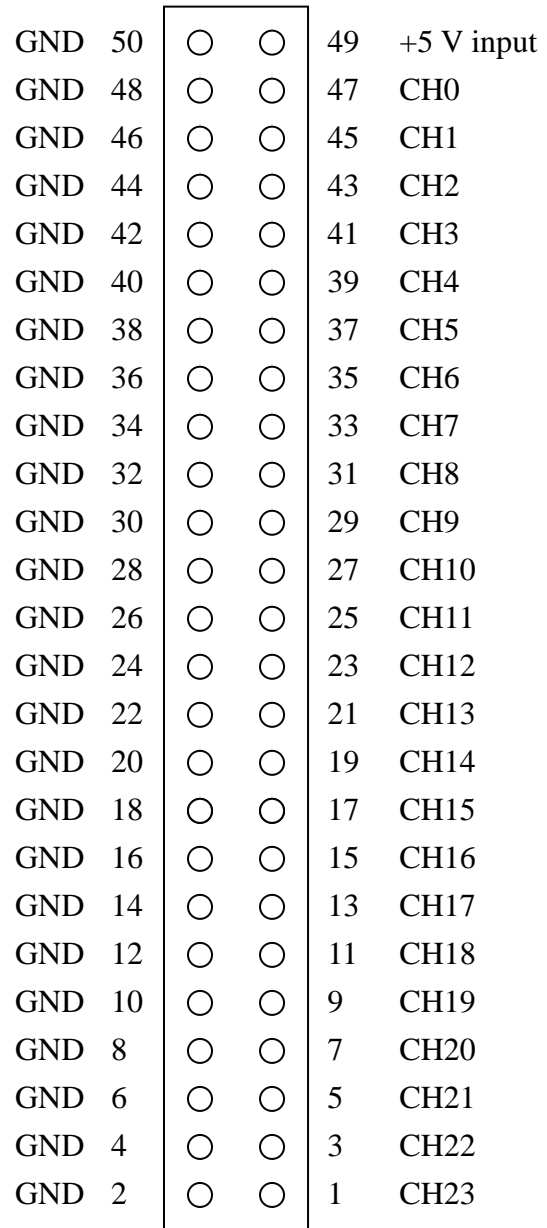
### CN3(DB-24POR)/CN1(DB-24SSR (DC)/12SSR) Pin Assignment

DB-24POR/24SSR(DC) for CH0 ~ CH23  
DB-12SSR for CH0 ~ CH11

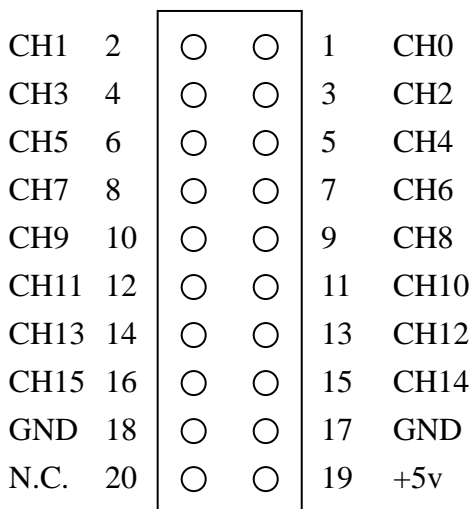


### CN4(DB-24POR)/CN2(DB-24SSR (DC)/12SSR) Pin Assignment

DB-24POR/24SSR(DC) for CH0 ~ CH23  
DB-12SSR for CH0 ~ CH11



### CN5 (DB-24POR) Pin Assignment



#### Note:

+5 V : Power input DC +5 V

GND: Power's Ground

CHn : TTL's Signal

# 3

## Additional Information

✓ DB-24POR Product Page:

[http://www.icpdas.com/products/DAQ/screw\\_terminal/db\\_24por.htm](http://www.icpdas.com/products/DAQ/screw_terminal/db_24por.htm)

✓ DB-24SSR/DB-24SSRDC Product Page:

[http://www.icpdas.com/products/DAQ/screw\\_terminal/db\\_24ssr.htm](http://www.icpdas.com/products/DAQ/screw_terminal/db_24ssr.htm)

✓ DB-12SSR Product Page:

[http://www.icpdas.com/products/DAQ/screw\\_terminal/db\\_12ssr.htm](http://www.icpdas.com/products/DAQ/screw_terminal/db_12ssr.htm)

✓ Document:

CD:\NAPDOS\Daughter\_Board

[http://www.icpdas.com/download/Daughter\\_Board/dbdio.pdf](http://www.icpdas.com/download/Daughter_Board/dbdio.pdf)

### The ICP DAS Web Site

<http://www.icpdas.com>



- Technical support
- Supplies and ordering information
- Ways to enhance your device
- FAQ
- Application story

### Contact Us

[Service@icpdas.com](mailto:Service@icpdas.com)

Copyright ©2008 by ICP DAS Co., Ltd. All right are reserved



# I/O CARD QUICK START GUIDE

for

DB-24POR/ 24SSR/  
24SSRDC/12SSR

語言  
版本  
更新日期

繁體中文  
V1.2  
Dec.2008

## 1

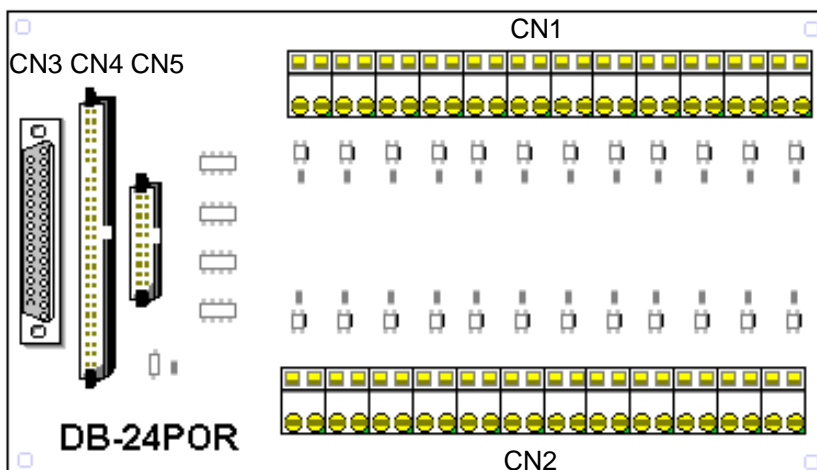
### 檢查配件

- 一張 DB-24POR/24SSR/24SSRDC/12SSR 端子板
- 一條 CA-5015 排線(產品為 DB-24POR/24SSR/24SSRDC/12SSR)或 CA-3710 排線(產品為 DB-24POR/24SSR/D/24SSRDC/D/12SSR/D)
- 一張使用者指南(本文件)

## 2

### 腳位定義

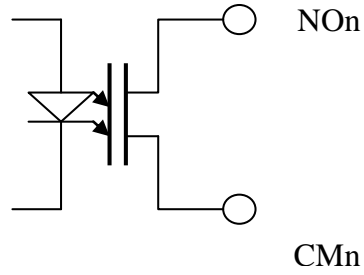
#### ✓ DB-24POR



➤ **CN1/CN2**

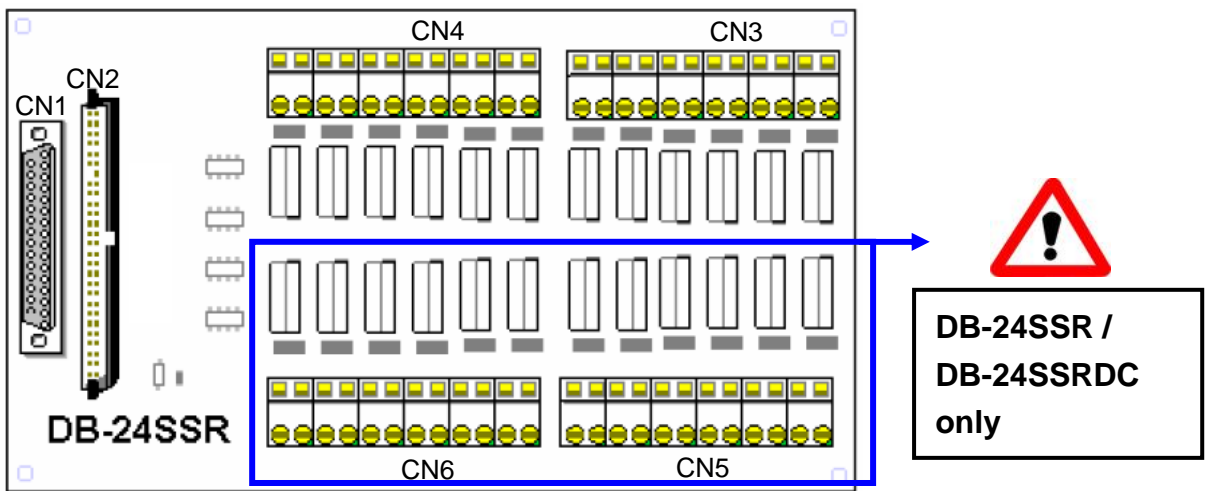
**DB-24POR**

Channel 0~23	NO <sub>n</sub>	CM <sub>n</sub>
Form A	Normal Open	Common



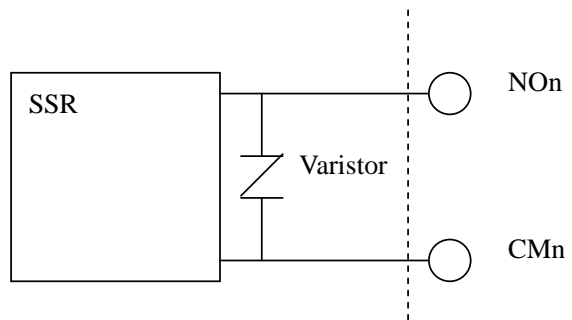
**Form A type Photo-MOS Relay**

✓ **DB-24SSR/DB-24SSRDC/DB-12SSR**



➤ **CN3/CN4/CN5/CN6**

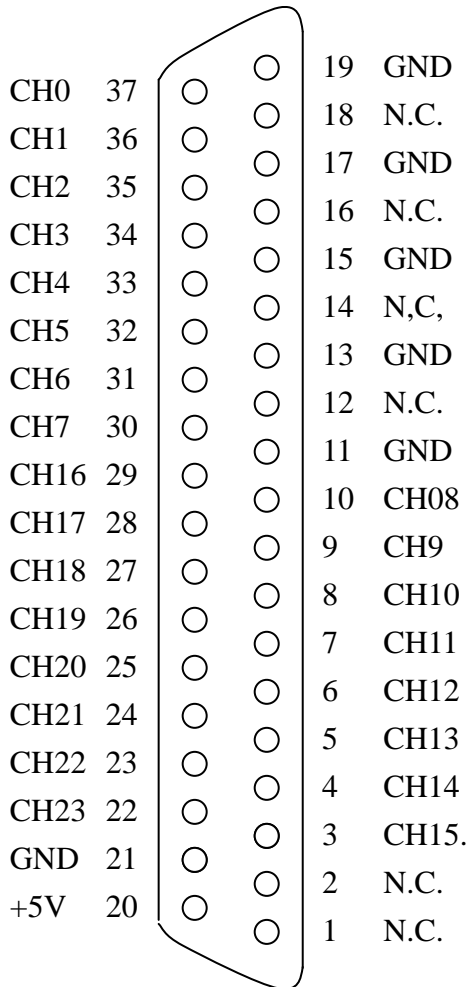
DB-12SSR (CN3,CN4)		
Channel 0~11	NO <sub>n</sub>	CM <sub>n</sub>
Form A	Normal Open	Common
DB-24SSR / DB-24SSRDC (CN3,CN4,CN5,CN6)		
Channel 0~23	NO <sub>n</sub>	CM <sub>n</sub>
Form A	Normal Open	Common



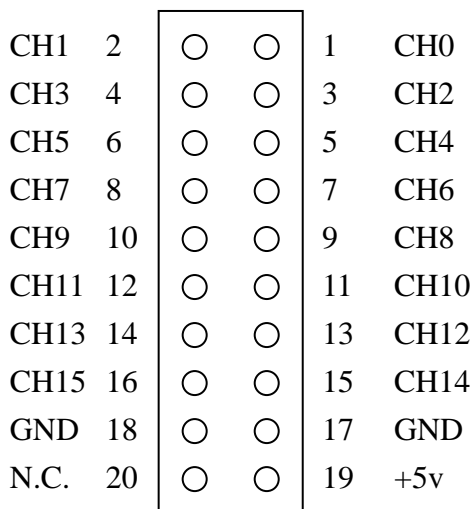
**Form A type SSR Relay**

**CN3(DB-24POR)/CN1(DB-24SSR(DC)/12SSR) 腳位定義**

DB-24POR/24SSR(DC) 爲 CH0 ~ CH23  
DB-12SSR 爲 CH0 ~ CH11

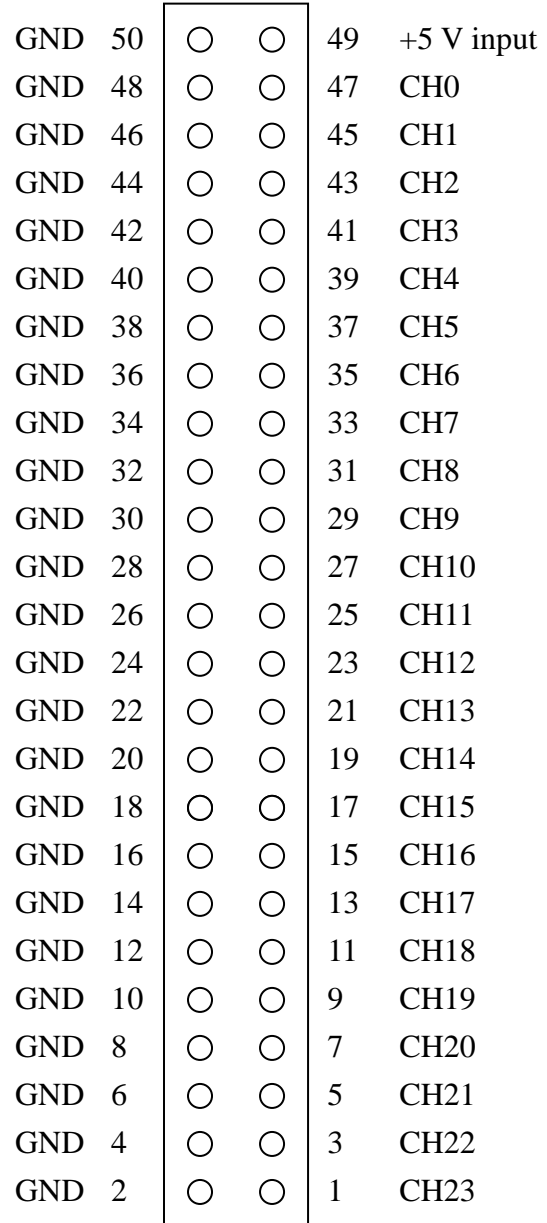


**CN5 (DB-24POR) 腳位定義**



**CN4(DB-24POR)/CN2(DB-24SSR(DC)/12SSR) 腳位定義**

DB-24POR/24SSR(DC) 爲 CH0 ~ CH23  
DB-12SSR 爲 CH0 ~ CH11



**注意:**

+5 V : Power input DC +5 V  
GND: Power's Ground  
CHn : TTL's Signal

# 3

## 參考資訊

✓ DB-24POR 產品網頁:

[http://www.icpdas.com/products/DAQ/screw\\_terminal/db\\_24por.htm](http://www.icpdas.com/products/DAQ/screw_terminal/db_24por.htm)

✓ DB-24SSR/DB-24SSRDC 產品網頁:

[http://www.icpdas.com/products/DAQ/screw\\_terminal/db\\_24ssr.htm](http://www.icpdas.com/products/DAQ/screw_terminal/db_24ssr.htm)

✓ DB-12SSR 產品網頁:

[http://www.icpdas.com/products/DAQ/screw\\_terminal/db\\_12ssr.htm](http://www.icpdas.com/products/DAQ/screw_terminal/db_12ssr.htm)

✓ 相關文件位置:

CD:\NAPDOS\Daughter\_Board

[http://www.icpdas.com/download/Daughter\\_Board/dbdio.pdf](http://www.icpdas.com/download/Daughter_Board/dbdio.pdf)

### 泓格科技(ICP DAS)主網頁

<http://www.icpdas.com>



### 聯絡方式

[Service@icpdas.com](mailto:Service@icpdas.com)

- 專業技術支援
- 代理商及訂購資訊
- 增強設備功能的相關資訊
- 常見問題
- 應用案例

Copyright ©2008 by ICP DAS Co., Ltd. All right are reserved