



# DAUGHTER BOARD USER'S GUIDE

for

**DB-1825**

Language  
Version  
Update

English  
V1.0  
Oct.2008

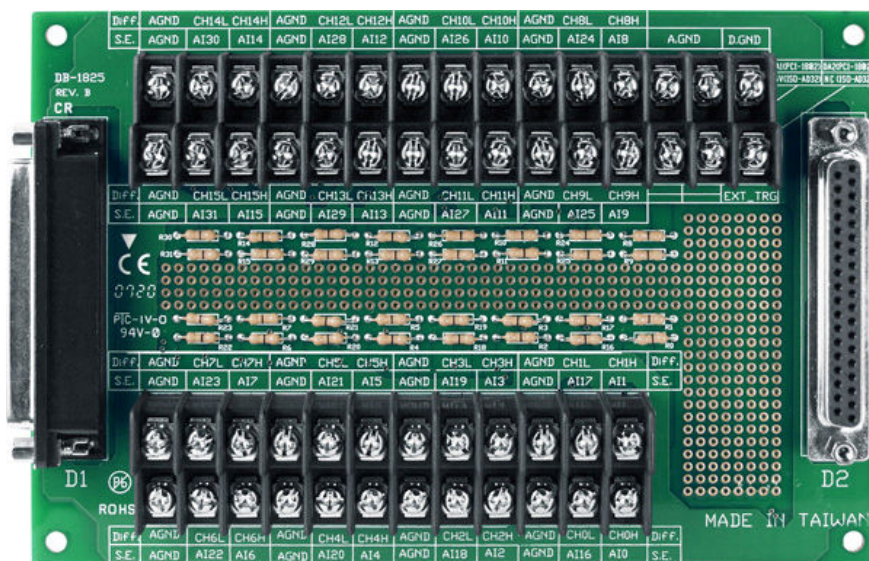
# 1

## Package

- One DB-1825 Daughter board
- One CA-3710 Cable
- One User's Guide(this document)

# 2

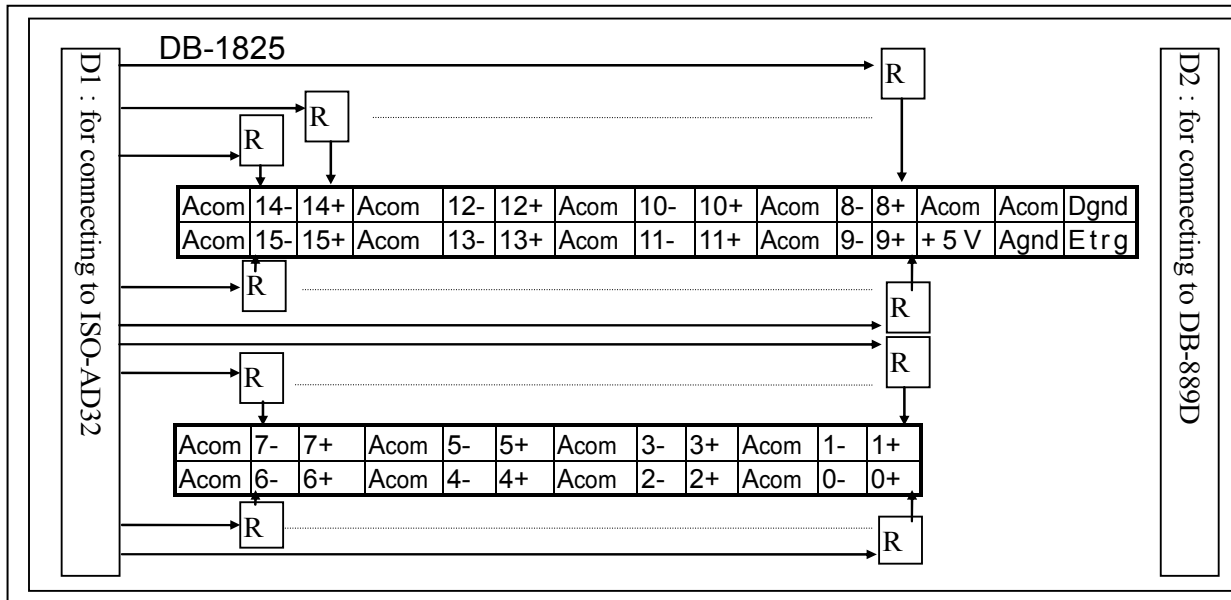
## DB-1825 Board



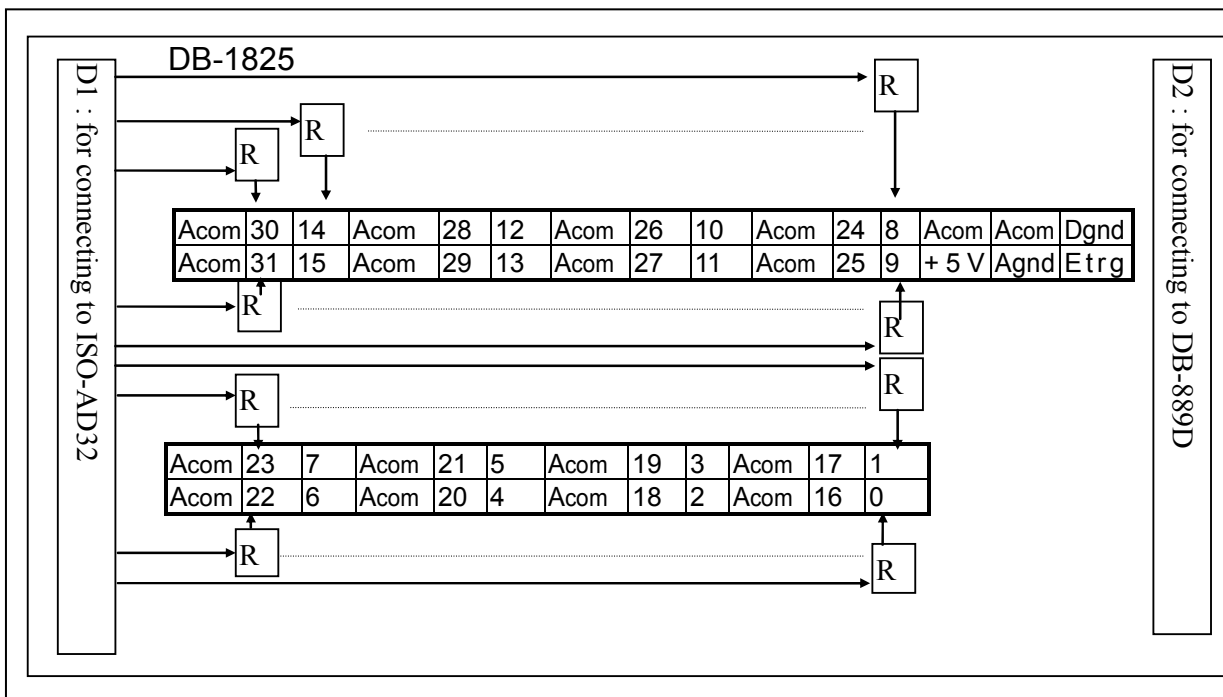
# 3

## Layout

- PCB layout for connecting to ISO-AD32:  
for differential input (R=0 ohm)



for single-ended input (R=0 ohm)

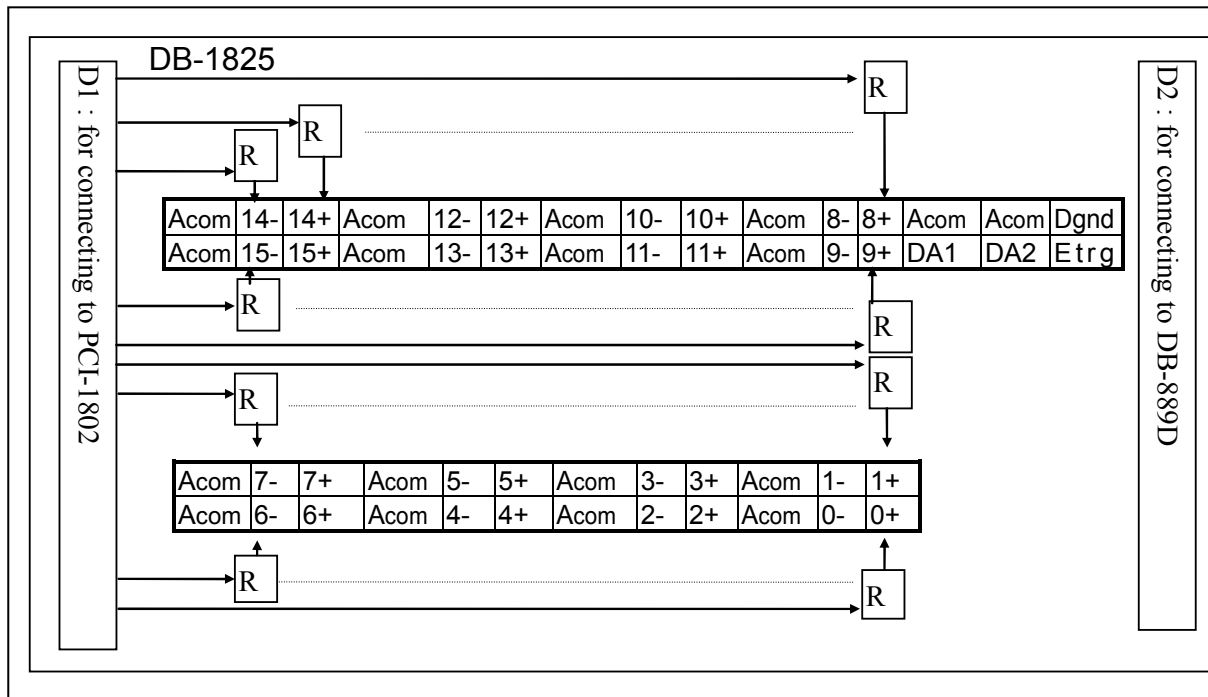


**Note**

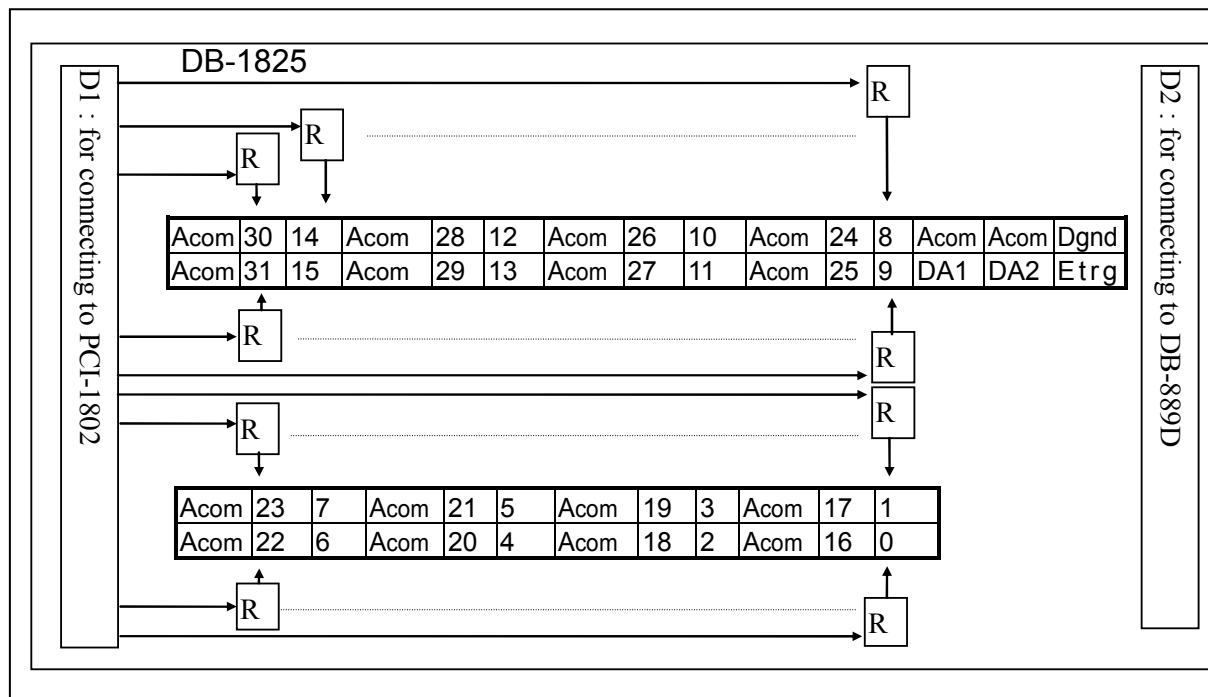
Pin assignment of D1 same as CN1 of ISO-AD32

Pin assignment of D2 same as CN1 of DB-889D

➤ PCB layout for connecting to PCI-1802:  
for differential input (R=0 ohm)



for single-ended input (R=0 ohm)



**Note** Pin assignment of D1 same as CON3 of PCI-1802  
Pin assignment of D2 same as CN1 of DB-889D

# 4

## Additional Information

✓ DB-1825 Product Page:

[http://www.icpdas.com/products/DAQ/screw\\_terminal/db\\_1825.htm](http://www.icpdas.com/products/DAQ/screw_terminal/db_1825.htm)

✓ Document:

CD:\ NAPDOS\Daughter\_Board

[http://ftp.icpdas.com/pub/cd/iocard/pci/napdos/daughter\\_board/](http://ftp.icpdas.com/pub/cd/iocard/pci/napdos/daughter_board/)

### The ICP DAS Web Site

<http://www.icpdas.com>



- Technical support
- Supplies and ordering information
- Ways to enhance your device
- FAQ
- Application story

### Contact Us

[Service@icpdas.com](mailto:Service@icpdas.com)

Copyright ©2008 by ICP DAS Co., Ltd. All right are reserved



# DAUGHTER BOARD USER'S GUIDE

for

**DB-1825**

語言  
版本  
更新日期

繁體中文  
V1.0  
Oct.2008

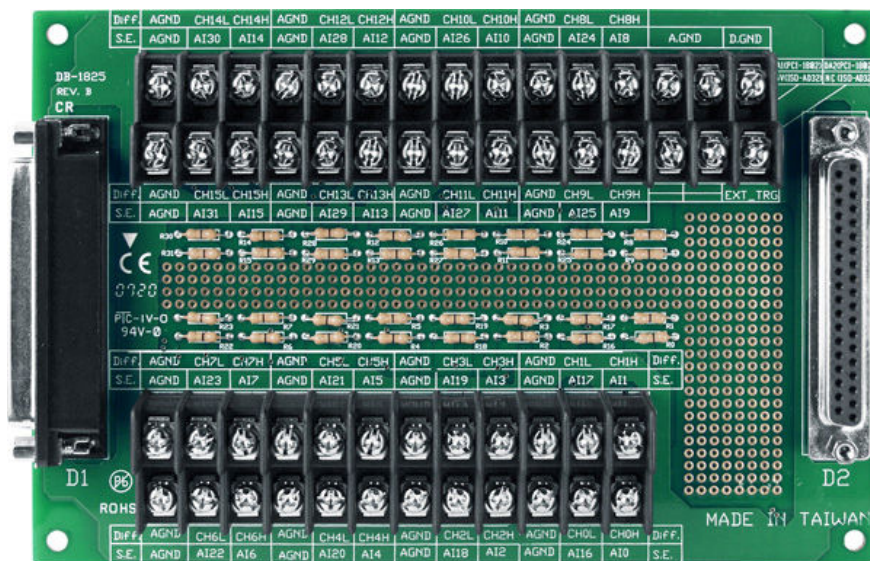
## 1

### 檢查配件

- 一張 **DB-1825** 端子板
- 一條 **CA-3710** 排線
- 一張使用者指南(本文件)

## 2

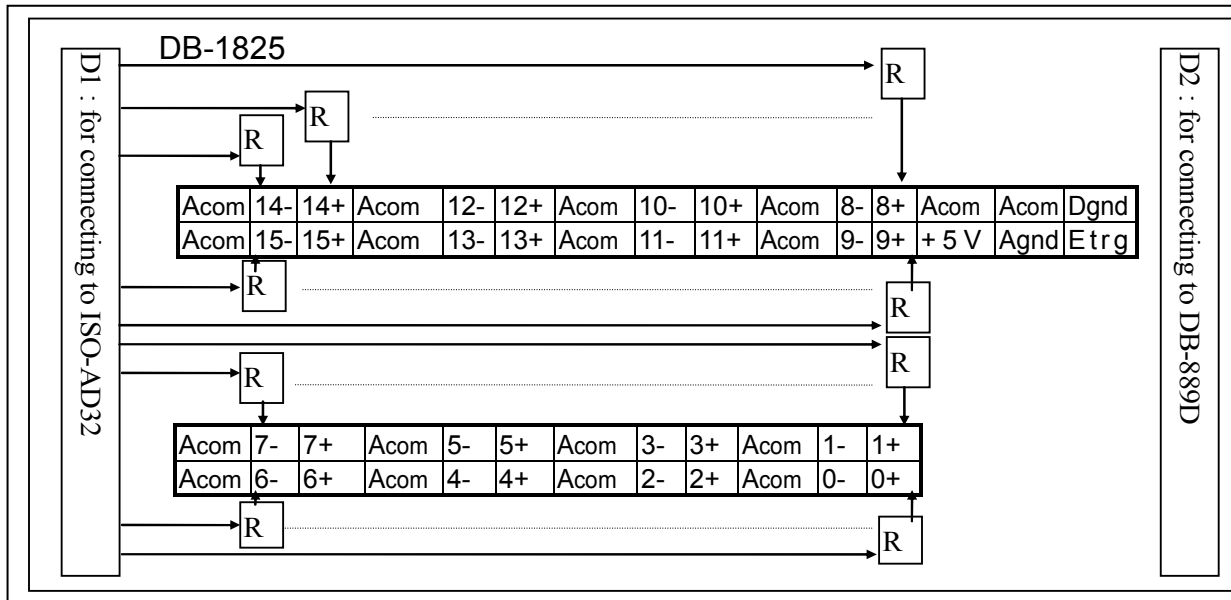
### DB-1825 板卡



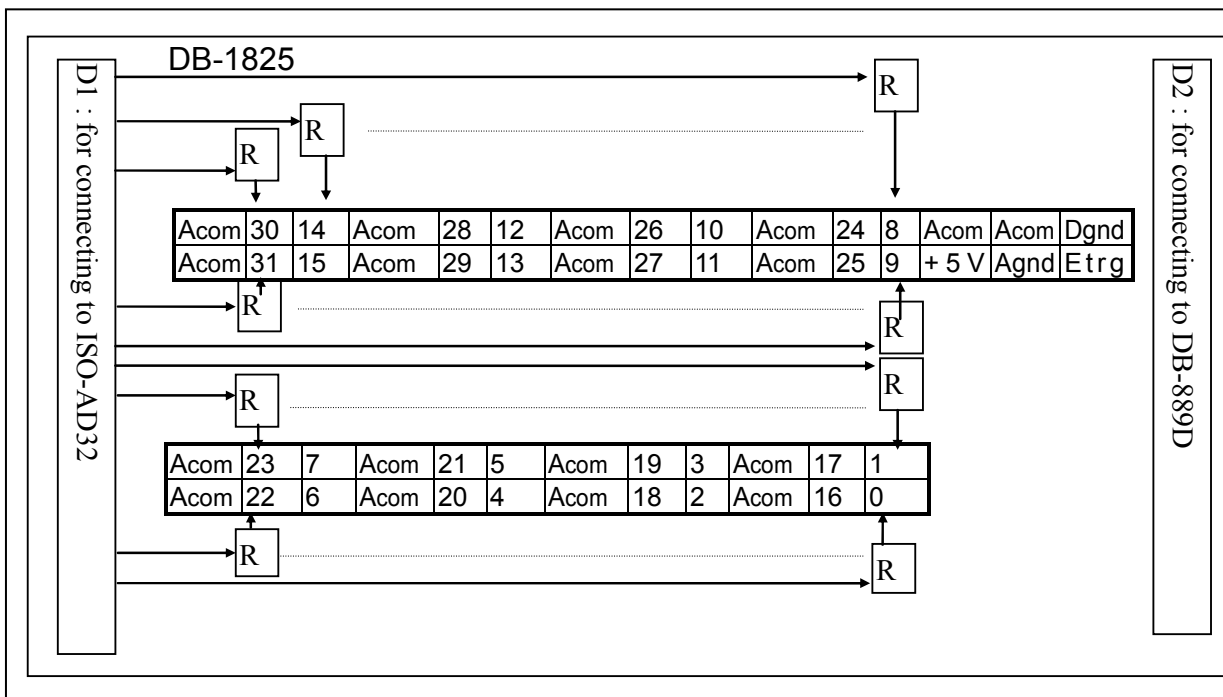
# 3

## 板卡配置圖

- PCB 版面連接 ISO-AD32:  
differential 輸入 (R=0 ohm)



single-ended 輸入 (R=0 ohm)



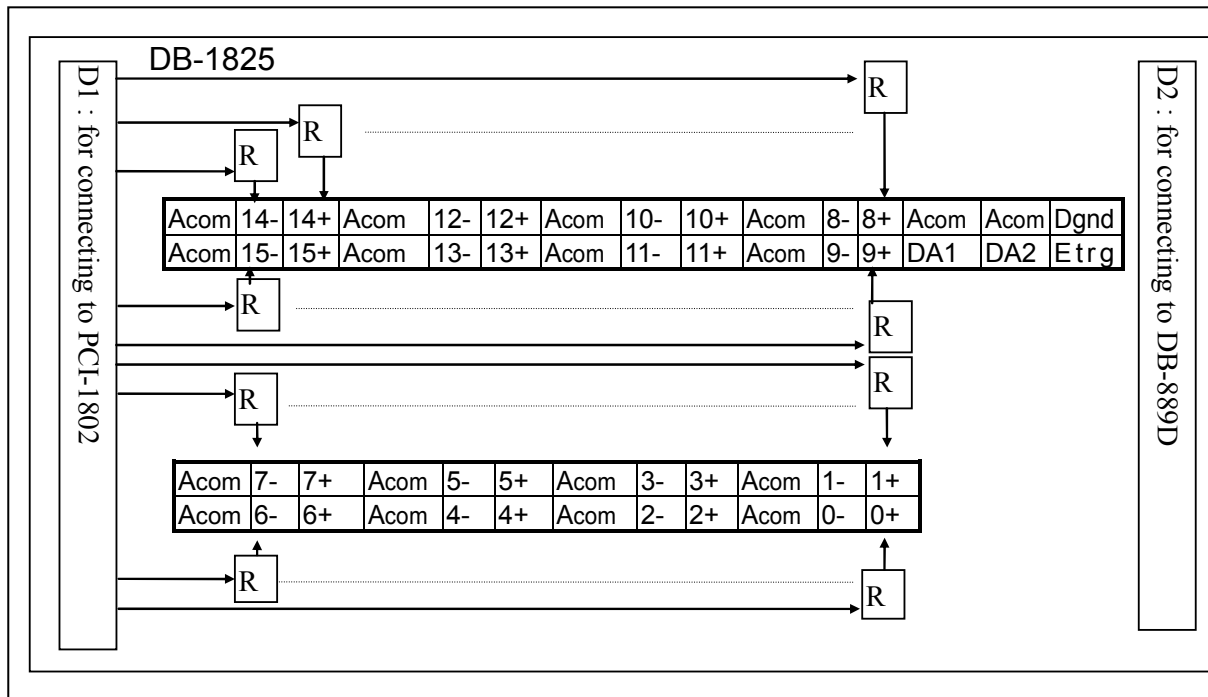
**Note**

D1 的腳位定義相同於 ISO-AD32 的 CN1

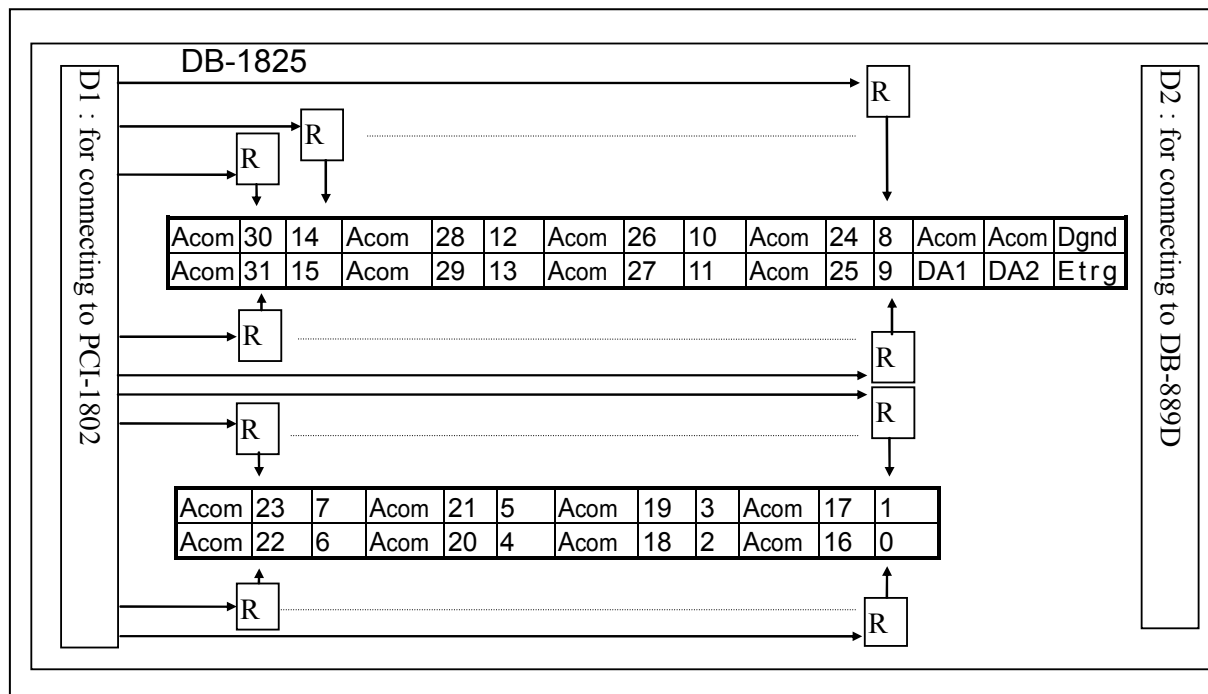
D2 的腳位定義相同於 DB-889D 的 CN1

## ➤ PCB 版面連接 PCI-1802:

differential 輸入 (R=0 ohm)



single-ended 輸入 (R=0 ohm)



**Note**

D1 的腳位定義相同於 PCI-1802 的 CON3

D2 的腳位定義相同於 DB-889D 的 CN1

# 4

## 參考資訊

✓ DB-1825 產品網頁:

[http://www.icpdas.com/products/DAQ/screw\\_terminal/db\\_1825.htm](http://www.icpdas.com/products/DAQ/screw_terminal/db_1825.htm)

✓ 相關文件位置:

CD:\NAPDOS\Daughter\_Board

[http://ftp.icpdas.com/pub/cd/iocard/pci/napdos/daughter\\_board/](http://ftp.icpdas.com/pub/cd/iocard/pci/napdos/daughter_board/)

泓格科技(ICP DAS)主網頁

<http://www.icpdas.com>



聯絡方式

[Service@icpdas.com](mailto:Service@icpdas.com)

- 專業技術支援
- 代理商及訂購資訊
- 增強設備功能的相關資訊
- 常見問題
- 應用案例

Copyright ©2008 by ICP DAS Co., Ltd. All right are reserved