



# DAUGHTER BOARD USER'S GUIDE

for **DB-8325/DB-8225**

Language English  
Version V1.0  
Update Oct.2008

# 1

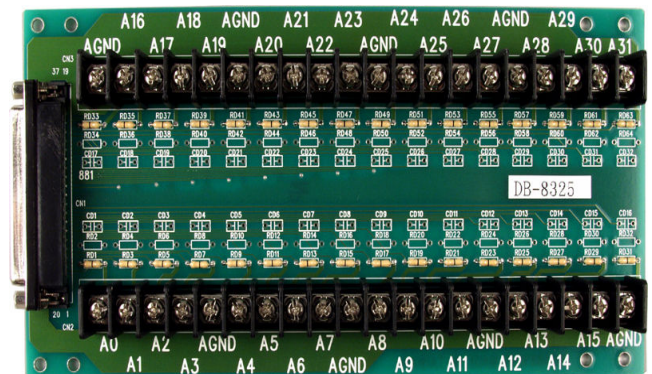
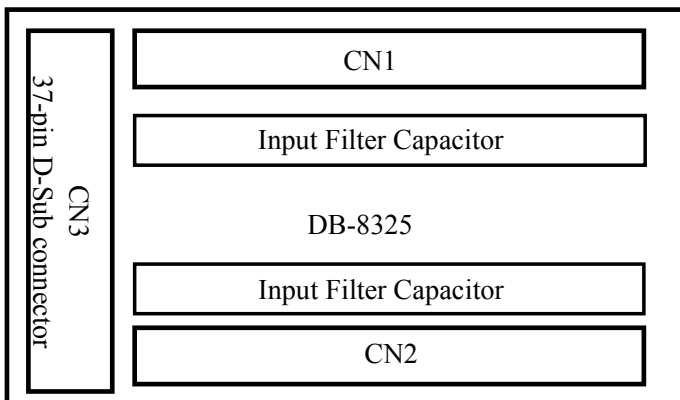
## Package

- One DB-8325/DB-8225 Daughter board
- One CA-3710 Cable
- One User's Guide(this document)

# 2

## Layout

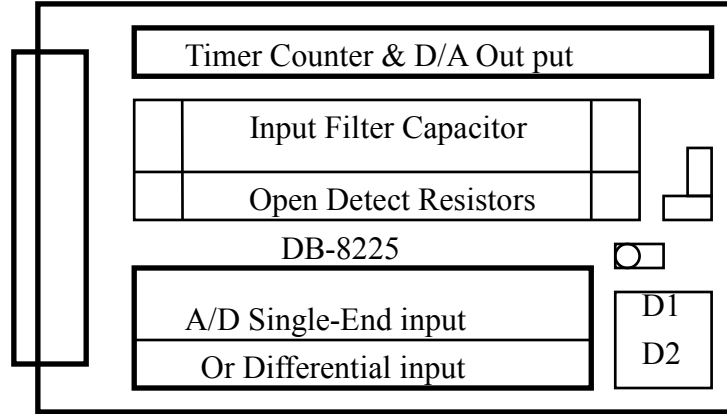
### ➤ DB-8325



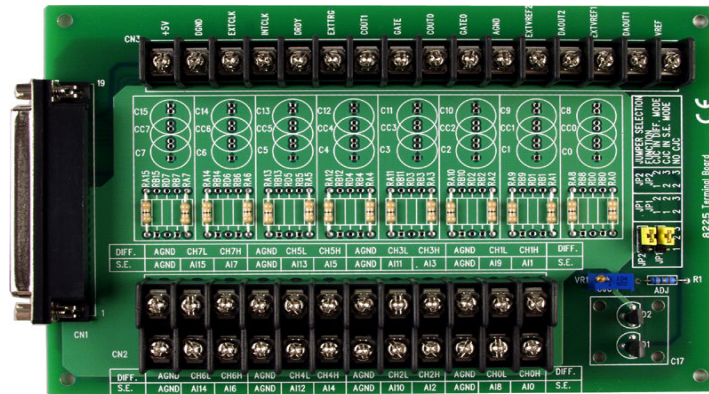
**Note** (1)A0~A31 for A-832 analog input channel 0 ~ channel 31  
 (2)A.GND for A-832 analog ground.

# ➤ DB-8225

37-Pin Connector

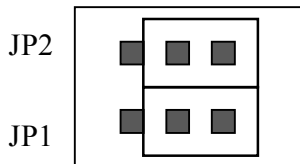


**JP1/JP2**  
**CJC Selection**  
**CJC Calibration**  
**V.R.**

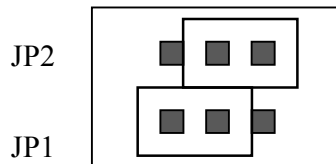


# 3 Jumper Setting

## ➤ DB-8225

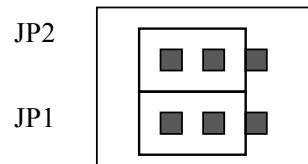


NO CJC Connection  
(Default)



Single-End CJC Connection

To single-end mode  
A/D channel 0



Differential CJC Connection

To differential mode  
A/D channel 0

# 4

## Pin Assignments

### ➤ DB-8325

1	A0	1	AGND
2	A1	2	A16
3	A2	3	A17
4	A3	4	A18
5	AGND	5	A19
6	A4	6	AGND
7	A5	7	A20
8	A6	8	A21
9	A7	9	A22
10	AGND	10	A23
11	A8	11	AGND
12	A9	12	A24
13	A10	13	A25
14	A11	14	A26
15	AGND	15	A27
16	A12	16	AGND
17	A13	17	A28
18	A14	18	A29
19	A15	19	A30
20	AGND	20	A31

### ➤ DB-8225

	S.E.	DIFF.		S.E.	DIFF.		Pin name
1	AGND	AGND	1	AGND	AGND	1	+5V
2	AI14	CH6L	2	AI15	CH7L	2	D.GND
3	AI16	CH6H	3	AI17	CH7H	3	EXTCLK
4	AGND	AGND	4	AGND	AGND	4	INTCLK
5	AI12	CH4L	5	AI13	CH5L	5	DRDY
6	AI4	CH4H	6	AI5	CH5H	6	EXTTRG
7	AGND	AGND	7	AGND	AGND	7	COUT1
8	AI10	CH2L	8	AI11	CH3L	8	GATE
9	AI2	CH2H	9	AI3	CH3H	9	COUT0
10	AGND	AGND	10	AGND	AGND	10	GATE0
11	AI8	CH0L	11	AI9	CH1L	11	AGND
12	AI0	CH0H	12	AI1	CH1H	12	EXTVREF2
	S.E.	DIFF.		S.E.	DIFF.	13	DAOUT2
						14	EXTVREF1
						15	DAOUT1
						16	VREF

# 5

## Additional Information

- ✓ DB-8325 Product Page:

[http://www.icpdas.com/products/DAQ/screw\\_terminal/db\\_8325.htm](http://www.icpdas.com/products/DAQ/screw_terminal/db_8325.htm)

- ✓ DB-8225 Product Page:

[http://www.icpdas.com/products/DAQ/screw\\_terminal/db\\_8225.htm](http://www.icpdas.com/products/DAQ/screw_terminal/db_8225.htm)

- ✓ Document:

CD:\NAPDOS\Daughter\_Board

[http://ftp.icpdas.com/pub/cd/iocard/pci/napdos/daughter\\_board/](http://ftp.icpdas.com/pub/cd/iocard/pci/napdos/daughter_board/)

### The ICP DAS Web Site

<http://www.icpdas.com>



- Technical support
- Supplies and ordering information
- Ways to enhance your device
- FAQ
- Application story

### Contact Us

[Service@icpdas.com](mailto:Service@icpdas.com)

Copyright ©2008 by ICP DAS Co., Ltd. All right are reserved



# DAUGHTER BOARD USER'S GUIDE

for **DB-8325/DB-8225**

語言  
版本  
更新日期

繁體中文  
V1.0  
Oct.2008

## 1

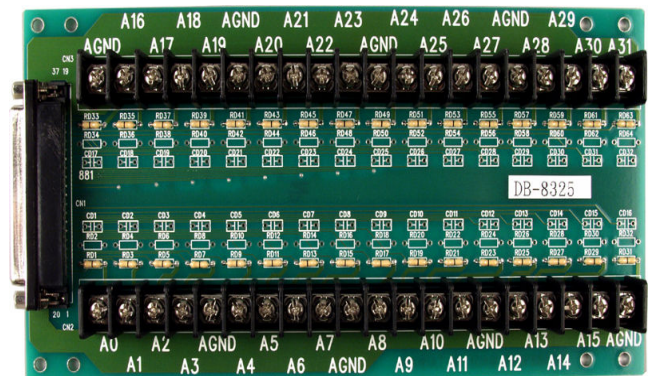
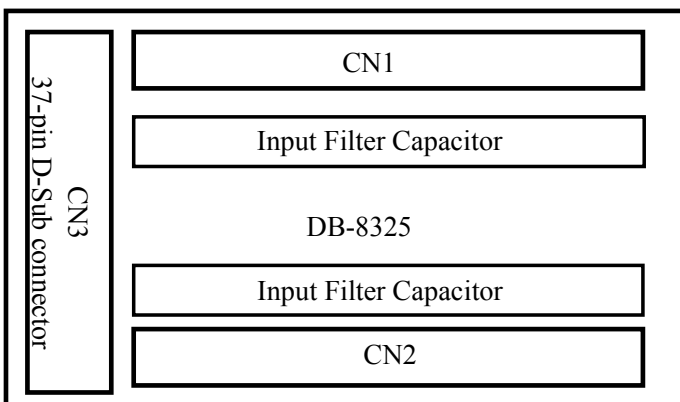
### 檢查配件

- 一張 **DB-8325/DB-8225** 端子板
- 一條 **CA-3710** 排線
- 一張使用者指南(本文件)

## 2

### 板卡配置圖

#### ➤ DB-8325

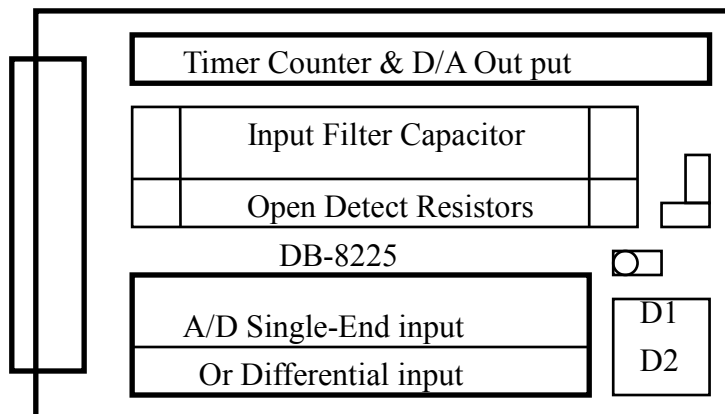


**Note**

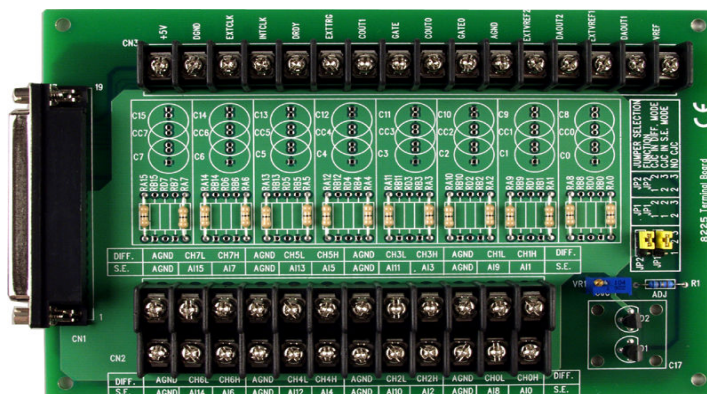
- (1) A0~A31 for A-832 analog input 通道 0 ~ 通道 31
- (2) A.GND for A-832 analog ground.

## ➤ DB-8225

37-Pin 接頭



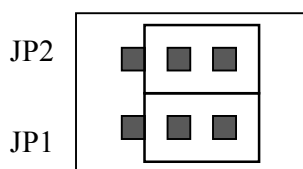
JP1/JP2  
CJC 選擇  
CJC Calibration  
V.R.



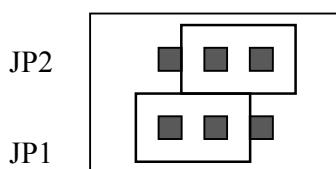
# 3

## 跳接器設定

### ➤ DB-8225

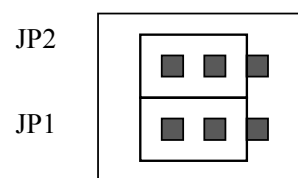


NO CJC 連接  
(預設)



Single-End CJC 連接

To single-end mode  
A/D channel 0



Differential CJC 連接

To differential mode  
A/D channel 0

# 4

## 腳位定義

### ➤ DB-8325

1	A0	1	AGND
2	A1	2	A16
3	A2	3	A17
4	A3	4	A18
5	AGND	5	A19
6	A4	6	AGND
7	A5	7	A20
8	A6	8	A21
9	A7	9	A22
10	AGND	10	A23
11	A8	11	AGND
12	A9	12	A24
13	A10	13	A25
14	A11	14	A26
15	AGND	15	A27
16	A12	16	AGND
17	A13	17	A28
18	A14	18	A29
19	A15	19	A30
20	AGND	20	A31

### ➤ DB-8225

	S.E.	DIFF.		S.E.	DIFF.		Pin name
1	AGND	AGND	1	AGND	AGND	1	+5V
2	AI14	CH6L	2	AI15	CH7L	2	D.GND
3	AI16	CH6H	3	AI17	CH7H	3	EXTCLK
4	AGND	AGND	4	AGND	AGND	4	INTCLK
5	AI12	CH4L	5	AI13	CH5L	5	DRDY
6	AI4	CH4H	6	AI5	CH5H	6	EXTTRG
7	AGND	AGND	7	AGND	AGND	7	COUT1
8	AI10	CH2L	8	AI11	CH3L	8	GATE
9	AI2	CH2H	9	AI3	CH3H	9	COUT0
10	AGND	AGND	10	AGND	AGND	10	GATE0
11	AI8	CH0L	11	AI9	CH1L	11	AGND
12	AI0	CH0H	12	AI1	CH1H	12	EXTVREF2
	S.E.	DIFF.		S.E.	DIFF.	13	DAOUT2
						14	EXTVREF1
						15	DAOUT1
						16	VREF

# 5

## 參考資訊

- ✓ DB-8325 產品網頁:

[http://www.icpdas.com/products/DAQ/screw\\_terminal/db\\_8325.htm](http://www.icpdas.com/products/DAQ/screw_terminal/db_8325.htm)

- ✓ DB-8225 產品網頁:

[http://www.icpdas.com/products/DAQ/screw\\_terminal/db\\_8225.htm](http://www.icpdas.com/products/DAQ/screw_terminal/db_8225.htm)

- ✓ 相關文件位置:

CD:\NAPDOS\Daughter\_Board

[http://ftp.icpdas.com/pub/cd/iocard/pci/napdos/daughter\\_board/](http://ftp.icpdas.com/pub/cd/iocard/pci/napdos/daughter_board/)

泓格科技(ICP DAS)主網頁

<http://www.icpdas.com>



- 專業技術支援
- 代理商及訂購資訊
- 增強設備功能的相關資訊
- 常見問題
- 應用案例

聯絡方式

[Service@icpdas.com](mailto:Service@icpdas.com)

Copyright ©2008 by ICP DAS Co., Ltd. All right are reserved