



# DAUGHTER BOARD USER'S GUIDE

for

**DN-SSR4**

Language  
Version  
Update

English  
V1.0  
Oct.2009

## 1

### Package

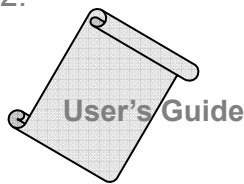
- One DN-SSR4 Daughter Board
- One User's Guide (This document)

1.



DN-SSR4

2.

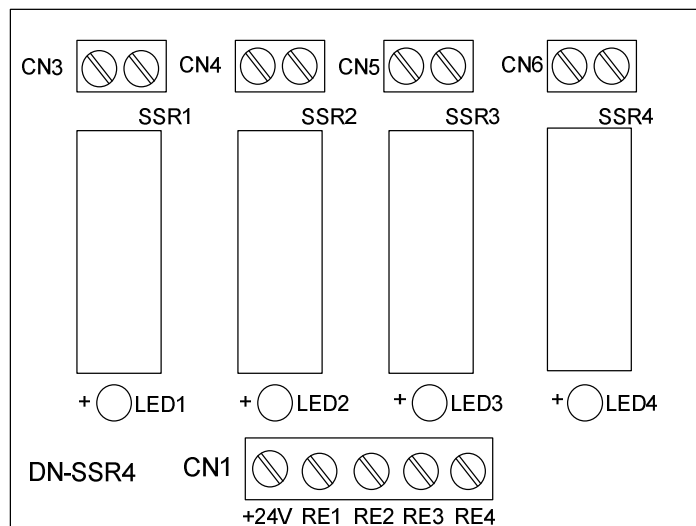


User's Guide

## 2

### Layout

- **DN-SSR4**

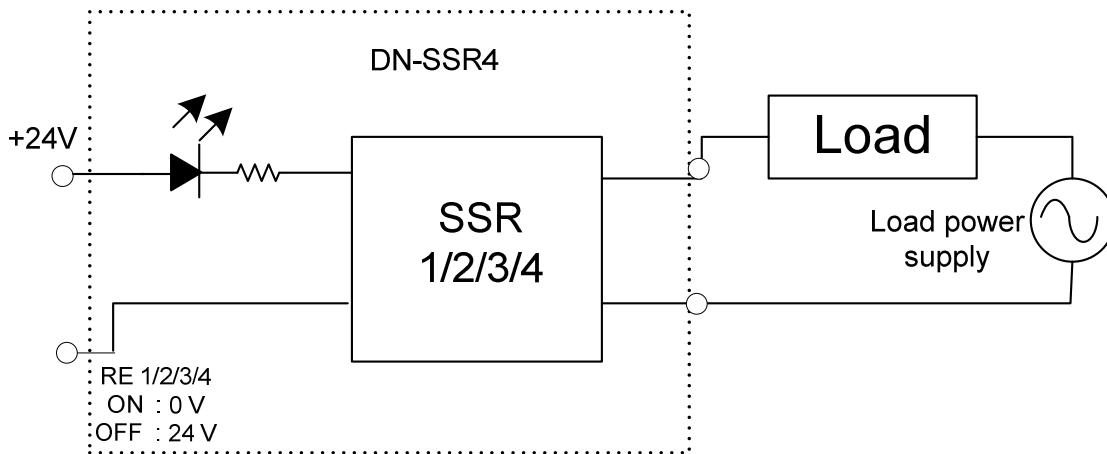


# 3

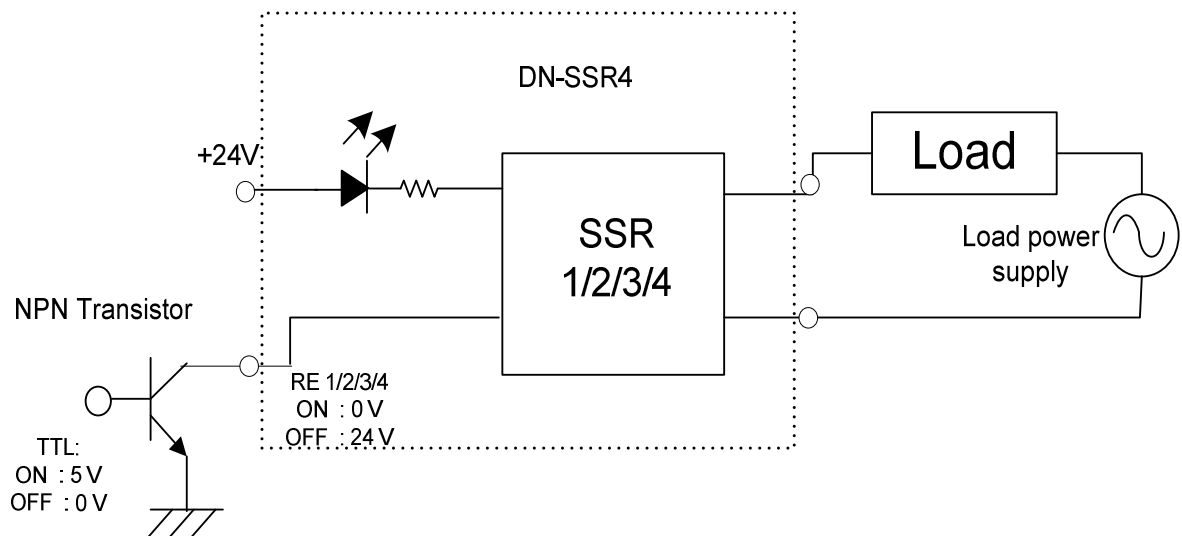
## Wiring Diagram

### ➤ DN-SSR4 (AC type)

#### Example 1:

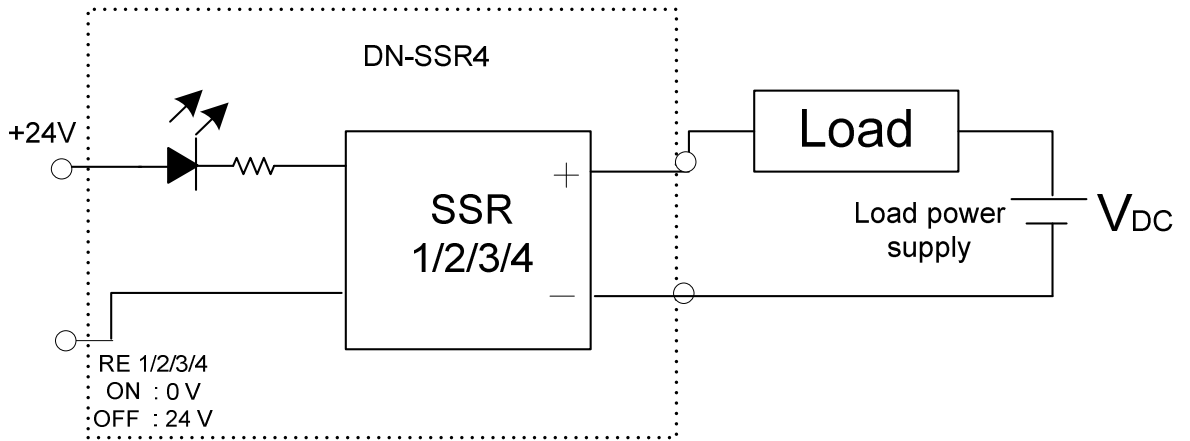


#### Example 2:

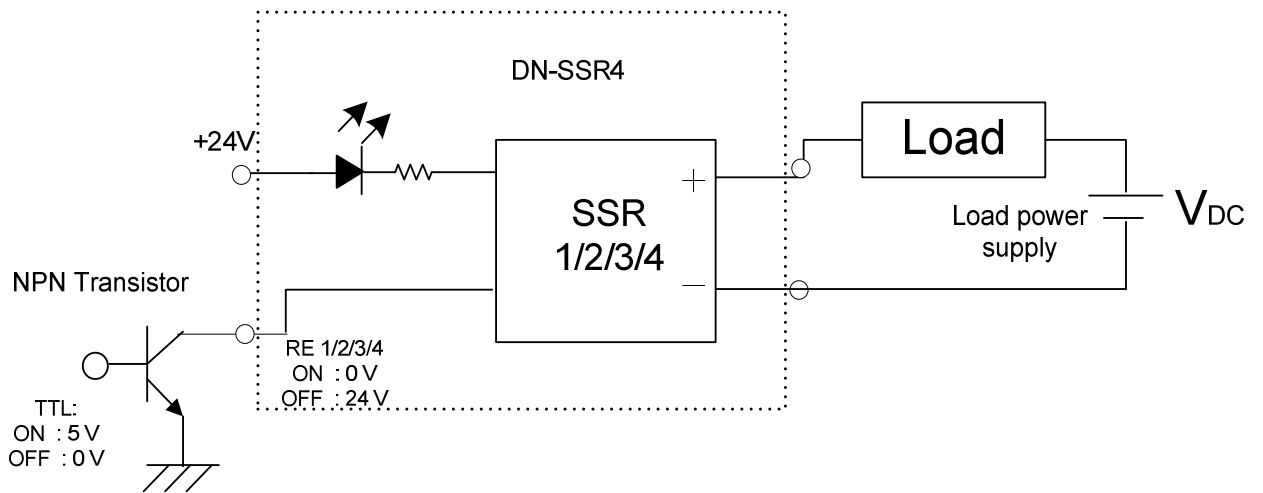


# ➤ DN-SSR4-DC

## Example 1:



## Example 2:



# 4

## Additional Information

✓ DN-SSR4 Product Page:

[http://www.icpdas.com/products/DAQ/screw\\_terminal/dn\\_ssr4.htm](http://www.icpdas.com/products/DAQ/screw_terminal/dn_ssr4.htm)

### The ICP DAS Web Site

<http://www.icpdas.com>



- Technical support
- Supplies and ordering information
- Information related to upgrades, new technologies, products and solutions
- FAQ
- Application examples

### Contact Us

[Service@icpdas.com](mailto:Service@icpdas.com)

Copyright ©2009 by ICP DAS Co., Ltd. All right are reserved



for

## DN-SSR4

語言  
版本  
更新日期

繁體中文  
V1.0  
Oct.2009

# 1

## 檢查配件

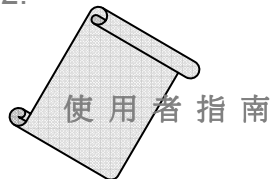
- 一張 DN-SSR4 端子板
- 一張使用者指南 (本文件)

1.



DN-SSR4

2.

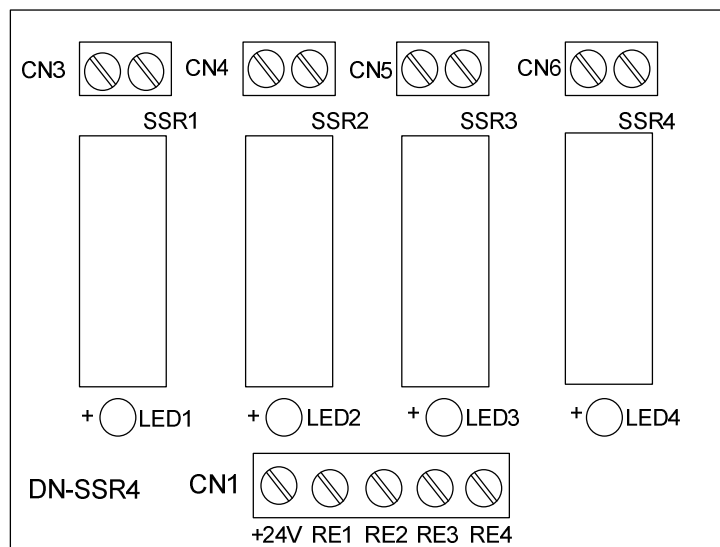


使用者指南

# 2

## 板卡配置圖

### ➤ DN-SSR4

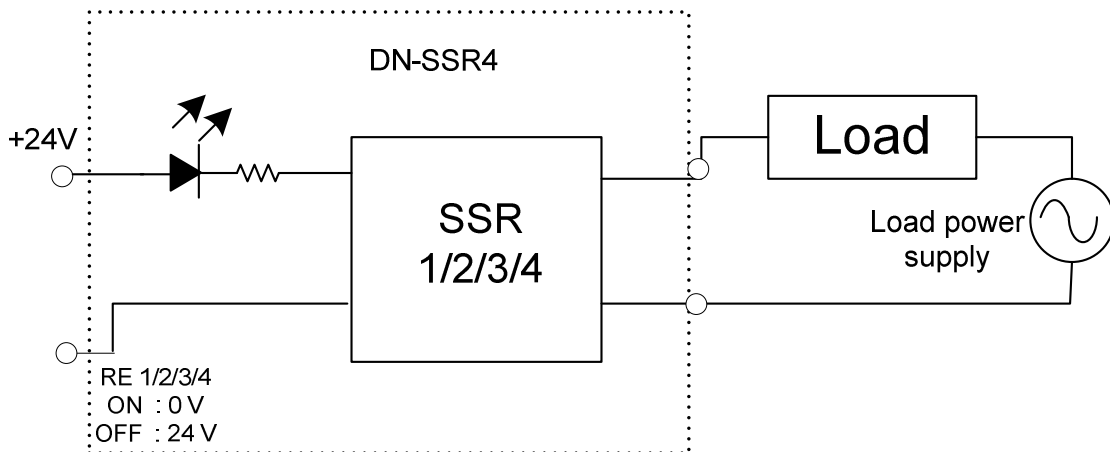


# 3

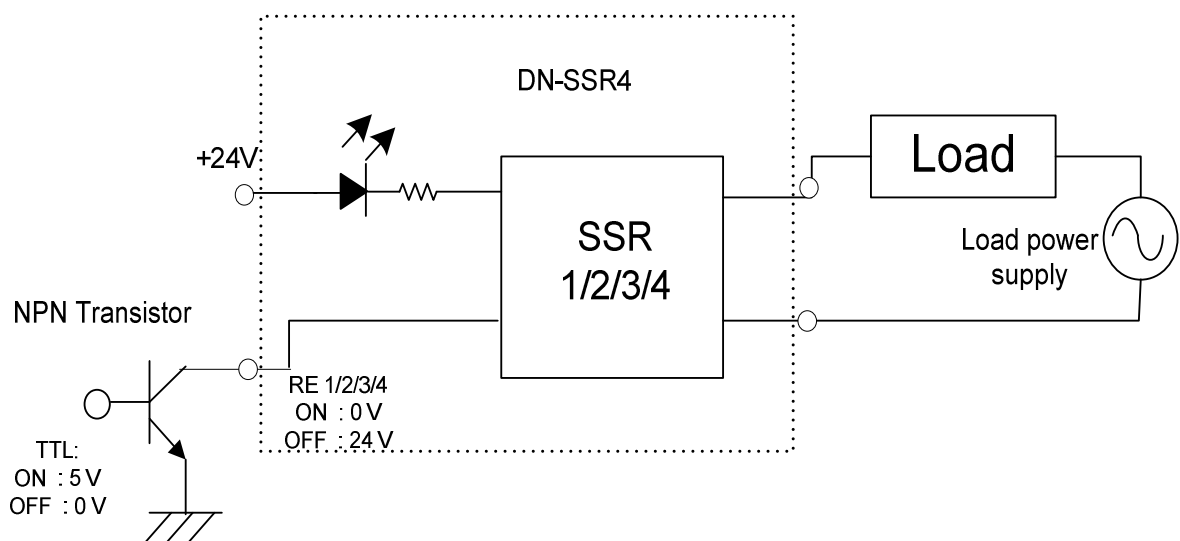
## 接線圖解

### ➤ DN-SSR4 (AC type)

#### 範例 1:

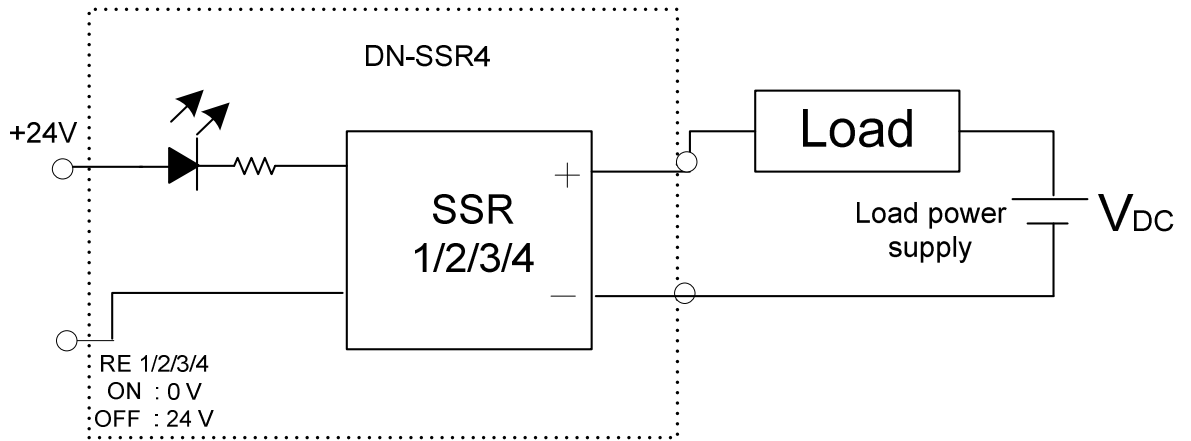


#### 範例 2:

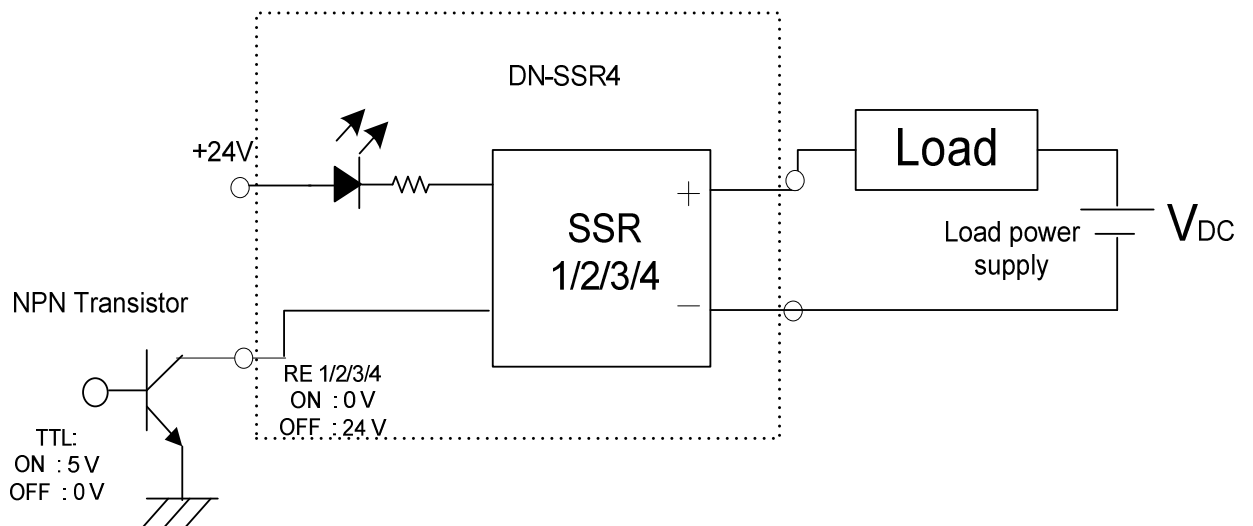


# ➤ DN-SSR4-DC

## 範例 1:



## 範例 2:



# 4

## 參考資訊

✓ DN-SSR4 產品網頁:

[http://www.icpdas.com/products/DAQ/screw\\_terminal/dn\\_ssr4.htm](http://www.icpdas.com/products/DAQ/screw_terminal/dn_ssr4.htm)

泓格科技(ICP DAS)主網頁

<http://www.icpdas.com>



- 專業技術支援
- 代理商及訂購資訊
- 新技術、產品及解決方案的相關資訊
- 常見問題
- 應用案例

聯絡方式

[Service@icpdas.com](mailto:Service@icpdas.com)

Copyright ©2009 by ICP DAS Co., Ltd. All right are reserved