



# Quick Start for ET-2261 Module

English / Jun. 2016 / Version 1.0

## 1

### What's in the Shipping Package?

The package includes the following items:

❶ ET-2261 Module



❷ Quick Start (This Document)



❸ Companion CD



## 2

### Installing the Software

The eSearch Utility can be obtained from either the companion CD-ROM or from the ICPDAS website, as indicated below:



CD:\NAPDOS\software\eSearch\Windows\





<http://ftp.icpdas.com/pub/cd/6000cd/napdos/software/esearch/windows/>

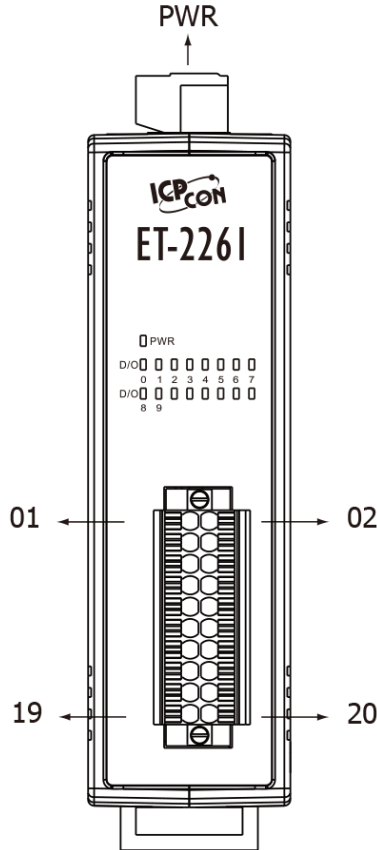
- ❶ Double-click the “**eSearch\_vxxx\_setup.exe**” file icon to execute the driver installation.
- ❷ Click the “**Next>**” button to start the installation.
- ❸ Select the destination location. The default path is **C:\ICPDAS\eSearch**. Verify that the destination path is correct and click the “**Next>**” button.
- ❹ Click the “**Next>**” button to continue.
- ❺ Click the “**Finish**” button to complete the installation.

# 3

## Pin Assignments and Wiring Notes


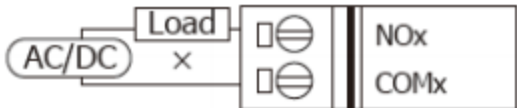
### ➤ Pin Assignments:

Terminal No.	Pin Assignment
PWR	F.G.
	GND
	+ Vs
ETH1	
ETH2	



Terminal No.	Pin Assignment	Pin Assignment	Terminal No.
01	NO0	NO5	02
03	COM0	COM5	04
05	NO1	NO6	06
07	COM1	COM6	08
09	NO2	NO7	10
11	COM2	COM7	12
13	NO3	NO8	14
15	COM3	COM8	16
17	NO4	NO9	18
19	COM4	COM9	20

### ➤ Wire Connections:

Model	Power Relay	ON State ( Readback as 1 )
ET-2261	Relay Output	
		OFF State ( Readback as 0 )
		

# 4

## Modbus Addresses

The nDO parameters in the following Modbus Address Tables are as follows:

Model Name	Universal DIO	Number of DO channels (nDO)	Number of DI channels(nDI)
ET-2261	-	10	-

➤ **(0xxxx) DO Address:**

Starting Address	Points	Description	Bits Per Point	Range	Access Type
<b>0 (0x0)</b>	1 ~ nDO	Digital Output Channels	1	0: OFF 1: ON	R/W
<b>100 (0x64)</b>	1 ~ nDO	Enables the PWM for all DO Channels	1	0 = Off 1 = On (Default= 0)	R/W
<b>127 (0x7F)</b>	1	Restores all default web settings	1	1 = Restore	W
<b>128 (0x80)</b>	1	Default ID Settings	1	1 = Restore	W
<b>133 (0x85)</b>	1	Reboots the ET-2200 module	1	1 = Restore	W
⋮	⋮	⋮	⋮	⋮	⋮
⋮	⋮	⋮	⋮	⋮	⋮
⋮	⋮	⋮	⋮	⋮	⋮
⋮	⋮	⋮	⋮	⋮	⋮
<b>235 (0xEB)</b>	1 ~ nDO	Sets the Power-on value for all DO Channels	1	0: OFF 1: ON (Default: 0)	R/W/F
<b>267 (0x10B)</b>	1 ~ nDO	Sets the Safe value for all DO Channels	1	0: OFF 1: ON (Default: 0)	R/W/F

“R”: Read; “W”: Write; “F”: Settings are recorded in flash memory by default



For detailed information related to DO Modbus Addresses, refer to Section 6.3 "Modbus Register Table" in the ET-2200 User Manual, which can be found at:

CD:\NAPDOS\ET2200\document\

<http://ftp.icpdas.com/pub/cd/6000cd/napdos/et2200/document/>

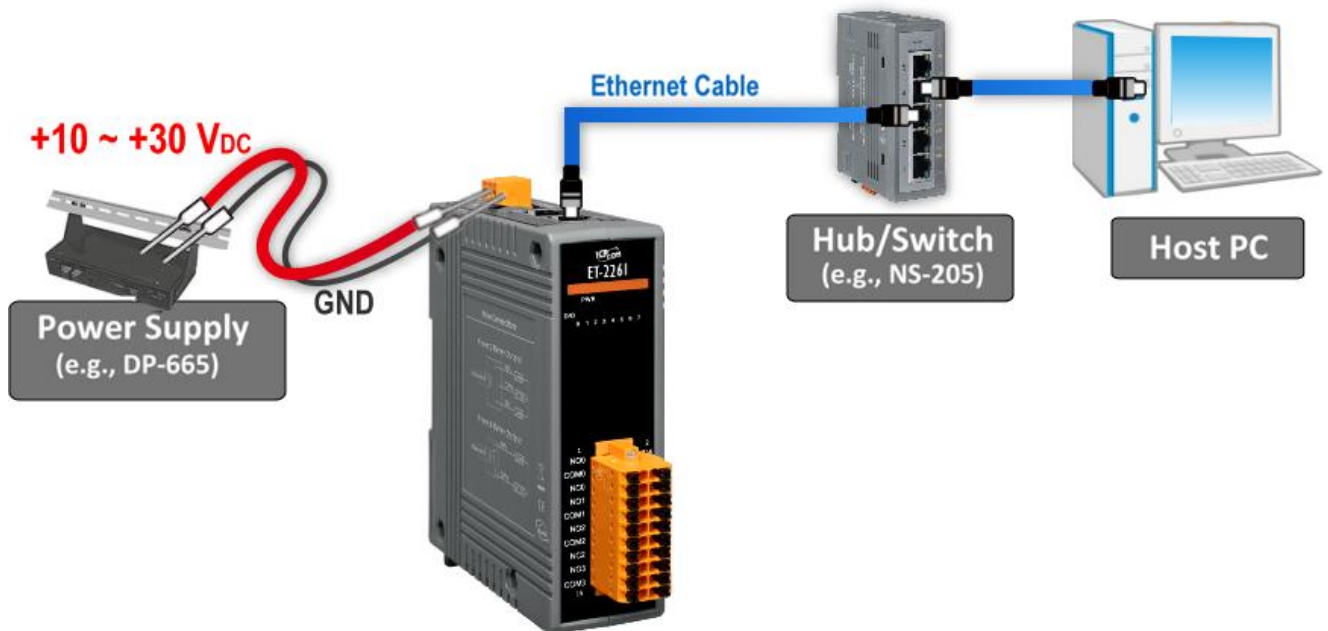
# 5

## Connecting the Power and the Host PC

❶ Ensure that the network settings on the Host PC have been correctly configured and are functioning normally. Ensure that the Windows firewall or any Anti-Virus firewall is properly configured to allow incoming connections, or temporarily disable these functions, otherwise the “Search Servers” function in the eSearch Utility described in **Section 7** may not perform as expected. Contact the System Administrator for instructions of how to do this.

❷ Connect both the ET-2261 module and the Host PC to the same sub network or the same Ethernet Switch.

❸ Apply power to the ET-2261 module. The valid power voltage range is from **+10 to +30 V<sub>DC</sub>**.



❹ Verify that the “PWR” LED indicator on the ET-2261 module is flashing.

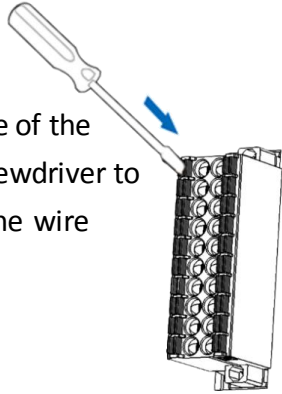
# 6

## Wiring the DO for Self-Test



A tip for connecting the wire to the connector (Note: For detailed information about the insulated terminals dimensions, refer to Section 2.5 of the ET-2200 series user manual.)

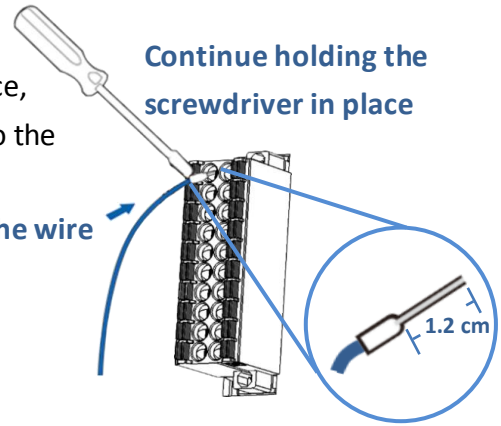
1. Use the blade of the flat-head screwdriver to push down the wire clamp.



2. While holding the screwdriver in place, insert the wire into the terminal block.

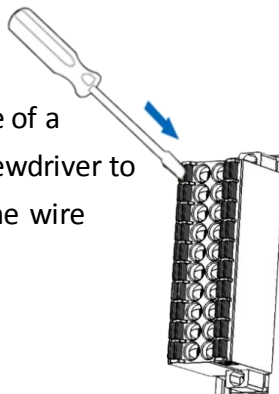
Insert the wire

Continue holding the screwdriver in place



A tip for removing the wire from the connector

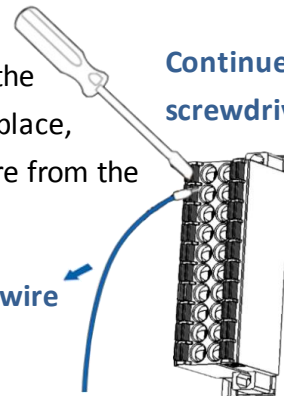
1. Use the blade of a flat-head screwdriver to push down the wire clamp.



2. While holding the screwdriver in place, remove the wire from the terminal block.

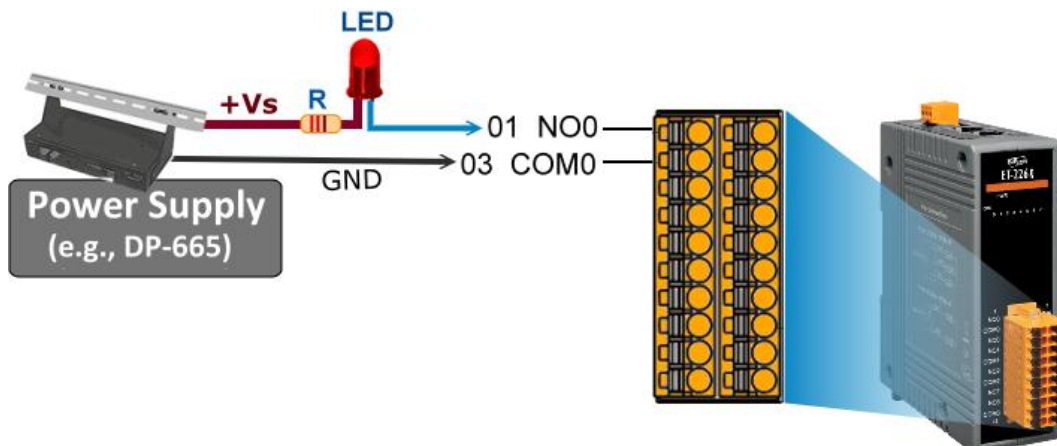
Remove the wire

Continue holding the screwdriver in place



❶ Use output LED to connect the External Power +24V and NO0 pin (Pin01).

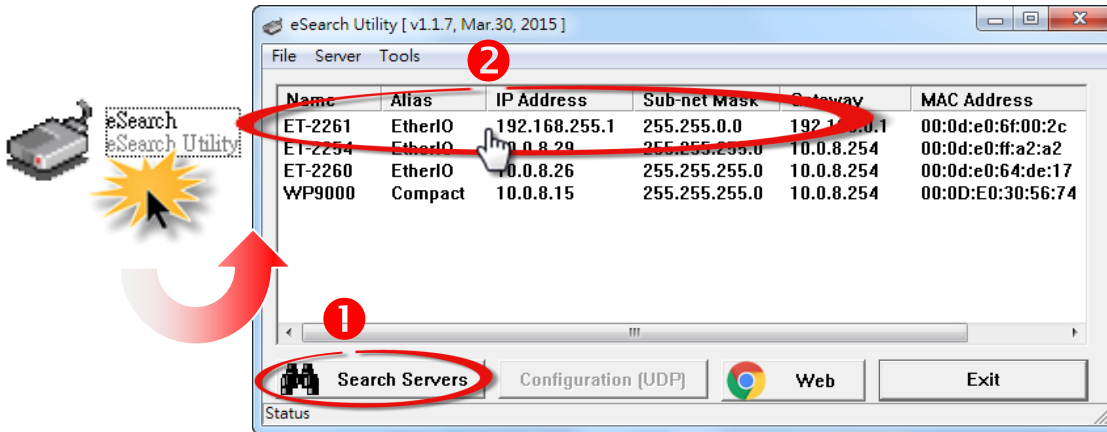
❷ Connect the External Power GND to the COM0 pin (Pin03).



# 7

## Configuring the Correct Network Settings

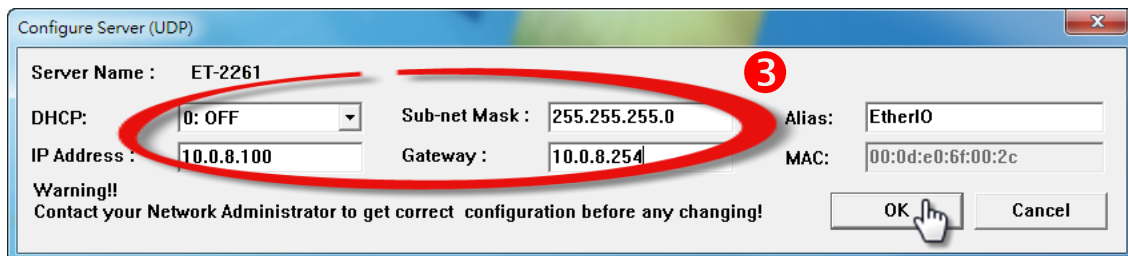
- 1 Execute the eSearch Utility and click the “Search Servers” button to search for the ET-2261 module.
- 2 Once the search process is complete, double-click the name of the ET-2261 module to open the “Configure Server (UDP)” dialog box.



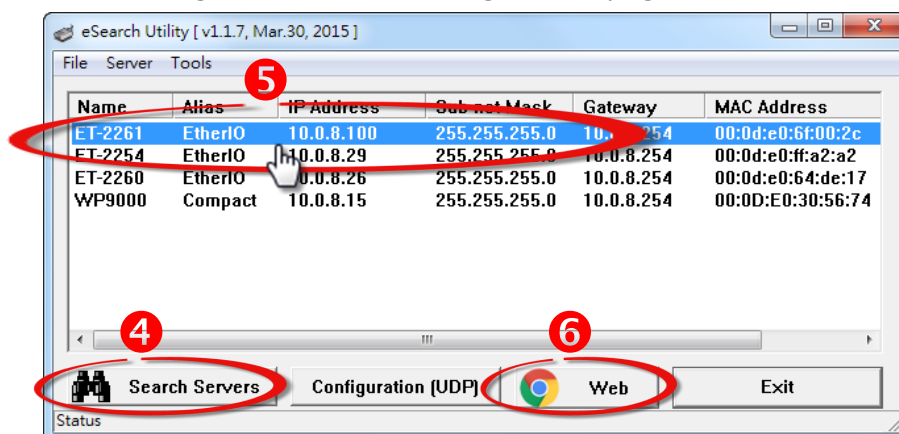
Factory Default Settings for the ET-2261 Series:

<b>IP</b>	192.168.255.1
<b>Gateway</b>	192.168.0.1
<b>Mask</b>	255.255.0.0

- 3 Enter the relevant values for the IP Address, Subnet Mask and Gateway, etc., and then click the “OK” button. The new settings for the ET-2261 module will take effect within 2 seconds. If the correct network configuration information is unknown, contact the Network Administrator to obtain the relevant details.



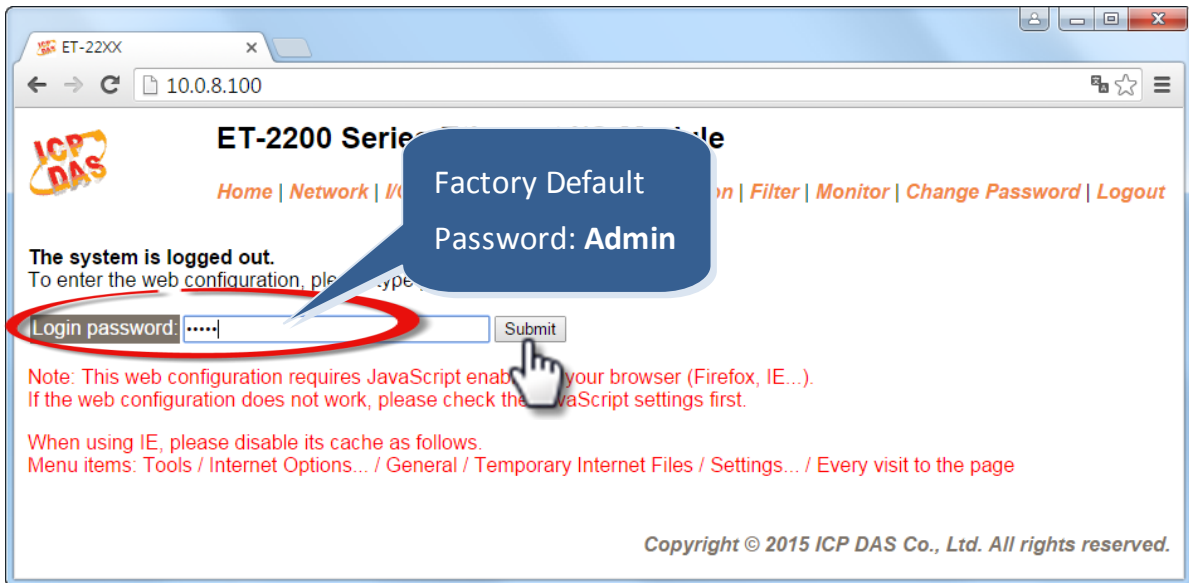
- 4 Wait for 2 seconds and then click the “Search Servers” button again to ensure that the ET-2261 module is operating correctly using the new configuration.
- 5 Click the name of the ET-2261 module to select it.
- 6 Click the “Web” button to log in to the web configuration pages.



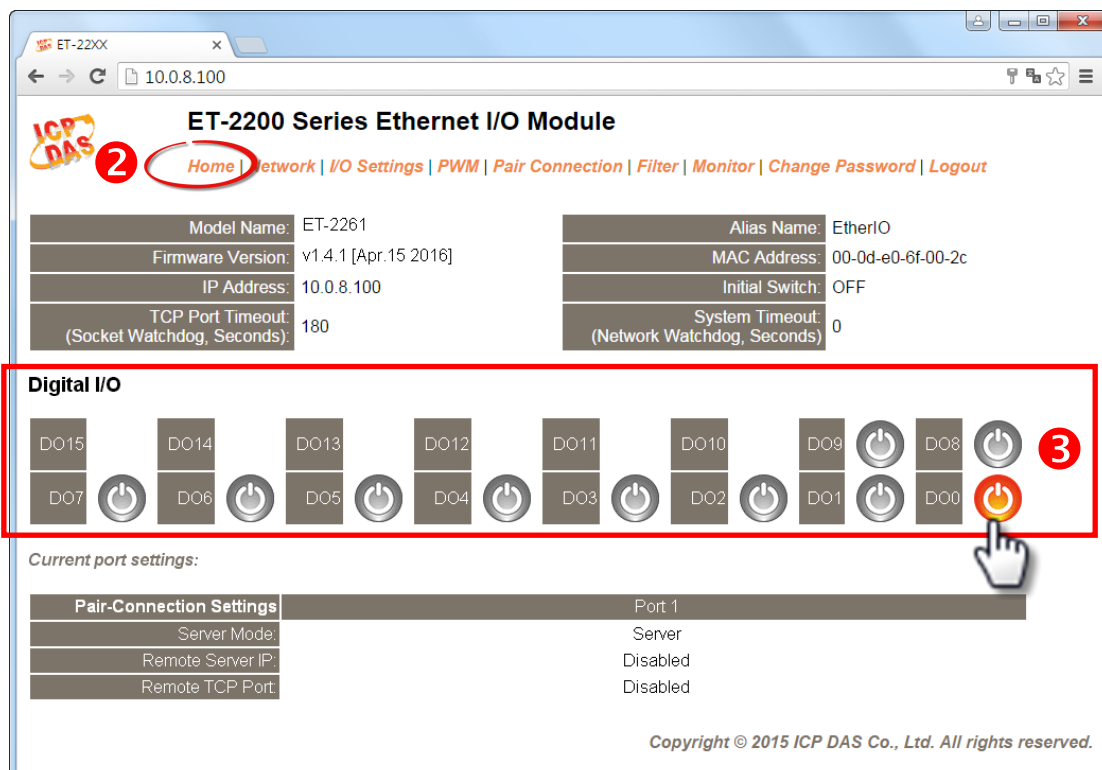
# 8

## Performing the Self-Test

- 1 Once the login screen is displayed, enter the password in the login password field (use the default password is “Admin”), and then click the “Submit” button to enter the configuration web page.



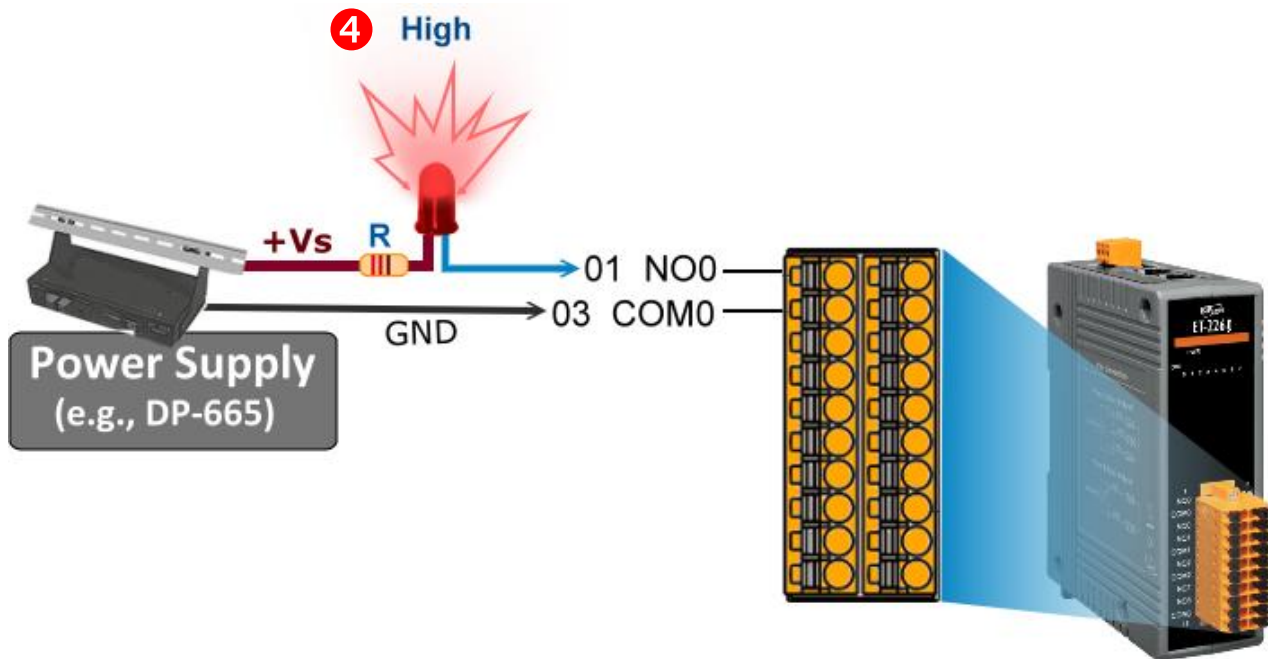
- 2 Click the “Home” tab to access the DO settings page for the ET-2261 module. This page allows a simple test to be performed to verify the Digital Output functionality.
- 3 In the “Digital I/O” section, click the “DO0” button to set DO0 to ON.



# 9

## Verifying the Test

- 4 Verify that the **DO0** of output LED status for “high”.



### Related Information

- ET-2261 Product Page:  
[http://www.icpdas.com/root/product/solutions/remote\\_io/ethernet\\_io/petl-7000\\_tpet\\_tet/et-2261.html](http://www.icpdas.com/root/product/solutions/remote_io/ethernet_io/petl-7000_tpet_tet/et-2261.html)
- Documentation:  
CD:\Napdos\ET2200\Document  
<http://ftp.icpdas.com/pub/cd/6000cd/napdos/et2200/document/>
- Firmware:  
CD:\Napdos\ET2200\Firmware  
<http://ftp.icpdas.com/pub/cd/6000cd/napdos/et2200/firmware/>
- NS-205 and DP-665 Product Page (Optional):  
[http://www.icpdas.com/root/product/solutions/industrial\\_ethernet\\_switch/ns-205.html](http://www.icpdas.com/root/product/solutions/industrial_ethernet_switch/ns-205.html)  
[http://www.icpdas.com/products/Accessories/power\\_supply/dp-665.htm](http://www.icpdas.com/products/Accessories/power_supply/dp-665.htm)