



G-4513-3GWA Series

Quick Start

1 Product Check List

The package includes the following items :

- One G-4513-3GWA hardware module
- One Quick Start (this manual)
- One companion CD
- One RS-232 download cable (CA-0910)
- One 2G/3G antenna
- One GPS antenna (only for G-4513P-3GWA, G-4513PD-3GWA)
- Screw Driver
- Two mounting screws
- Two L-type wall mount flat pieces

2 Related Documents and Software Utilities

2.1 Documents

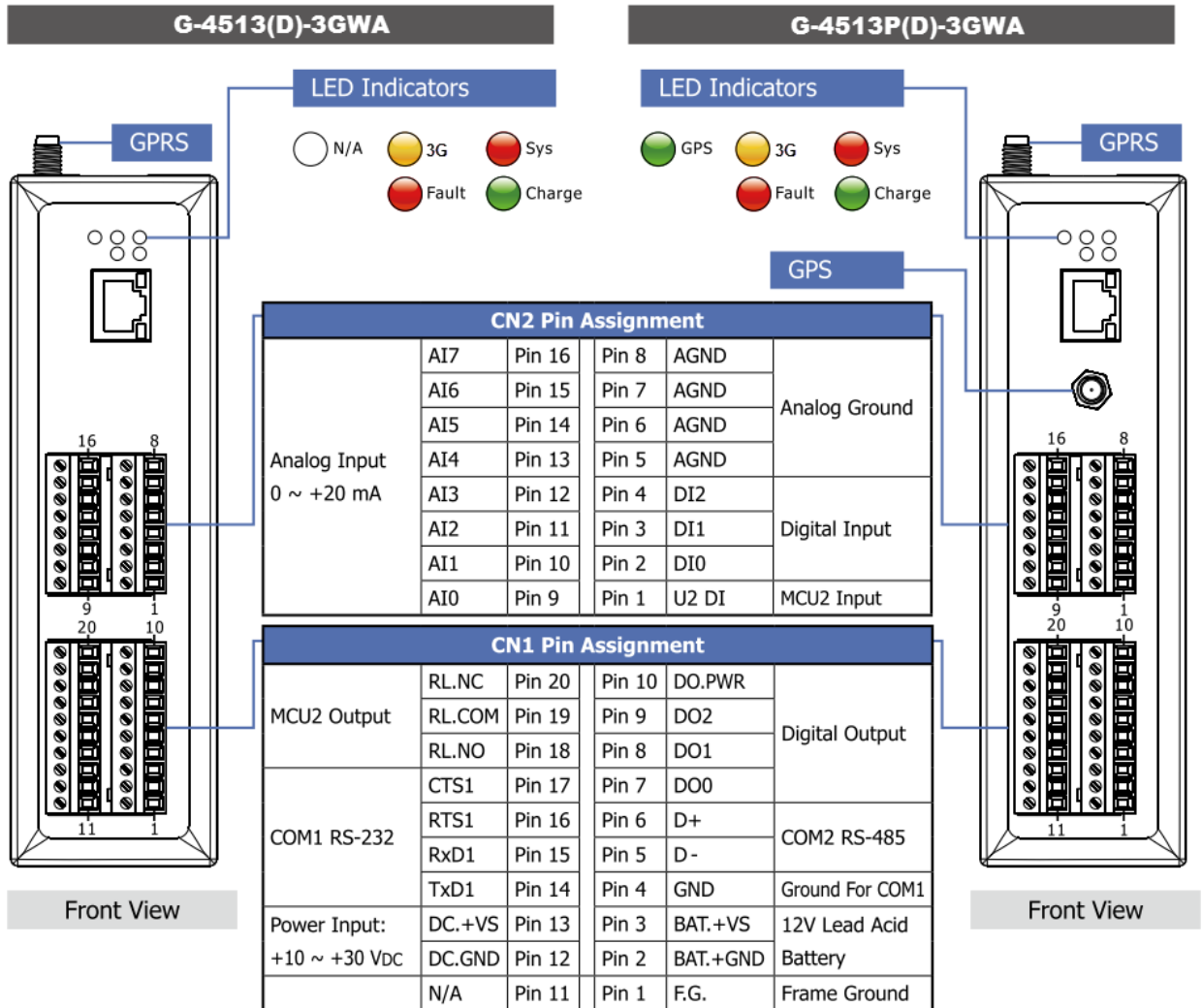
- User Manual : G-4513-3GWA_User's Manual.pdf
- Quick Start : G-4513-3GWA_QuickStart.pdf
- CD: \napdos\G-4513-3GWA>manual
- <http://ftp.icpdas.com/pub/cd/usbcd/napdos/G-4513-3GWA/manual>

2.2 MiniOS7 Utility

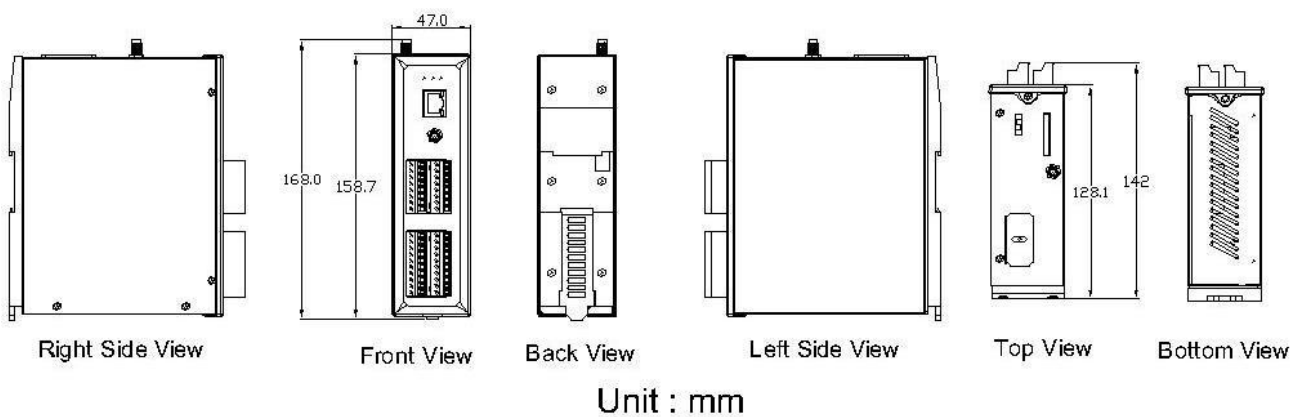
- http://ftp.icpdas.com/pub/cd/8000cd/napdos/minios7/utility/minios7_utility/

3 Hardware Installation

3.1 Pin Assignments

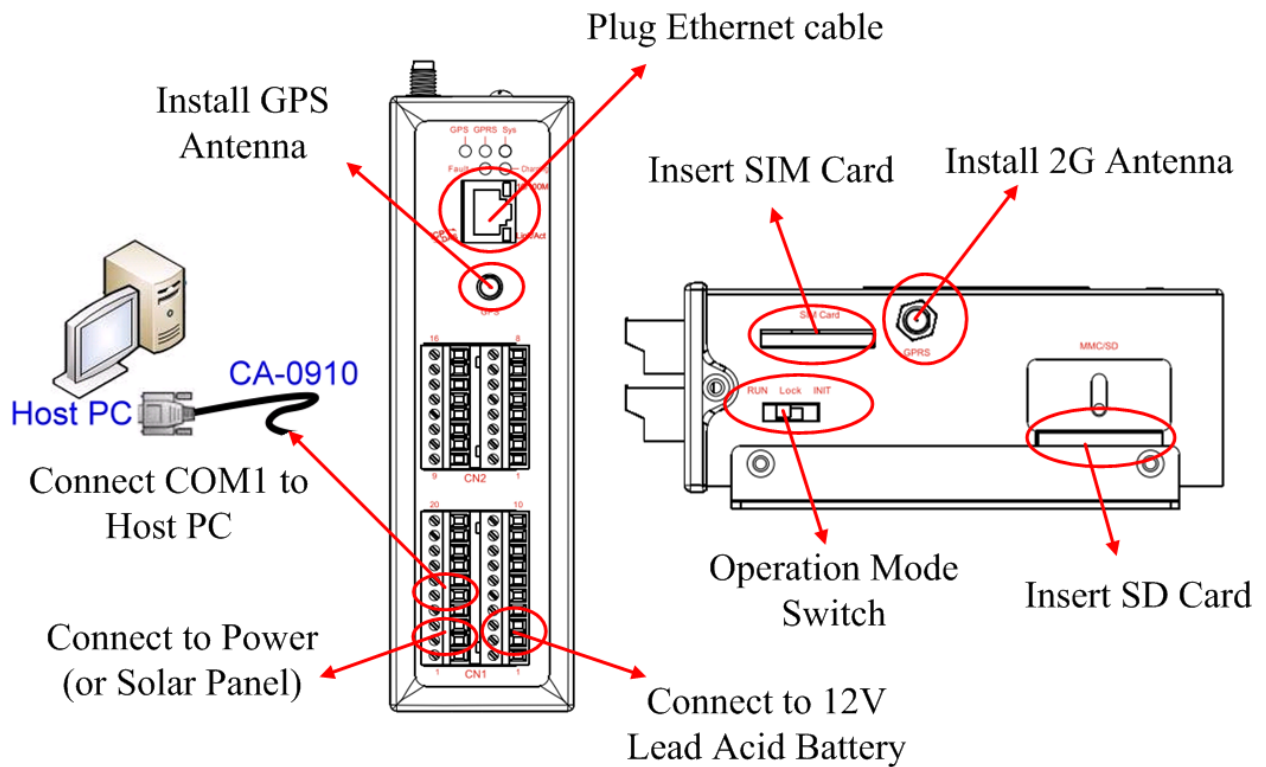


3.2 Dimensions

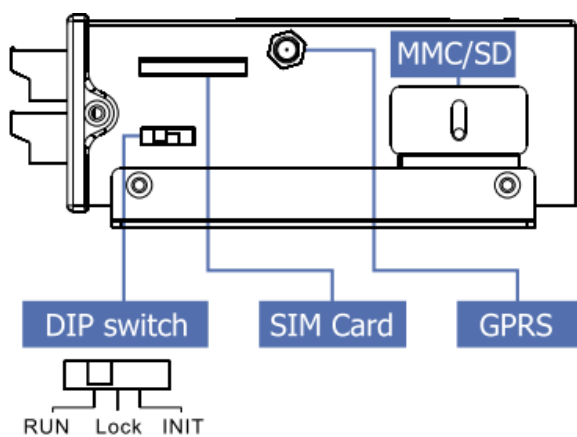


3.3 Installation

- A. Install 2G/3G antenna.
- B. Plug in the normal SIM card (Before apply the SIM card, confirm it is OK by mobile phone.)
- C. Connect the DC.+VS and DC.GND to the power supply or Solar Panel.
- D. Connect BAT.+VS and BAT.GND to the 12V Lead Acid Battery.



3.4 Operation Mode Switch



Operation Mode Switch	
RUN	OS can execute autoexec.bat
	Flash can be read/write.
LRun	OS can execute autoexec.bat
	Flash is read only (lock).
INIT	OS can not execute autoexec.bat
	Flash can be read/write.

3.5 Wire Connection

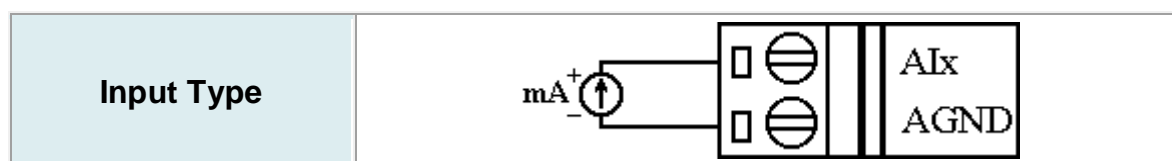
- Digital Input Wire Connection

Input Type	ON State DI value as 0	OFF State DI value as 1
Relay Contact		
TTL/CMOS Logic		
Open Collector		

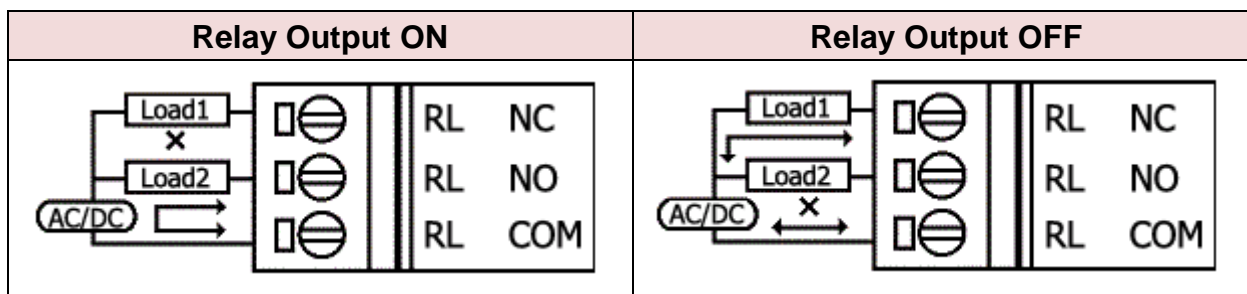
- Digital Output Wire Connection

Input Type	ON State DO value as 1	OFF State DO value as 0
Drive Relay		
Resistance Load		

- Current Input Wire Connection

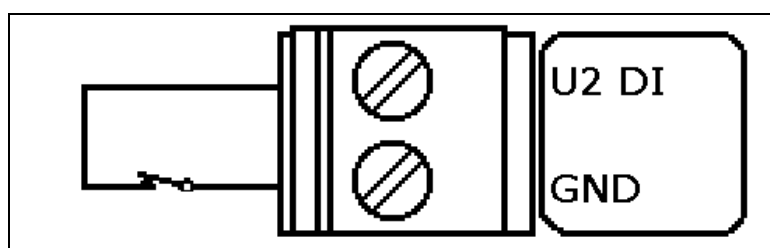


- Relay Wire Connection



3.6 Wake up from Sleep mode

- When G-4513 was in sleep mode, you can connect the Pin “U2 DI” (MCU2 DI) to GND. to awaking G-4513 from sleep mode.
- You will read “U2 DI” as 0, when you connect “U2 DI” to GND.



4 MiniOS7 Utility

4.1 Install MiniOS7 Utility

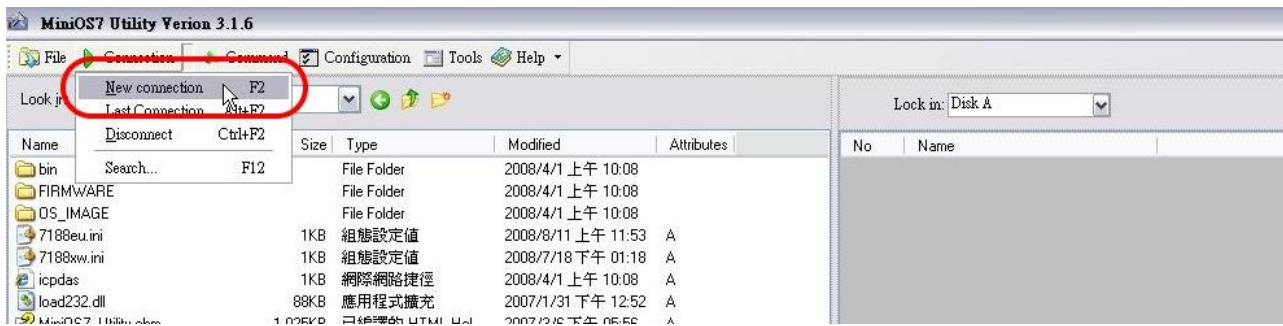
The installation software can be obtained from :

http://ftp.icpdas.com/pub/cd/8000cd/napdos/minios7/utility/minios7_utility/

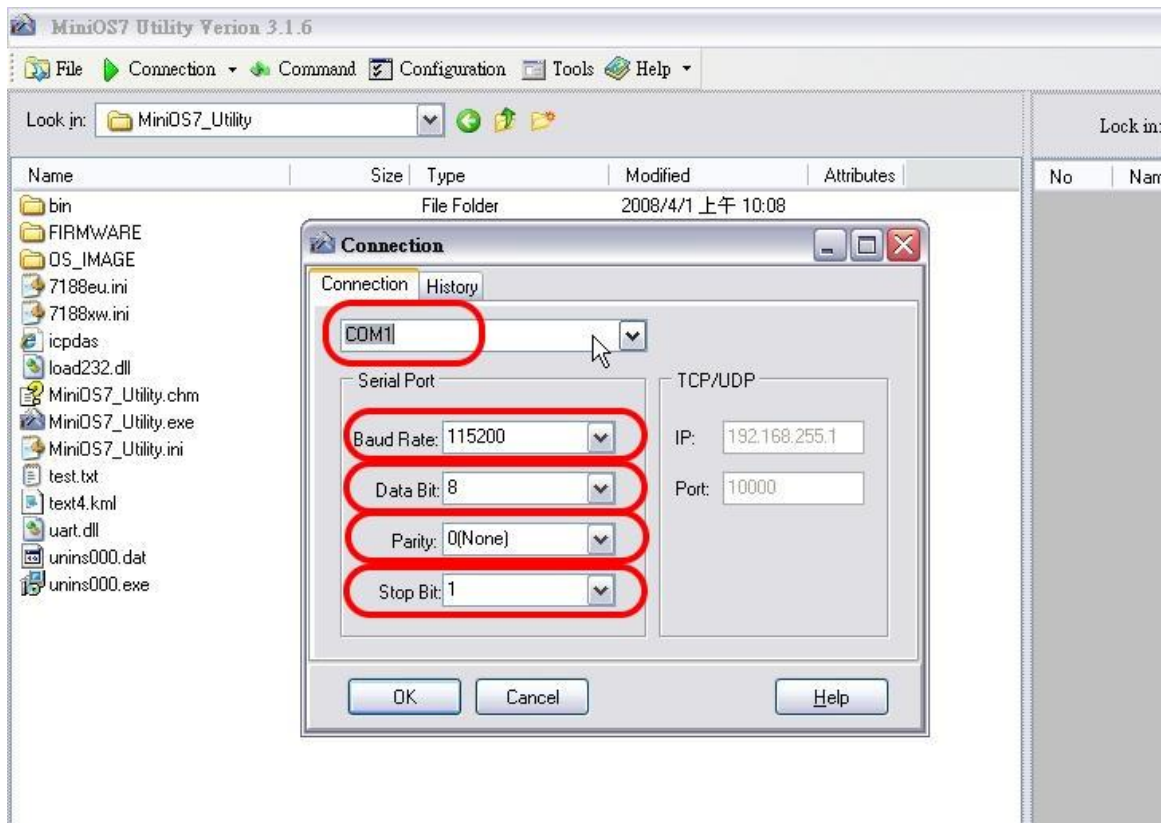
4.2 Launch MiniOS7 Utility



4.3 Select connect G-4513 to Host PC



4.4 Setup the COM Port parameter



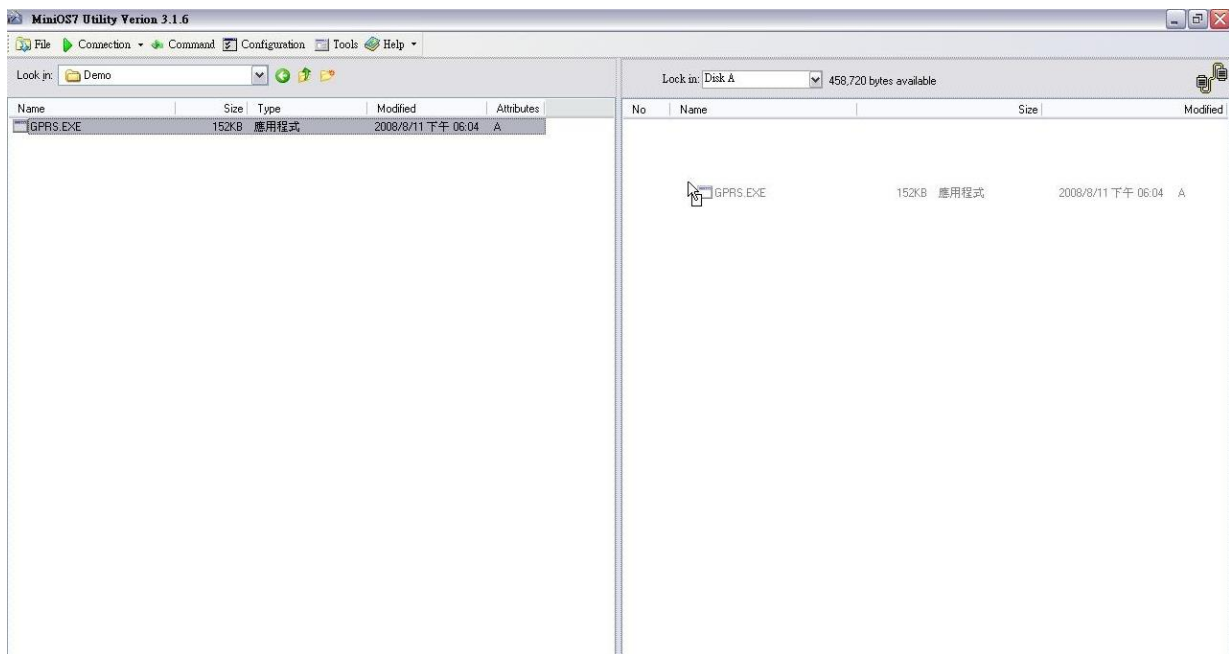
Tips & Warnings



G-4513 default COM Port parameter 115200, 8, N, 1

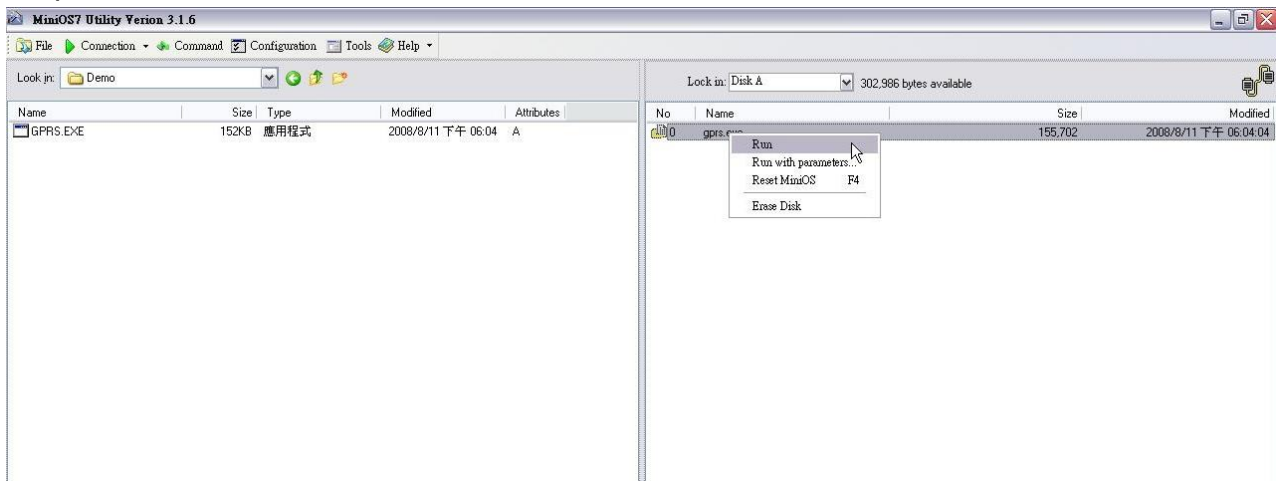
4.5 Download Demo into the G-4513

- A. You can be obtained from the following location :
CD: \napdos\G-4513\Software\Demo
Http://ftp.icpdas.com/pub/cd/usbcd/napdos/G-4513/software/demo
- B. Click the "Look in" pull-down menu to the location of Demo.
- C. Drag-and-drop the files from left hand window to right hand window.



4.6 RUN the Demo

Step 1 : Click "Run".



Step 2 : Key in the command, "run", to implement the execution file.

```
7188x for WIN32 version 1.32 (2006/10/17)[By ICPDAS. Tim Tsai.]
[Begin Key Thread...]
Current set: Use COM1 115200,N,8,1
AutoRun:
Autodownload files: None
Current work directory="D:\Demo"
original baudrate = 115200!
now baudrate = 115200!

uP-4500>
uP-4500>run
```

5 Technical Support

If you have problems about using the G-4513-3GWA series, please contact ICP DAS product support.

Email : Service@icpdas.com

G-4513-3GWA website : <http://m2m.icpdas.com/g-4513-3gwa.html>