

# I-8000 Series Quick Start Guide for I-8430/I-8830/I-8KE4/I-8KE8

November 2010, Version 1.0.1

## Congratulations!

Congratulations on purchasing I-8000 - the most popular automation solution for remote monitoring and control application. This Quick Start Guide will provide information needed to get started with I-8000. Please also consult the User Manual for detailed information on the setup and use of I-8000.

## What's In the Box?

In addition to this guide, the package includes the following items:



**I-8000 Module  
(I-8430/I-8830-  
/I-8KE4/I-8KE8)**



**Software Utility CD**



**RS-232 Cable  
(CA-0915)**



**Screw Driver  
(1C016)**

## Technical Support

- **I-8430/I-8830/I-8KE4/I-8KE8 User Manual**

CD:\NAPDOS\DCON\8430\_8830\Documents

[http://ftp.icpdas.com/pub/cd/8000cd/napdos/dcon/8430\\_8830/documents/](http://ftp.icpdas.com/pub/cd/8000cd/napdos/dcon/8430_8830/documents/)

- **I-8430/I-8830/I-8KE4/I-8KE8 Website**

I-8430/I-8830: <http://www.icpdas.com/products/PAC/i-8000/i-8430-i-8830.htm>

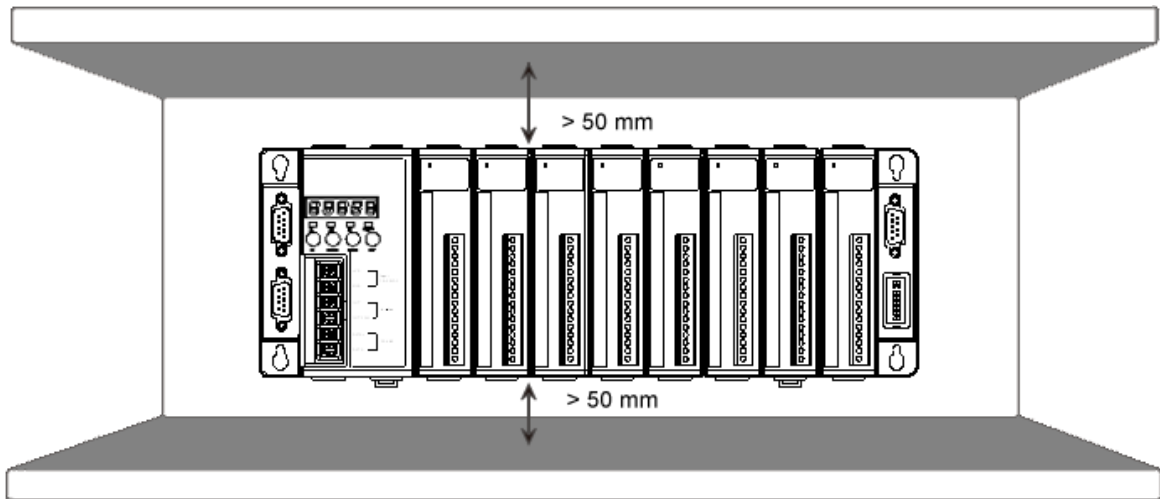
I-8KE4/I-8KE8: [http://www.icpdas.com/products/PAC/i-8000/i-8KE4\\_8KE8.htm](http://www.icpdas.com/products/PAC/i-8000/i-8KE4_8KE8.htm)

- **ICP DAS Website**

<http://www.icpdas.com/>

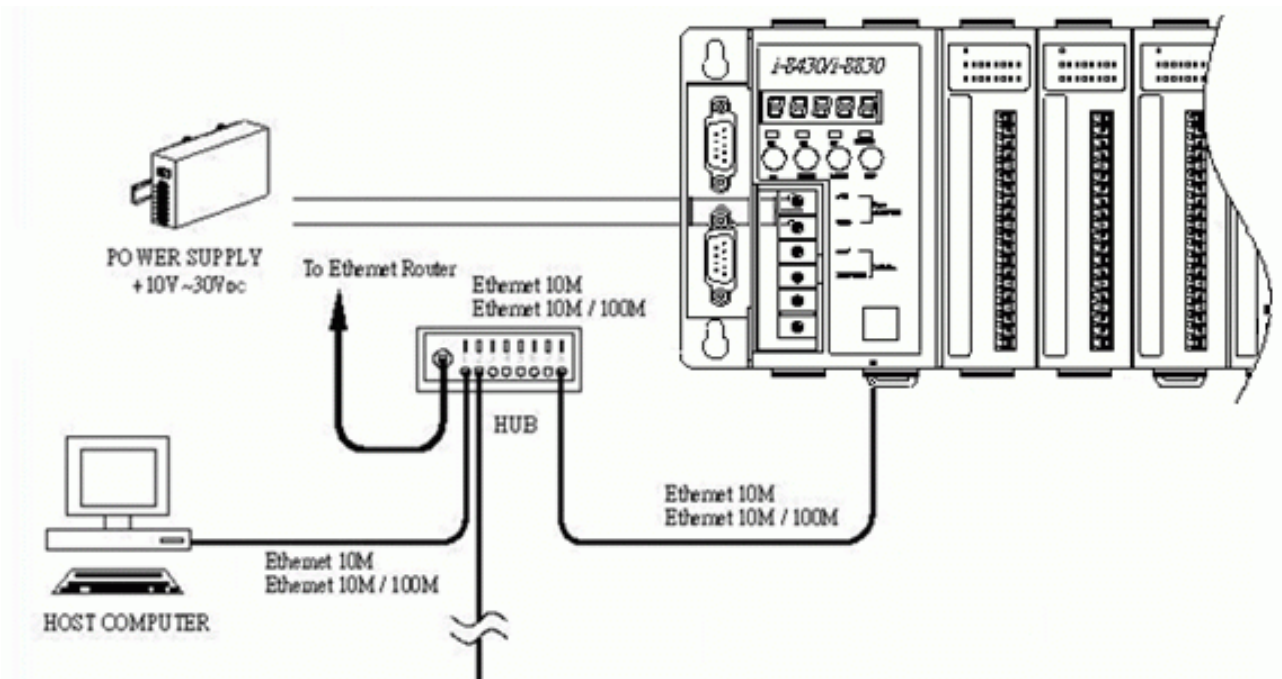
# 1 Mounting the Hardware

The I-8000 installation must provide proper ventilation, spacing, and grounding to ensure the equipment will operate as specified. A minimum clearance of 50mm between the I-8000 and the top and bottom side of the enclosure panels must be provided.



# 2 Connecting to PC, Network and Power

The I-8000 is equipped with RJ-45 Ethernet ports for connection to an Ethernet hub/switch and PC. You can also link directly the I-8000 to PC with an Ethernet cable.



# 3 Installing the Tools and Utilities

## Step 1: Install the MiniOS7 Utility tool



The MiniOS7 Utility can be obtained from companion CD or our FTP site:  
CD:\Napdos\minios7\utility\minios7\_utility\  
[ftp://ftp.icpdas.com/pub/cd/8000cd/napdos/minios7/utility/minios7\\_utility/](ftp://ftp.icpdas.com/pub/cd/8000cd/napdos/minios7/utility/minios7_utility/)

## Step 2: Install the VxComm Utility tool



The VxComm Utility can be obtained from companion CD or our FTP site:  
CD:\NAPDOS\Driver\VxComm\_Driver\  
[ftp://ftp.icpdas.com/pub/cd/8000cd/napdos/driver/vxcomm\\_driver/](ftp://ftp.icpdas.com/pub/cd/8000cd/napdos/driver/vxcomm_driver/)

## Step 3: Install the DCON Utility tool



The DCON Utility can be obtained from companion CD or our FTP site:  
CD:\NAPDOS\Driver\DCON\_Utility\  
[ftp://ftp.icpdas.com/pub/cd/8000cd/napdos/driver/dcon\\_utility/](ftp://ftp.icpdas.com/pub/cd/8000cd/napdos/driver/dcon_utility/)

# 4 Using MiniOS7 Utility to Assign a New IP

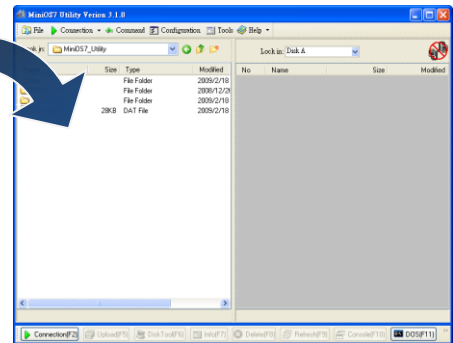
The I-8000 are Ethernet devices, which comes with a default IP address, therefore, you must first assign a new IP address to the I-8000.

The factory default IP settings are as follows:

Item	Default
IP Address	192.168.255.1
Subnet Mask	255.255.0.0
Gateway	192.168.0.1

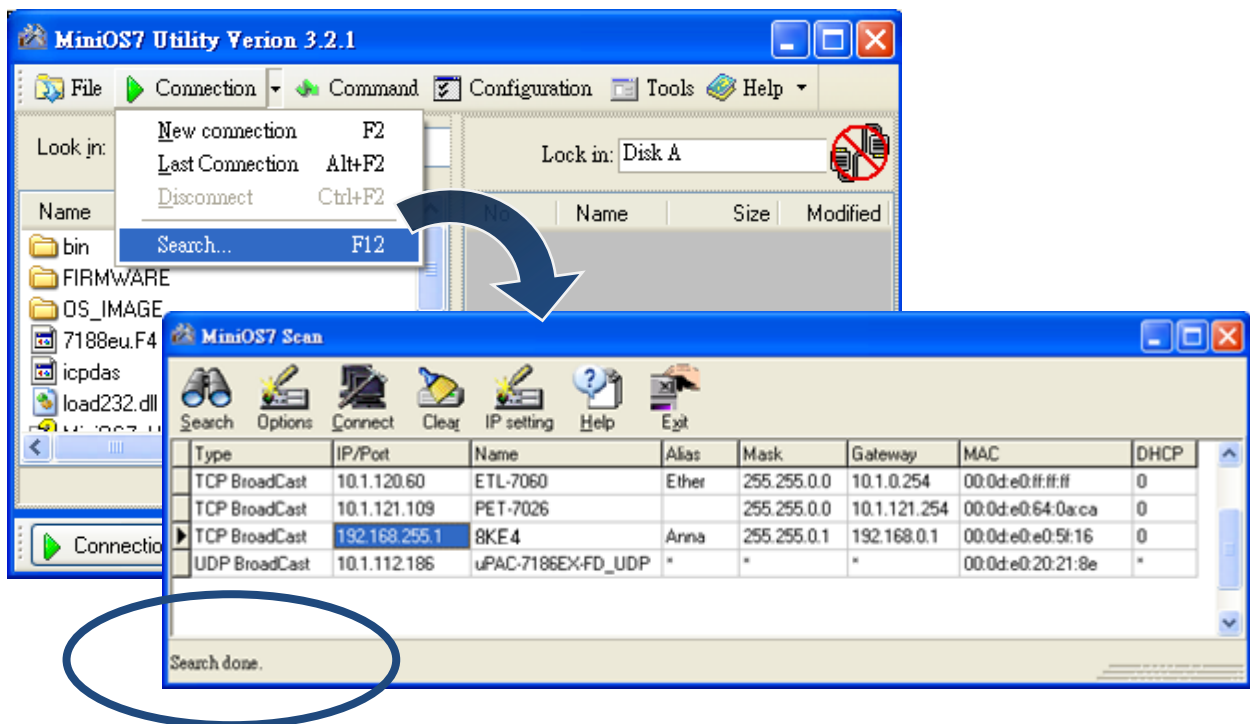
## Step 1: Run the MiniOS7 Utility

Double-click the MiniOS7 Utility shortcut on your desktop.



## Step 2: Press "F12" or choose "Search" from the "Connection" menu

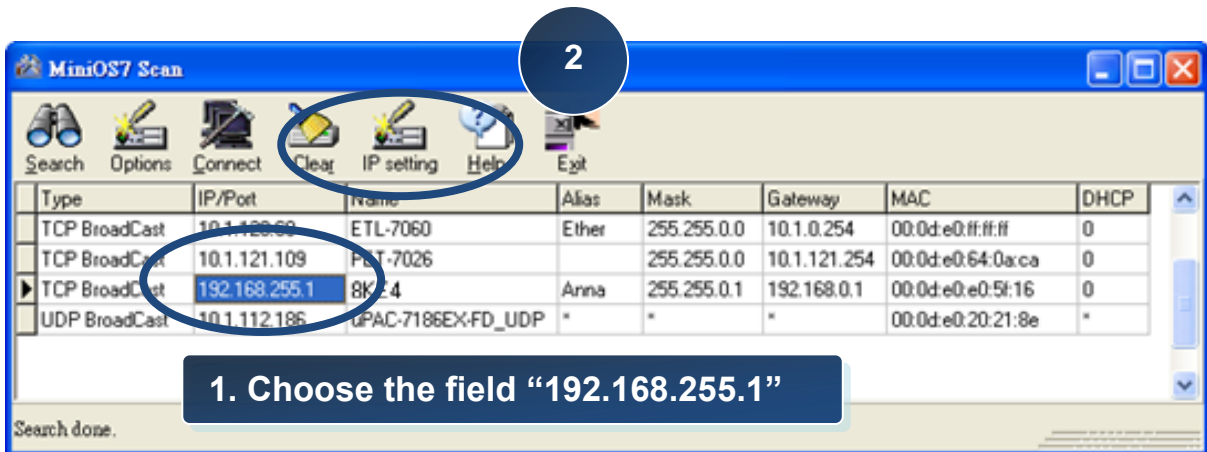
After pressing F12 or choosing Search from Connection menu, the MiniOS7 Scan dialog will appear, that will display a list of all the MiniOS7 modules on your network.



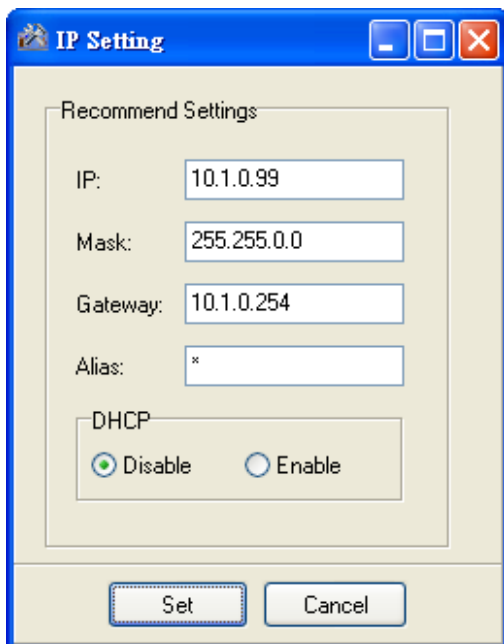
See the status tip, waiting for the search to be done.

**Step 3: Choose the module name and then choose “IP setting” from the toolbar**

Choose the module name for fields in the list, and then choose IP setting from the toolbar.

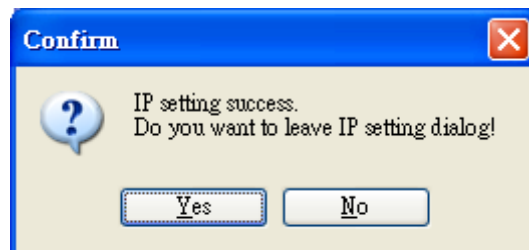


**Step 4: Assign a new IP address and then choose “Set” button**



**Step 5: Choose “Yes” button**

After completing the settings, press the Yes button in the Confirm dialog box to exit the procedure.

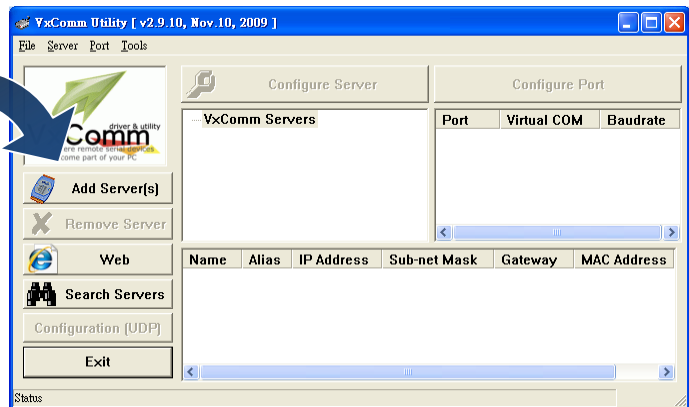


# 5 Using VxComm Utility to Create Virtual COM Ports

You can join Ethernet ports into one virtual COM port in order to let one application receive data from your I-8000.

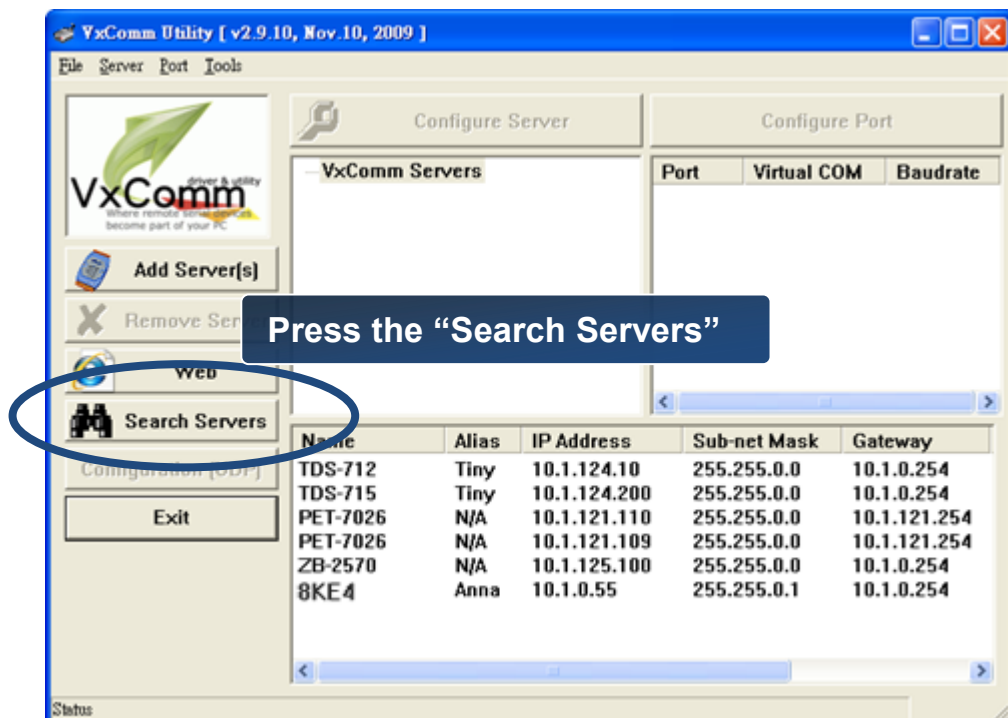
## Step 1: Run the VxComm Utility

Double-click the VxComm Utility shortcut on your desktop.



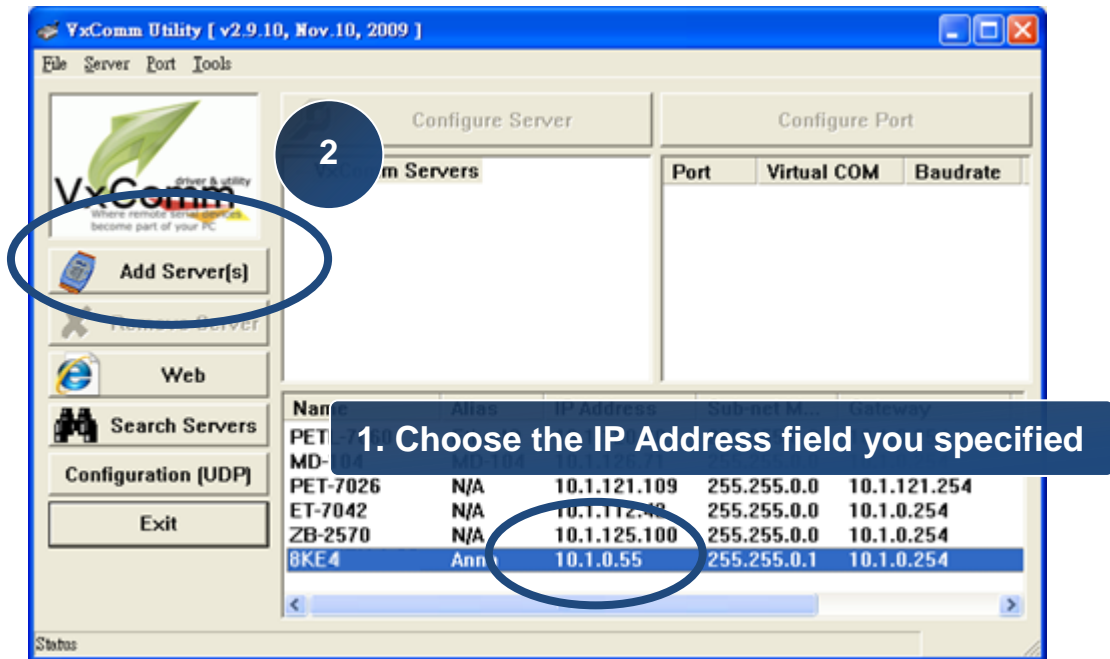
## Step 2: Press “Search Servers” toolbar

After pressing Search Servers from the toolbar, that will search all of your network modules.

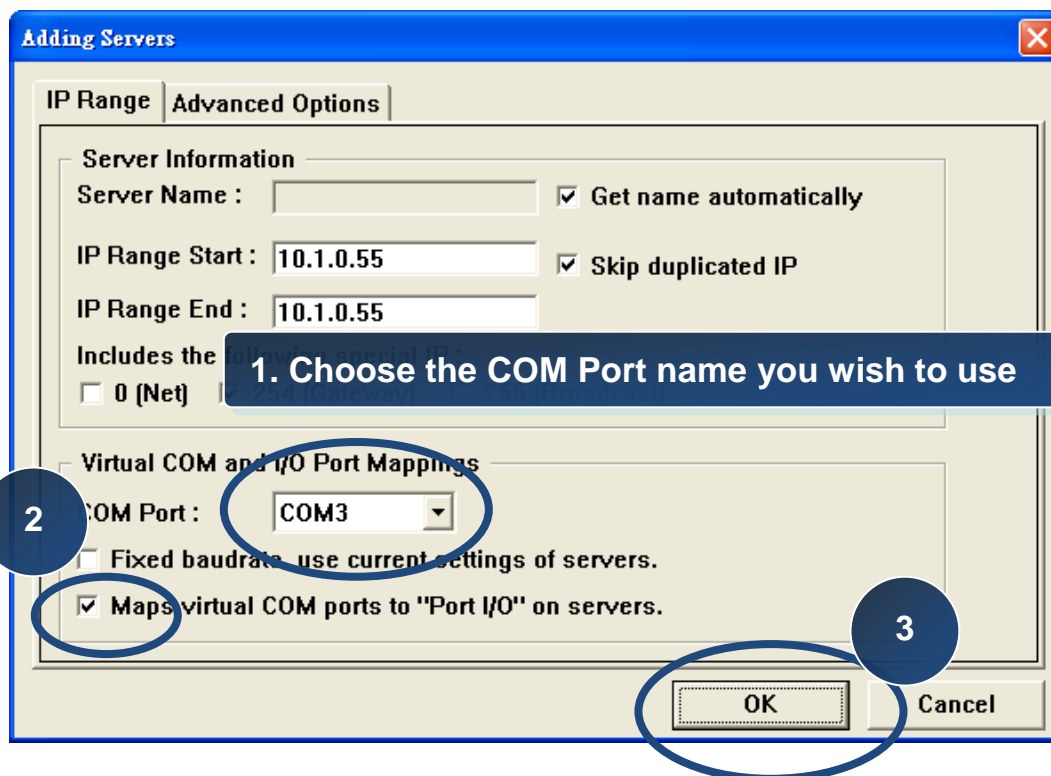


**Step 3: Choose the IP Address field you specified easier and press “Add Server(s)” button from the toolbar**

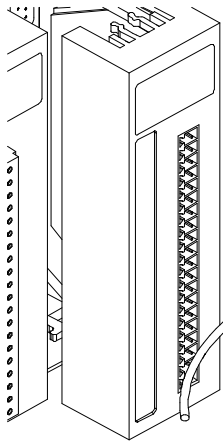
Choose the IP Address field you specified in the list, and then press Add Server(s) from the toolbar.



**Step 4: Choose the Valid COM Port number you wish to use**

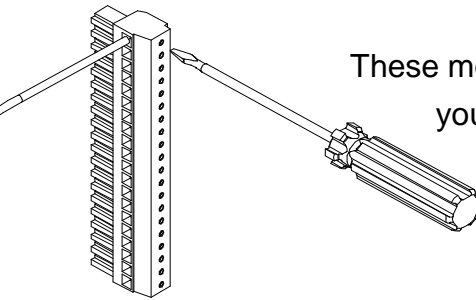


## 6 Inserting and Wiring I/O modules



There are various types of I/O expansion modules for interfacing many different field devices to the I-8000 system.

For more information about I/O expansion module, please refer to [http://www.icpdas.com/products/PAC/i-8000/8000\\_IO\\_modules.htm](http://www.icpdas.com/products/PAC/i-8000/8000_IO_modules.htm)

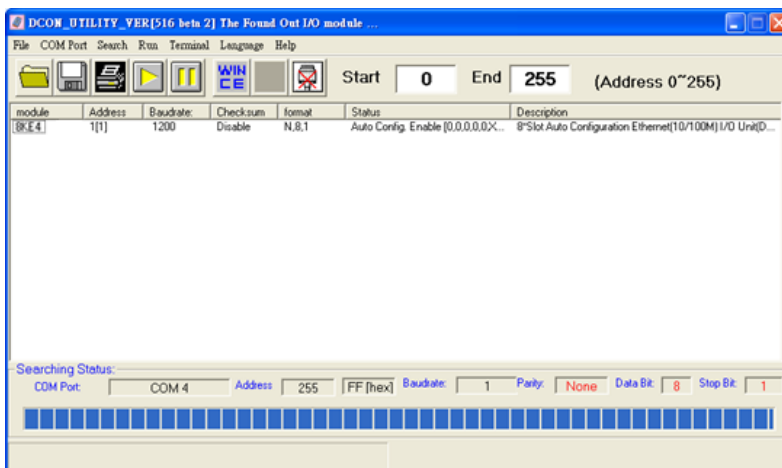


These modules have their own manuals, so if you are using them you should supplement this manual with the manual specifically designed for the special module.

## 7 Using DCON Utility to Configure I/O Modules

DCON Utility is an easy-to-use utility to help you configure the I/O modules.

For more detailed information on how to use DCON Utility to configure I/O modules, please refer to I-8430/I-8830/I-8KE4/I-8KE8 User Manual



For more details, please refer to DCON Utility web site:

<http://www.icpdas.com/products/dcon/introduction.htm>