



# I/O CARD QUICK START GUIDE

for **ISO-C64**

Language English  
Version V1.3  
Update Feb.2009

## 1

### What's on your package?

- One ISO-C64 series card
- One companion ISA CD (V2.1 or later)
- One Quick Start Guide(This document)

## 2

### Installing Windows Driver

#### Follow those steps:

1. Setup the Windows driver. You can get the driver from:  
CD:\NAPDOS\ISA\ISO\DLL\  
<http://ftp.icpdas.com/pub/cd/iocard/isa/napdos/isa/iso/dll/>
2. Click “**N**ext >” button to start installation.
3. Click “**N**ext >” button to install driver into the default folder.
4. Click “**I**nstall” button to continue installation.
5. Select “**N**O, I will restart my computer later” and click “**F**inish”.



Windows driver only support windows 98/NT/2000 and XP/2003/vista 32-bit versions.

# 3

## I/O Base Address

- The base address is set from SW1 DIP switch on board:

SW1: Base Address



\* Default Base Address: 0x200

Address	1	2	3	4	5	6
*0X200	ON	ON	ON	ON	ON	ON
0X208	ON	ON	ON	ON	ON	OFF
0x210	ON	ON	ON	ON	OFF	ON
0x218	ON	ON	ON	ON	OFF	OFF
0x220	ON	ON	ON	OFF	ON	ON
:	:	:	:	:	:	:
0x300	OFF	ON	ON	ON	ON	ON
0x308	OFF	ON	ON	ON	ON	OFF
0x310	OFF	ON	ON	ON	OFF	ON
:	:	:	:	:	:	:

# 4

## Installing Hardware on PC

### Follow those steps:

1. Shut down and power off your computer
2. Remove all covers from the computer
3. Select an empty ISA slot
4. Carefully insert your I/O card into the ISA slot
5. Replace the PC covers
6. Power on the computer

After powering-on the computer, continue next process.

# 5

## Adding Hardware



Adding hardware is used on Windows 2000/XP/2003/Vista 32 only. Windows 9X/Me/NT users can skip it.

### 7. Add Hardware

- 7-1 Open the **“Control Panel”** by click the item **“Start / Settings / Control Panel”**.
- 7-2 Double-click the item **“Add/Remove Hardware”** and click **“Next >”** button.
- 7-3 Select the item **“Add/Troubleshoot a device”** and click **“Next >”** button.
- 7-4 Select the item **“Add a new device”** and click **“Next >”** button.
- 7-5 Select the item **“No, I want to select the hardware from a list”** and click **“Next >”** button.
- 7-6 Select the item **“Other device”** and click **“Next >”** button.
- 7-7 Click the **“Have Disk...”** button.
- 7-8 Click the **“Browse...”** button to select the **Inf** file default path is C:\DAQPRO\ISO\_Win2K\Inf and clicks the **“OK”** button.
- 7-9 Select the correct device from the **“Models:”** listbox and Click **“Next >”** button.
- 7-10 The windows show to dialog box and Click the **“OK”** button to enter the device’s properties settings.

### 8. Modify the device properties

- 8-1 Enter the **“ICPDAS ISO-P64/ISO-C64 Digital I/O Card Properties”**.
- 8-2 Click the **“ I/O Range ”** and click the **“Change setting”** button to enter the **“Edit Input/Output Range”**.
- 8-3 Set the I/O Range value for SW1 value. (Default 200 Hex)
- 8-4 Check the Conflict information for **“ No devices are conflicting”** and click **“OK”**.

### 9. Reboot the PC

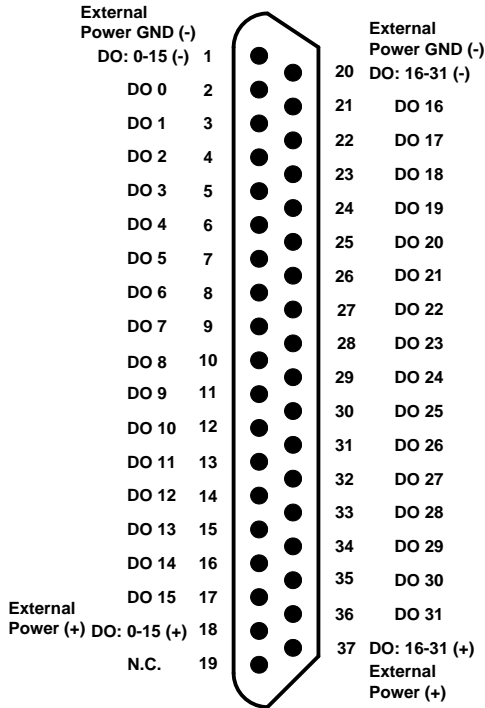
The detail “add hardware” information. Please refer to :

CD:\NAPDOSISA\Manual\PCI\_ISA\_PnP\_Driver\_Installation\_in\_Win9x\_2K\_XP.pdf

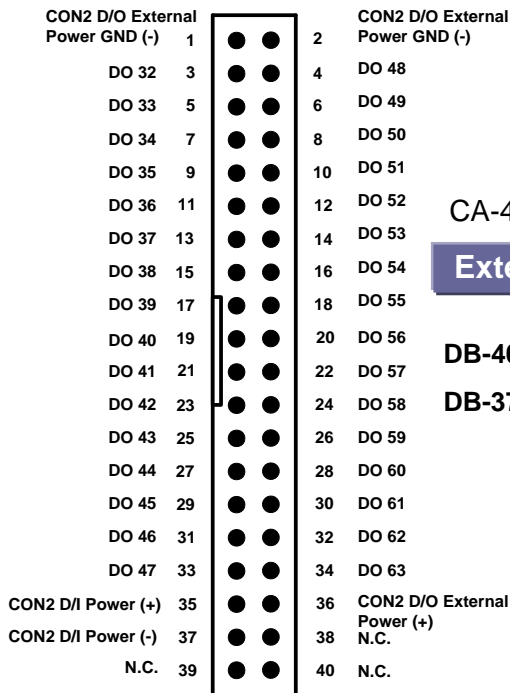
# 6

## Pin Assignments Setting

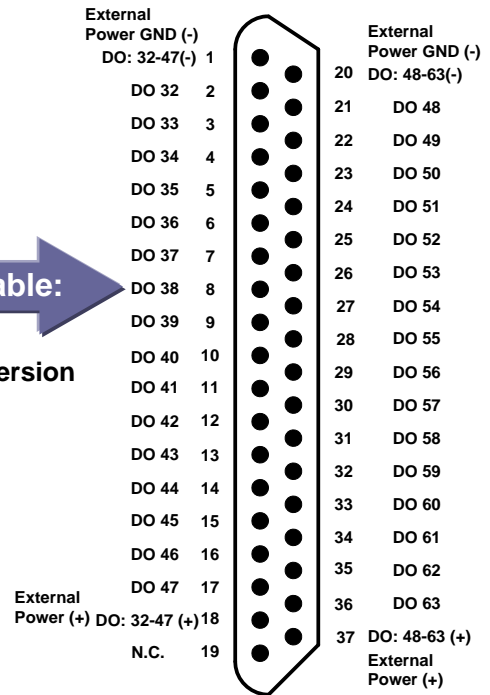
CON1: Pin assignment



CON2: Pin assignment



CON2: Pin assignment



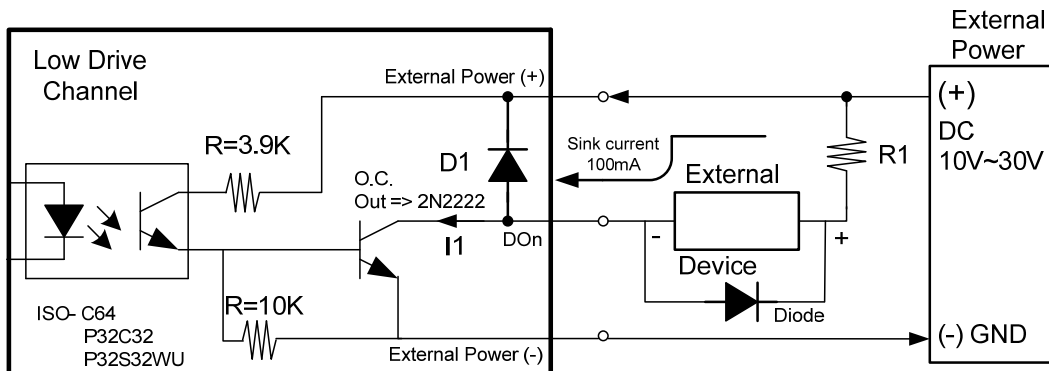
CA-4037W  
 Extension cable:  
 DB-40-Pin conversion  
 DB-37-Pin

The detail pin assignments information. Please refer to :

CD:\NAPDOSISA\ISO\Manual\ISO-P32C32\_P32S32W\_P64\_C64\_manual.pdf

[http://ftp.icpdas.com/pub/cd/iocard/isa/napdos/isa/iso/manual/iso-p32c32\\_p32s32w\\_p64\\_c64\\_manual.pdf](http://ftp.icpdas.com/pub/cd/iocard/isa/napdos/isa/iso/manual/iso-p32c32_p32s32w_p64_c64_manual.pdf)

## ➤ Wiring Note:



※Recommend: It is necessary to connect a diode in the output end as means of preventing damage from the counter emf. If your External Device is inductive Load, Ex. Relay...

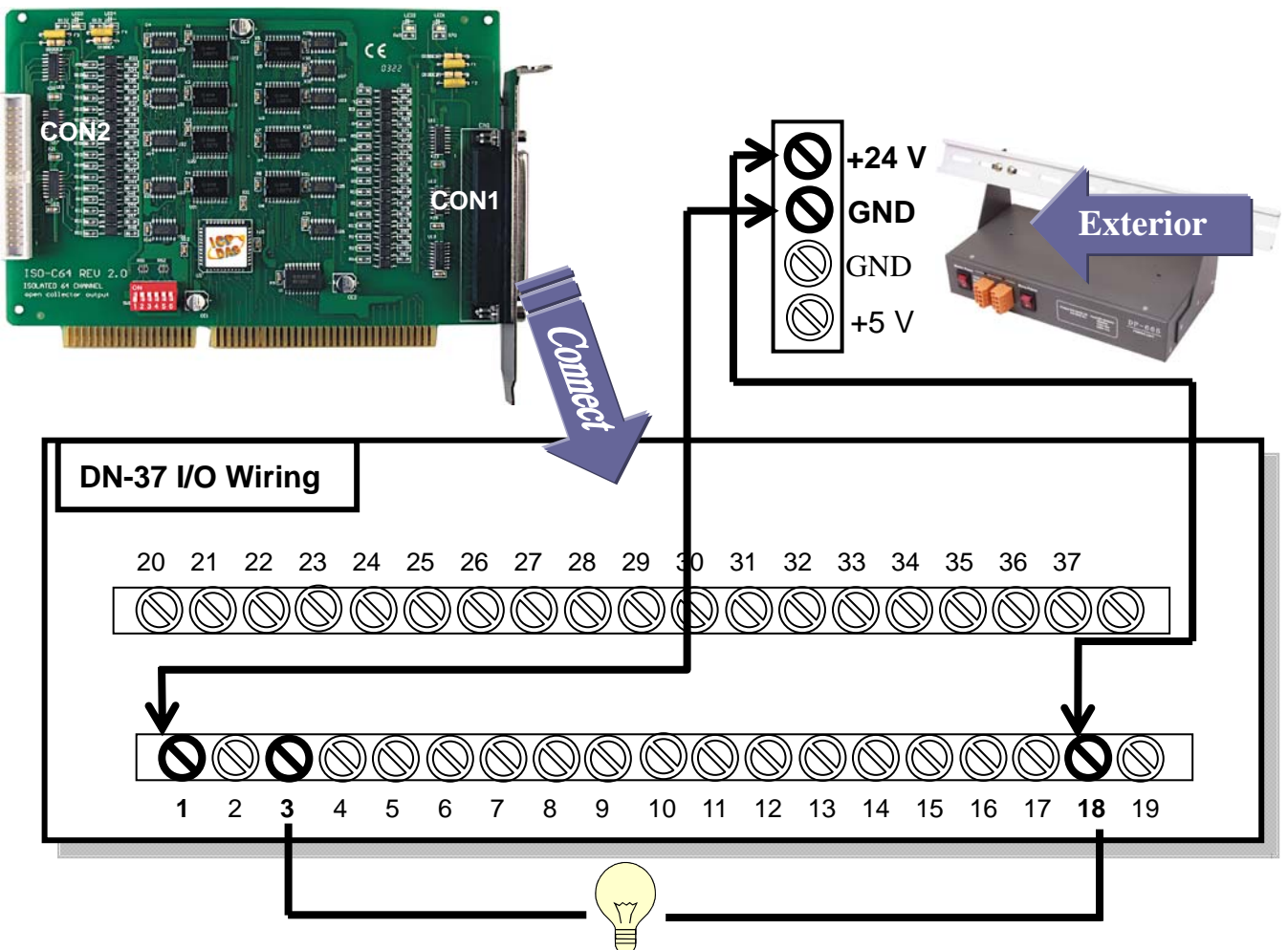


To prevent the board damaged forever by overload, the GND pins (CON1: pin 1/20, CON2: pin 1/ 20) all must be connected with GND of External Power.

# 7

## Self-Test

1. Prepare for device:
  - DN-37(Optional) wiring terminal board.
  - Exterior power supply device. For example: DP-665(Optional)
2. Use DN-37 to connect the board CON1.
3. External +24 V connect to CON1.DO:0-15(+) and external GND connect to CON1.DO:0-15(-).  
(External +24 V connect to Pin18, External GND connect to Pin1)
4. Use output LED to connect the CON1.DO1 and DO:0-15(+).  
(Output LED to connect the CON1.Pin3 and CON1.Pin18)



## 5. Run the ISO-C64 sample program.

Get the file from(Default): C:\DAQPro\ISO\_WinXXX\Demo\

## 6. Check number of the ISO-C64, and test DO function.

1. The one ISO-C64 had successfully installed to PC.

2. Select the board number for the ISO-C64. It starts from 0.

3. Click this button to do DO test.

## 7. Get DO function test result.

4. Write **&hAA** to all channels [0-15] of output.

5. Check channels [0-15] of output LED state for high.

Complete

# 8

## Additional Information

✓ **ISO-C64 Series Card Product page:**

[http://www.icpdas.com/products/DAQ/pc\\_based/iso\\_c64.htm](http://www.icpdas.com/products/DAQ/pc_based/iso_c64.htm)

✓ **DN-37(Optional) page:**

[http://www.icpdas.com/products/DAQ/screw\\_terminal/dn\\_37.htm](http://www.icpdas.com/products/DAQ/screw_terminal/dn_37.htm)

✓ **DP-665(Optional) page:**

[http://www.icpdas.com/products/Accessories/power\\_supply/dp-665.htm](http://www.icpdas.com/products/Accessories/power_supply/dp-665.htm)

✓ **Documents:**

CD:\NAPDOS\ISA\ISO>manual

<http://ftp.icpdas.com/pub/cd/iocard/isa/napdos/isa/iso/manual/>

✓ **Software:**

CD:\NAPDOS\ISA\ISO

<http://www.icpdas.com/download/isa/iso/index.htm>

### The ICP DAS Web Site

<http://www.icpdas.com>



### Contact Us

[Service@icpdas.com](mailto:Service@icpdas.com)

- Technical support
- Supplies and ordering information
- Ways to enhance your device
- FAQ
- Application story

Copyright ©2008 by ICP DAS Co., Ltd. All right are reserved