

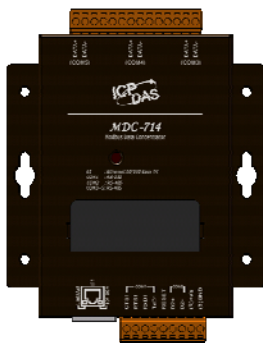
# Quick Start for MDC-700 Series

July 2015, Version 1.01

This Quick Start intends to provide information needed to get started with the MDC-700 series modules. Please also consult the user manual for detailed information on the setup and use of the module.

## What's In the Box?

In addition to this guide, the package includes the following items:



**Module**



**Software Utility CD**



**RS-232 Cable  
(CA-0910)**



**Screw Driver**

## Technical Support

### User Manual

CD:\NAPDOS\Modbus\MDC\_700\Document\  
[http://ftp.icpdas.com/pub/cd/8000cd/napdos/modbus/mdc\\_700/document/](http://ftp.icpdas.com/pub/cd/8000cd/napdos/modbus/mdc_700/document/)

### Firmware

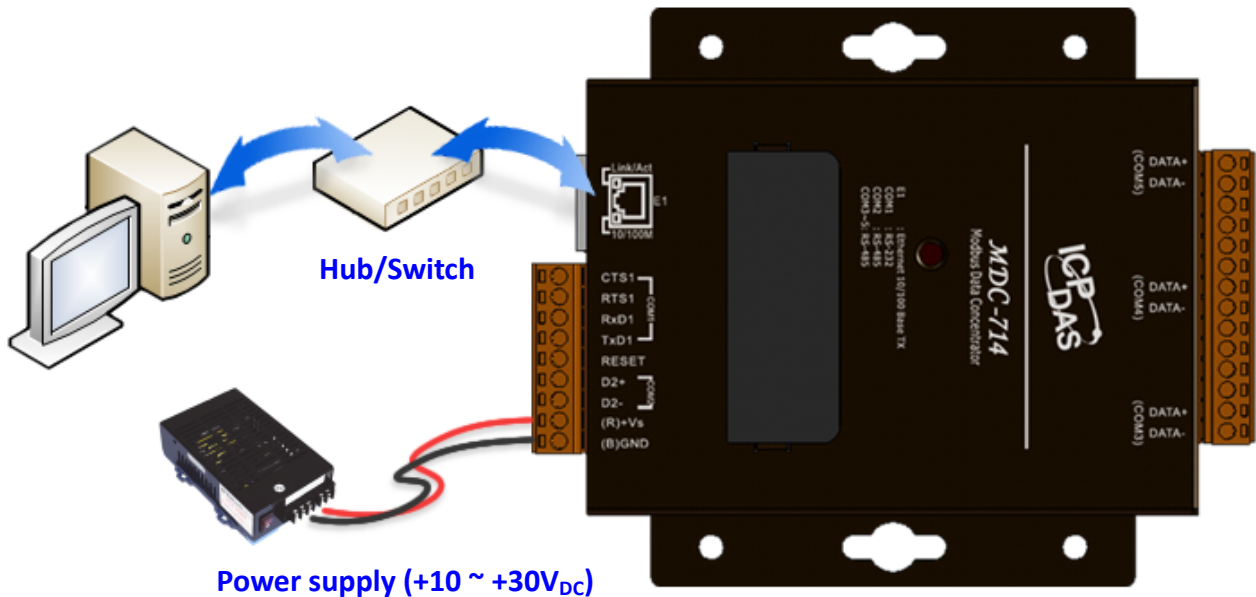
CD:\NAPDOS\Modbus\MDC\_700\Firmware\  
[http://ftp.icpdas.com/pub/cd/8000cd/napdos/modbus/mdc\\_700/firmware/](http://ftp.icpdas.com/pub/cd/8000cd/napdos/modbus/mdc_700/firmware/)

### ICP DAS Website

<http://www.icpdas.com>

# 1 Connecting to PC, Network and Power

The module is equipped with a standard Ethernet port (RJ-45) for connecting to an Ethernet Hub/Switch and PC. Moreover, you can also connect the PC directly with an Ethernet cable.



## 2 Assigning an IP address to MDC-700

The MDC-700 is an Ethernet device, which comes with a default IP address of **192.168.255.1**. You need first assign a valid IP address of your network to the MDC-700 module for accessing the module and using the built-in web-based interface.

**STEP 1** Power on the computer and the MDC module.

**STEP 2** Set the IP configuration on your computer.

If the MDC module is new, with the default IP address of 192.168.255.1, you must chose an IP address for the computer in the range of 192.168.255.2 – 192.168.255.253 that is not already in use.

**NOTE:** Details on how to change the IP address on your computer depend upon the type architecture and operating system you are using. Use the computer Help and Support functionality to search for “IP Addressing”.

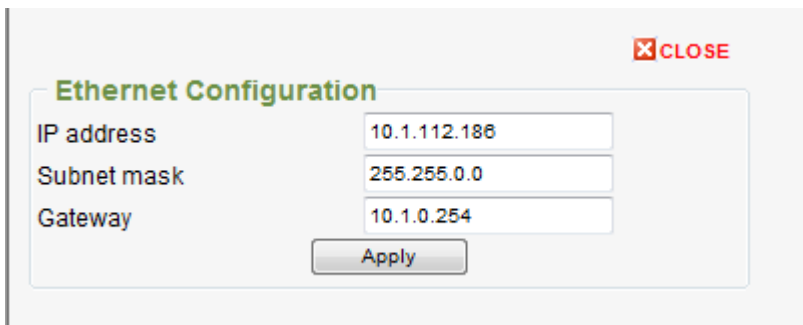
**STEP 3** Open a web browser and go to the website at <http://192.168.255.1>, where 192.168.255.1 is the IP address of your MDC module.



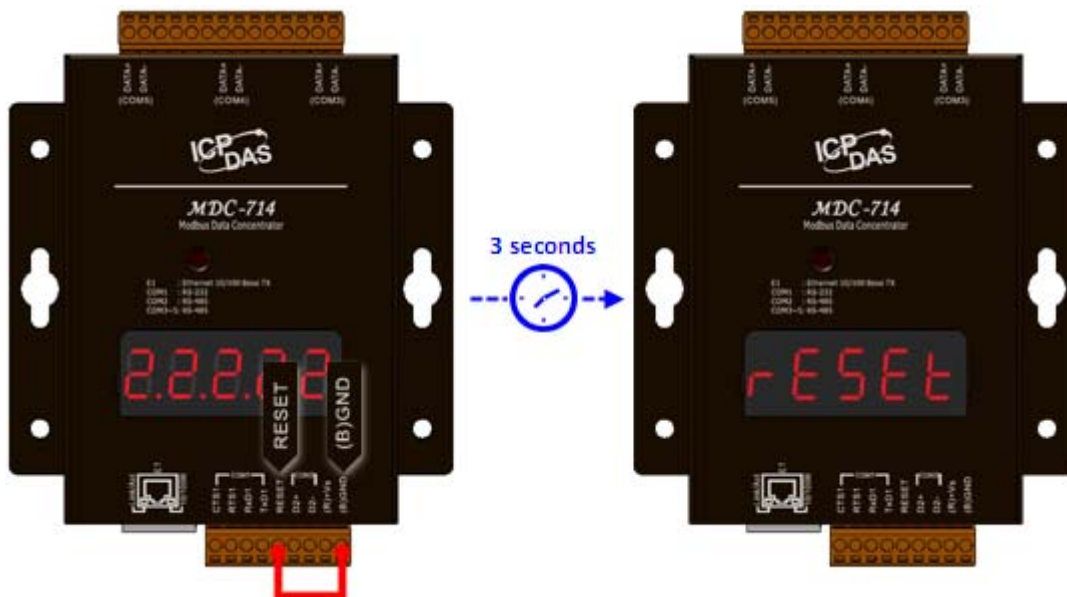
**STEP 4** Open the IP address configuration interface by clicking the **Ethernet Configuration**.



**STEP 5** Choose a valid IP address for your MDC module. Make sure that the address you pick is not currently in use by another device on the network.



**NOTE:** The MDC-700 can be reset to factory defaults by shorting the RESET pin to GND pin over 3 seconds. The LED display will show "RESET" as below and the IP address set previously will be removed.



# 3 Enabling Adobe Flash Player in Your Browser

Your browser must support Adobe Flash Player and have it enabled in order to use the built-in web server. If you do not have it installed, please go to the following website and install it.



The Adobe Flash Player Download Center :  
<http://get.adobe.com/flashplayer/>

# 4 Go to the Web Site to Check out Functions

Go to the web interface at <http://xxx.xxx.xxx.xxx>, where xxx.xxx.xxx.xxx is the IP address of your MDC module. Any standard browser can be used to interface the MDC module, such as Mozilla Firefox, Internet Explorer or Google Chrome.

**NOTE:** If you haven't changed the default IP address of the module, please refer to "2. Assign an IP address to MDC-700" to configure it.

