

# **MSM Series Switch Quick Start**

Industrial Managed Ethernet Switch

Applied to models MSM-508,MSM-508FC/FCS/FT

Version 1.0, Nov. 2008

## **1**

### **What's on your package?**

1. One MSM Series Switch
2. One companion CD
3. One Quick Start Guide (this document)
4. One RS-232 download cable (CA-090510)

## **2**

### **Preparing for start-up**

1. Power Supply : +12V ~ +48V/DC (EX : PWR-24/110)

[http://www.icpdas.com/products/Accessories/power\\_supply/pwr-24.htm](http://www.icpdas.com/products/Accessories/power_supply/pwr-24.htm)

2. Make sure your PC has workable network settings.

3. Copy 7188xw.exe to your PC.

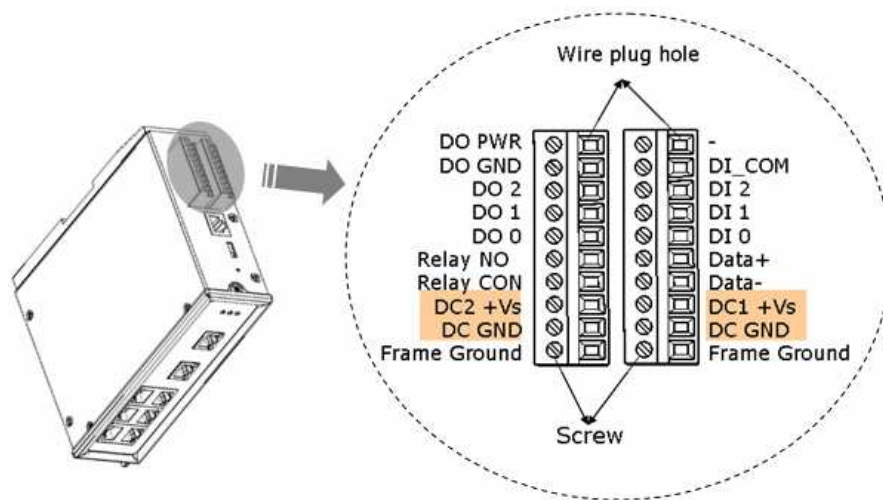
You can find it from the companion CD ( \Napdos\7188XW\ ) ,or  
download the latest version from ICP DAS website.

<http://www.icpdas.com/products/Switch/industrial/software.htm>

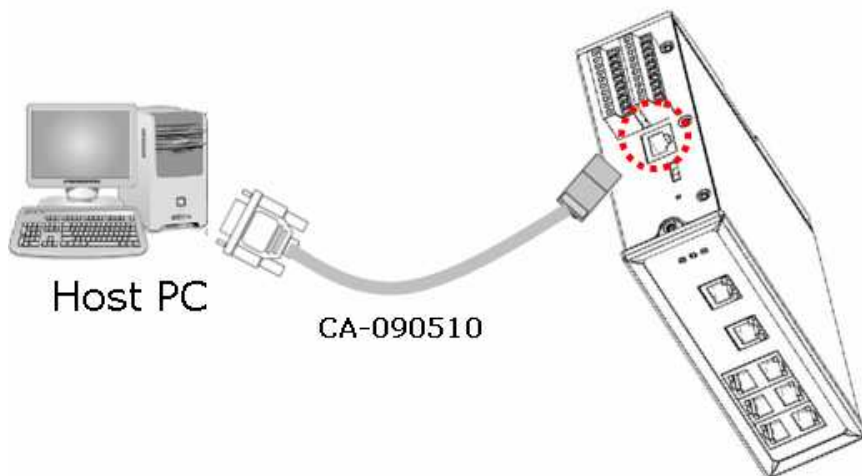
# 3

## Connecting the Power and Host PC

### 1. Connect the power to your MSM Series switch



### 2. Connect Switch to the COM1 port of host PC.



# 4

## Quick configuration

1. Place the DIP switch on the “Normal Run” mode.  
Turn on MSM Series Switch power.
2. Execute 7188xw.exe utility and press ENTER
3. Setting the IP, Mask, Gateway to fit your network.  
You can type ‘?’ or ‘help’ to list all console commands, and type ‘? command’ to get the command usage.
4. When you finish the network setting, you have to reboot MSM Series Switch to enable the setting values.
5. Execute web browser application, connect to the Switch Web Management with the new setting IP.



6. If connection succeeds, a login box will popup.  
Default User Name : Admin  
Default password : Admin
7. When authentication succeeds, you can see a welcome information display.

For more detail configuration of Web Management, please refer to the MSM Web Management Manual in the CD,

CD:\Napdos\MSM-508>manual\

or download from ICP DAS website.

<http://www.icpdas.com/products/Switch/industrial/software.htm>

## Additional Information

---

### ◆ MS Series Switch Manual :

CD:\Napdos\MSM-508>manual\

<http://www.icpdas.com/products/Switch/industrial/software.htm#manu>

### ◆ MS Series Switch firmware :

CD:\Napdos\MSM-508\firmware\

<http://www.icpdas.com/products/Switch/industrial/software.htm>

### ◆ The ICP DAS Web Site

<http://www.icpdas.com>

- ▶ Technical support
- ▶ Supplies and ordering information
- ▶ Information to enhance the product
- ▶ FAQ & Application story

### ◆ Contact Us

[Service@icpdas.com](mailto:Service@icpdas.com)

<http://www.icpdas.com/sevices/support.htm>

