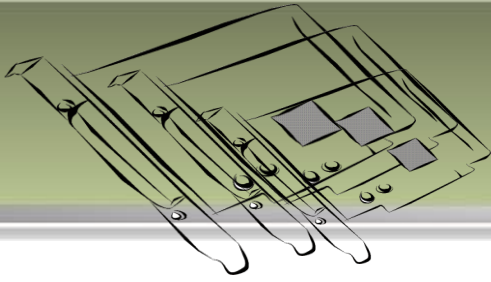


I/O CARD QUICK START GUIDE

For PISO-725

English/ Jun. 2013/ Version 1.2



1 What's in the shipping package?

The package includes the following items:



One PISO-725 series PCI Board.



One Software Utility CD (V5.2 or later)



One Quick Start Guide (This Document)



One CA-4002 D-Sub connector

2 Installing Windows Driver

Step 1: Setup the Windows driver. The driver is located at:

- The UniDAQ driver supports 32-/64-bit Windows 2K/XP/2003/Vista/7/8; it is recommended to install this driver for new user:
CD: \NAPDOS\PCI\UniDAQ\DLL\Driver
<http://ftp.icpdas.com/pub/cd/iocard/pci/napdos/pci/unidag/dll/driver/>

- The PISO-725 series classic driver supports Windows 98/NT/2K and 32-bit XP/ 2003/ Vista/7/8. Recommended to install this driver for have been used PISO-725 series boards of regular user, please refer to :
<http://ftp.icpdas.com/pub/cd/iocard/pci/napdos/pci/piso-725/manual/quickstart/classic/>

Step 2: Click the "**Next>**" button to start the installation.

Step 3: Check your DAQ Card is or not on supported list, then click the "**Next>**" button.

Step 4: Select the installed folder, the default path is C:\ICPDAS\UniDAQ , confirm and click the "**Next>**" button.

Step 5: Check your DAQ Card on list, then click the "**Next>**" button.

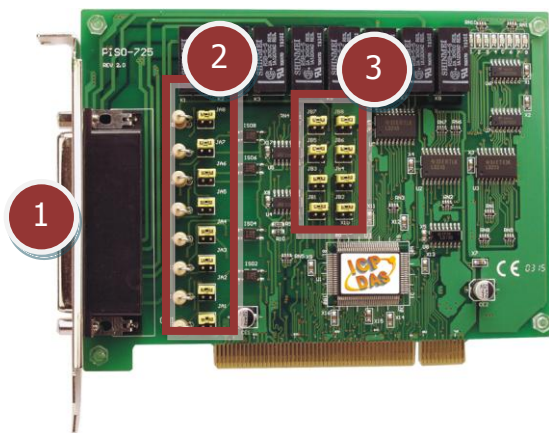
Step 6: Click the "**Next>**" button on the **Select Additional Tasks** window.

Step 7: Click the "**Next>**" button on the **Download Information** window.

Step 8: Select "**No, I will restart my computer later**" and then click the "**Finish**" button.

For detailed information about the driver installation, please refer to Chapter 2.1 "Getting the UniDAQ Driver DLL Installer package" of the UniDAQ SDK user manual.

3 Jumper Setting



- 1. CON1:** 8-channel Relay Output and 8-channel Digital Input.
- 2. JA1-JA8:** Select the isolated/non-isolated digital input.
- 3. JB1-JB8:** Select the isolated/non-isolated digital input.

Please make sure jumper is kept in default setting before self-test.

Channel	Signal Name	Pin Assignment	Jumper
(0+, 0-)	(DIA0,DIB0)	(12,30)	JA1 & JB1
(1+, 1-)	(DIA1,DIB1)	(13,31)	JA2 & JB2
(2+, 2-)	(DIA2,DIB2)	(14,32)	JA3 & JB3
(3+, 3-)	(DIA3,DIB3)	(15,33)	JA4 & JB4
(4+, 4-)	(DIA4,DIB4)	(16,34)	JA5 & JB5
(5+, 5-)	(DIA5,DIB5)	(17,35)	JA6 & JB6
(6+, 6-)	(DIA6,DIB6)	(18,36)	JA7 & JB7
(7+, 7-)	(DIA7,DIB7)	(19,37)	JA8 & JB8

Isolated Digital Input	Non-isolated Digital Input
	
<input checked="" type="checkbox"/> Default Setting	

4 Installing Hardware on PC

- Step 1: Shut down and power off your computer.**
- Step 2: Remove the cover from the computer.**
- Step 3: Select an unused PCI slot.**
- Step 4: Carefully insert your I/O card into the PCI slot.**
- Step 5: Replace the PC cover.**
- Step 6: Power on the computer.**

After powering-on the computer, please finish the Plug&Play steps according to the prompted messages.

5 Pin Assignments

- **CON1: 37 pin of D-type female connector.**

Pin Assignment	Terminal No.	Pin Assignment
NO_0	01	NO_3
COM_0	02	20
NC_0	03	21
NO_1	04	22
COM_1	05	23
NC_1	06	24
NO_2	07	25
COM_2	08	26
NC_2	09	27
NO_7	10	28
COM_7	11	29
DIA_0	12	30
DIA_1	13	31
DIA_2	14	32
DIA_3	15	33
DIA_4	16	34
DIA_5	17	35
DIA_6	18	36
DIA_7	19	37
		GND
		DIB_0
		DIB_1
		DIB_2
		DIB_3
		DIB_4
		DIB_5
		DIB_6
		DIB_7

CON1

6

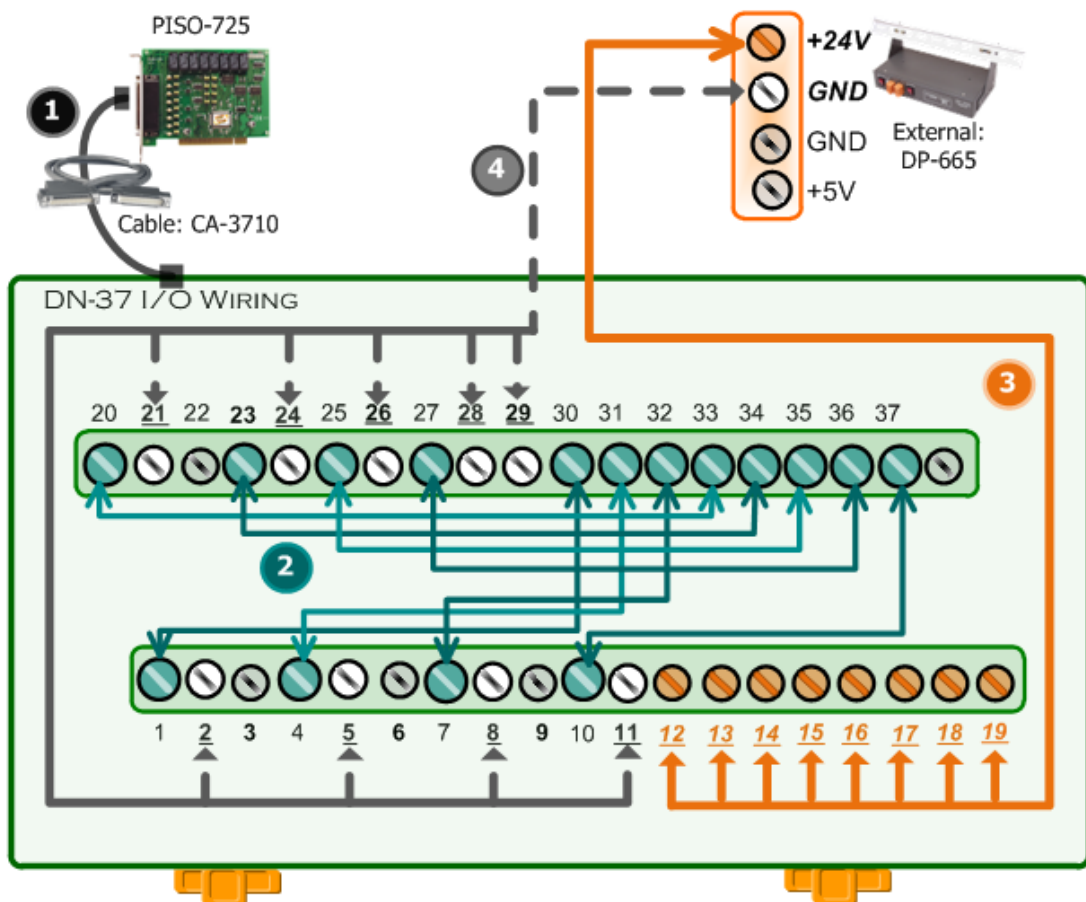
Self-Test

■ Prepare for device:

- ☑ DN-37 (optional) wiring terminal board.
- ☑ Exterior power supply device. For example: DP-665 (optional)

■ Self-test wiring as follows:

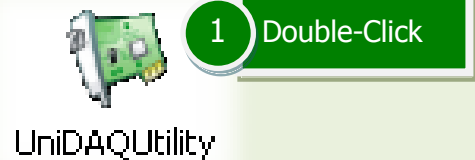
1. Use the DN-37 to connect the CON1 on board.
2. Connect the DIB(0-7) with NO(0-7).
(Pin30/31/32/33/34/35/36/37 connect to Pin01/04/07/20/23/25/27/10)
3. Power Supply (+24 V) connect to DIA(0-7) (Pin12/13/14/15/16/17/18/19).
4. Power Supply GND connect to COM(0-7) (Pin02/05/08/21/24/26/28/11).
Power Supply GND connect to GND (Pin 29).



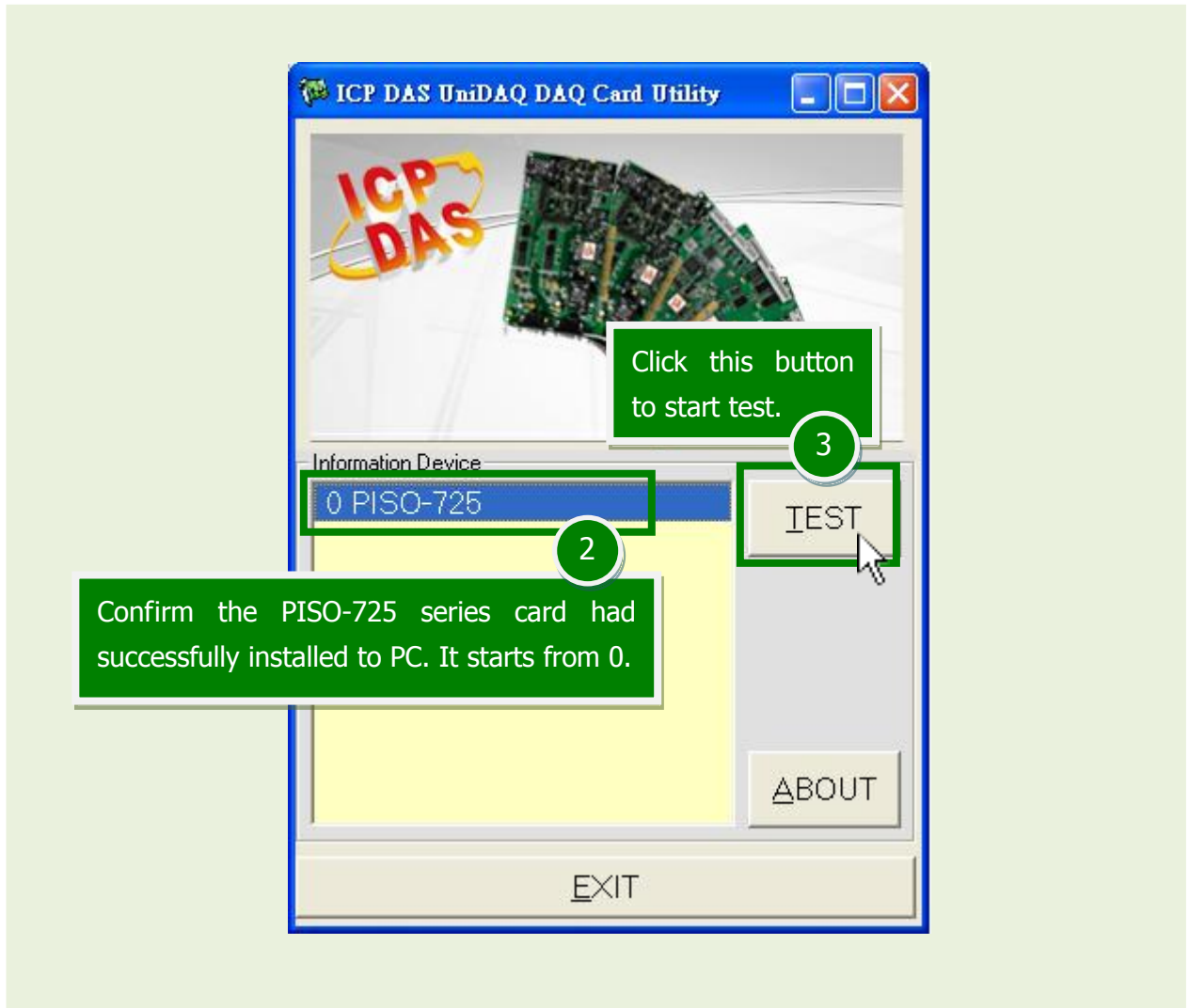
5. The UniDAQ Utility.exe is located in:

This program (UniDAQ Utility) will be placed in the default path after completing installation.

Default Path: C:\ICPDAS\UniDAQ\Driver\
 Double click the "UniDAQUtility.exe"



6. Execute the UniDAQ Utility Program.



7. Get DIO function test result.

Click "Digital Output" item.

4

6 Check channel 0, 2, 4, 6

5 Select the "Port 0".

Port Number 0 HEX 55

EXIT

Click "Digital Input" item.

7

9 The corresponding D/I becomes black for channel 0, 2, 4, 6 of D/O is ON.

8 Select the "Port 0"

Port Number 0 HEX 55

EXIT

PASS

7

Related Information

- PISO-725 Series Card Product Page:
http://www.icpdas.com/root/product/solutions/pc_based_io_board/pci/piso-725.html
- DN-37, CA-3710 and DP-665 page (optional):
http://www.icpdas.com/products/DAQ/screw_terminal/dn_37.htm
http://www.icpdas.com/products/Accessories/power_supply/dp-665.htm
http://www.icpdas.com/products/Accessories/cable/cable_selection.htm
- Documentation and Software:
CD:\NAPDOS\PCI\UniDAQ\
<http://ftp.icpdas.com/pub/cd/iocard/pci/napdos/pci/unidaq/>