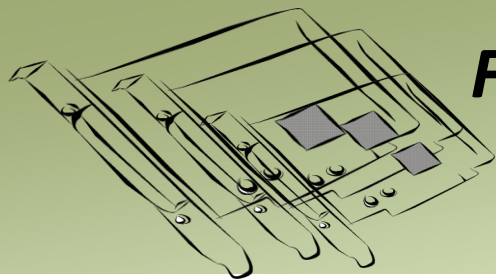


I/O CARD QUICK START GUIDE



**For PISO-730U, PISO-730U-5V
PEX-730, PISO-730A**

English/ Aug. 2015/ Version 1.1

1

Check the Supplied Items

The shipping package includes the following items:



One PEX/PISO-730 series board as follows:
PISO-730U, PISO-730U-5V, PISO-730A
PEX-730



One Software Utility CD (V6.2 or later)



One Quick Start Guide (This Document)



One CA-4002 D-Sub connector

2

Installing Windows Driver

Step 1: Setup the Windows driver. The driver is located at:

- The UniDAQ driver supports 32-/64-bit Windows 2K/XP/2003/Vista/7/8; it is recommended to install this driver for new user:
CD: \NAPDOS\PCI\UniDAQ\DLL\Driver
<http://ftp.icpdas.com/pub/cd/iocard/pci/napdos/pci/unidag/dll/driver/>

- The PISO-DIO Series classic driver supports Windows 98/NT/2K and 32-bit XP/2003/ Vista/7/8. Recommended to install this driver for have been used PISO-730 series boards of regular user, please refer to :
<http://ftp.icpdas.com/pub/cd/iocard/pci/napdos/pci/piso-dio/manual/quickstart/classic/>

Step 2: Click the “**Next>**” button to start the installation.

Step 3: Check your DAQ Card is or not on supported list, then click the “**Next>**” button.

Step 4: Select the installed folder, the default path is C:\ICPDAS\UniDAQ , confirm and click the “**Next>**” button.

Step 5: Check your DAQ Card on list, then click the “**Next>**” button.

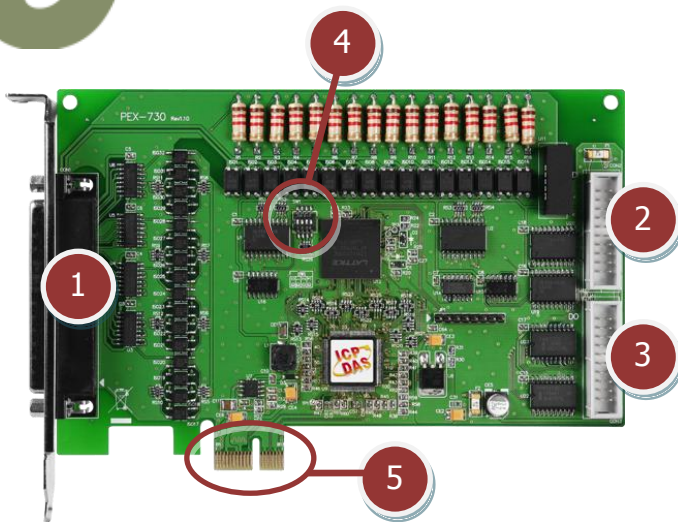
Step 6: Click the “**Next>**” button on the **Select Additional Tasks** window.

Step 7: Click the “**Next>**” button on the **Download Information** window.

Step 8: Select “**No, I will restart my computer later**” and then click the “**Finish**” button.

- ※ *For detailed information about the driver installation, please refer to Chapter 2.1 “Getting the UniDAQ Driver DLL Installer package” of the UniDAQ SDK user manual.*

3 Jumper Setting



1. **CON1**: Isolated DIO channel 0-15.
2. **CON2**: 5V/TTL DI channel 0-15.
3. **CON3**: 5V/TTL DO channel 0-15.
4. **SW1**: Card ID Setting for PISO-730U(-5V)/PEX-730 only.
5. **PCI Bus**: for PISO-730U(-5V)/PISO-730A
PCI Express: for PEX-730

- ※ *For more detailed SW1 information, please refer to manual Section 2.4 Card ID Switch Settings. (CD:\NAPDOS\PCI\PISO-DIO>manual\)*


4 Installing Hardware on PC

- Step 1: Shut down and power off your computer.
- Step 2: Remove the cover from the computer.
- Step 3: Select an unused PCI/PCI Express slot.
- Step 4: Carefully insert your I/O card into the PCI/PCI Express slot.
- Step 5: Replace the PC cover.
- Step 6: Power on the computer.

After powering-on the computer, please finish the Plug&Play steps according to the prompted messages.

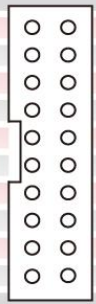
5 Pin Assignments

Pin Assignment	Terminal No.	Pin Assignment
IDI_0	01	IDI_1
IDI_2	02	IDI_3
IDI_4	03	IDI_5
IDI_6	04	IDI_7
IDI_8	05	IDI_9
IDI_10	06	IDI_11
IDI_12	07	IDI_13
IDI_14	08	IDI_15
EI.COM1	09	EI.COM2
EO.COM1	10	IGND
IDO_0	11	IDO1
IDO_2	12	IDO3
IDO_4	13	IDO5
IDO_6	14	IDO7
IDO_8	15	IDO9
IDO_10	16	IDO11
IDO_12	17	IDO13
IDO_14	18	IDO15
EO.COM2	19	




CON1

Pin Assignment	Terminal No.	Pin Assignment
DI 0	01	DI 1
DI 2	03	DI 3
DI 4	05	DI 5
DI 6	07	DI 7
DI 8	09	DI 9
DI 10	11	DI 11
DI 12	13	DI 13
DI 14	15	DI 15
GND	17	GND
+5V	19	+12V



CON2

Pin Assignment	Terminal No.	Pin Assignment
DO 0	01	DO 1
DO 2	03	DO 3
DO 4	05	DO 5
DO 6	07	DO 7
DO 8	09	DO 9
DO 10	10	DO 11
DO 12	12	DO 13
DO 14	14	DO 15
GND	16	GND
+5V	18	+12V



CON3

6 Self-Test

■ Prepare for device:

- ☑ DN-37 (optional) wiring terminal board
- ☑ Exterior power supply device. For example: DP-665 (optional)
- ☑ CA-3710 (optional) cable and CA-2002 (optional) cable

■ Self-test wiring as follows:

1. Use **CA-2002** to connect the **CON2** with **CON3** on board.
 2. Use the **DN-37** to connect the **CON1** on board.
 3. Connect the **CON1.IDI (0-15)** with **CON1.IDO (0-15)**.
(**Pin1** connects to **Pin11** **Pin27** connects to **Pin37**)
 4. Connect the **EI.COM1** with **EI.COM2**; Connect the **EO.COM1** with **EO.COM2**.
(**Pin9** connects to **Pin20**; **Pin10** connects to **Pin19**)
- **PEX-730/PISO-730U External Power Wiring:**
5. **External Power +24 V** connect to **EO.COM2 (Pin19)**.
External Power +24 V connect to **EI.COM2 (Pin28)**.
External Power GND connect to **CON1.IGND (pin29)**.
(Refer to **Figure 6-1** for illustrations of how to perform the Steps 1 to 5 procedures)
- **PISO-730U-5V External Power Wiring:**
5. **External Power +5 V** connect to **EO.COM2 (Pin19)**.
External Power +5 V connect to **EI.COM2 (Pin28)**.
External Power GND connect to **CON1.IGND (pin29)**.
(Refer to **Figure 6-2** for illustrations of how to perform the Steps 1 to 5 procedures)
- **PISO-730A External Power Wiring:**
5. **External Power +24 V** connect to **EO.COM2 (Pin19)**.
External Power GND connect to **EI.COM2 (Pin28)**.
External Power GND connect to **CON1.IGND (pin29)**.
(Refer to **Figure 6-3** for illustrations of how to perform the Steps 1 to 5 procedures)

➤ **PEX-730/PISO-730U Wiring:**

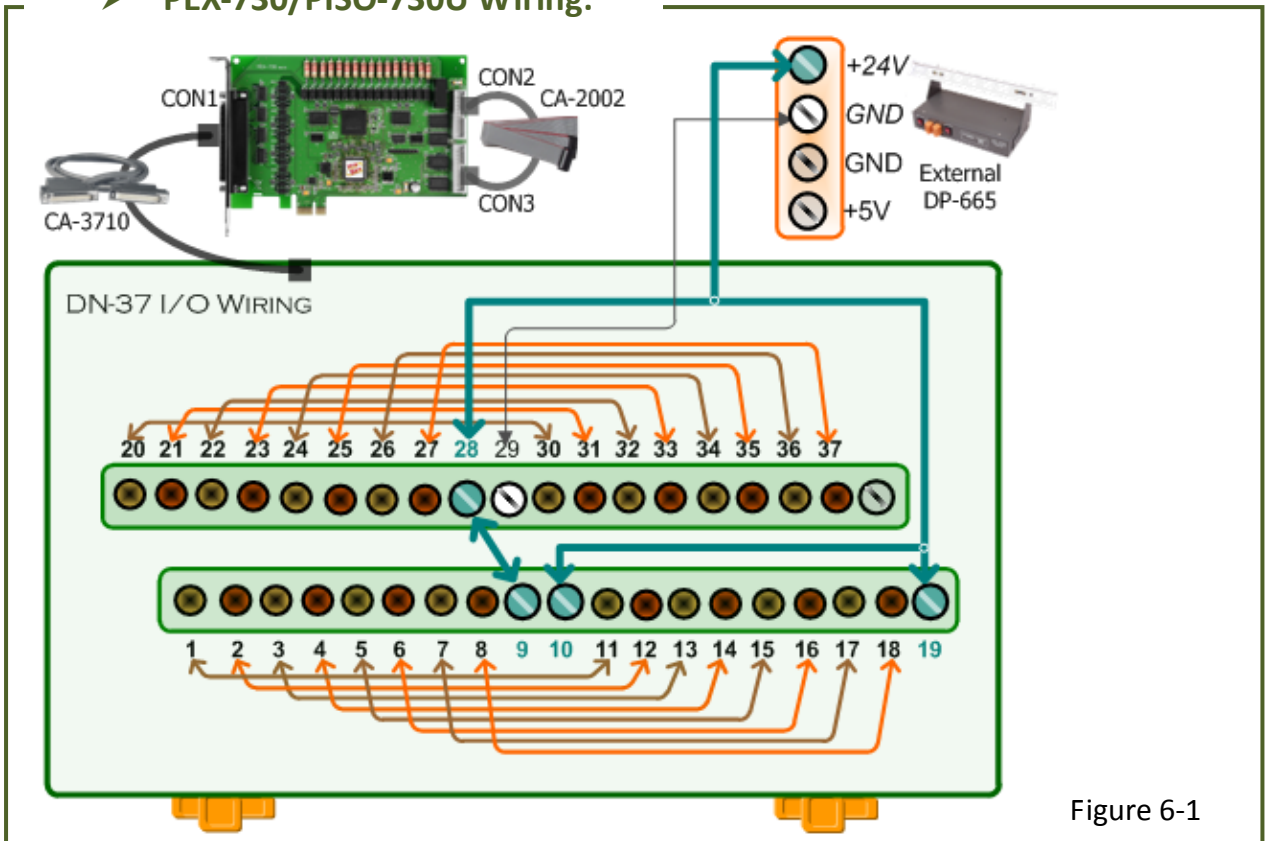


Figure 6-1

➤ **PISO-730U-5V Wiring:**

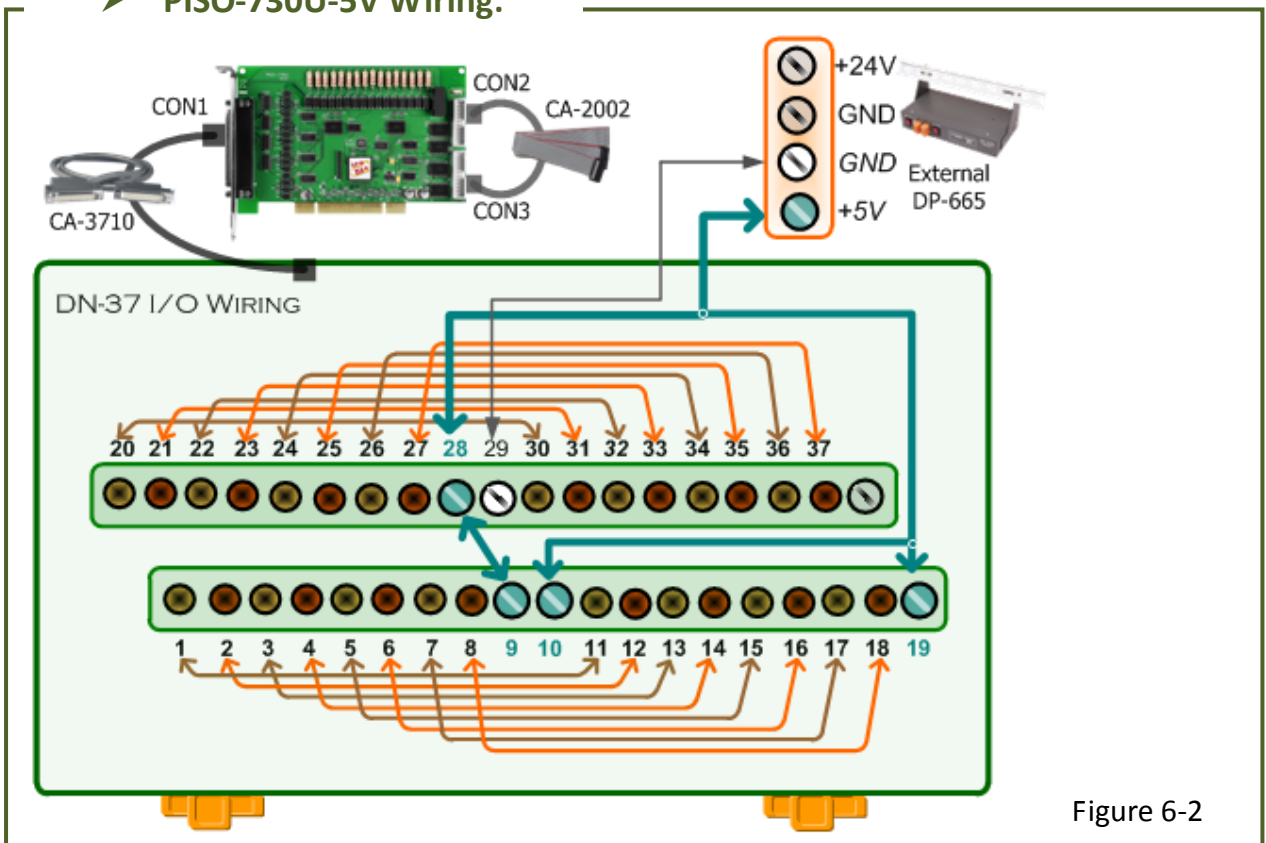


Figure 6-2

➤ PISO-730A Wiring :

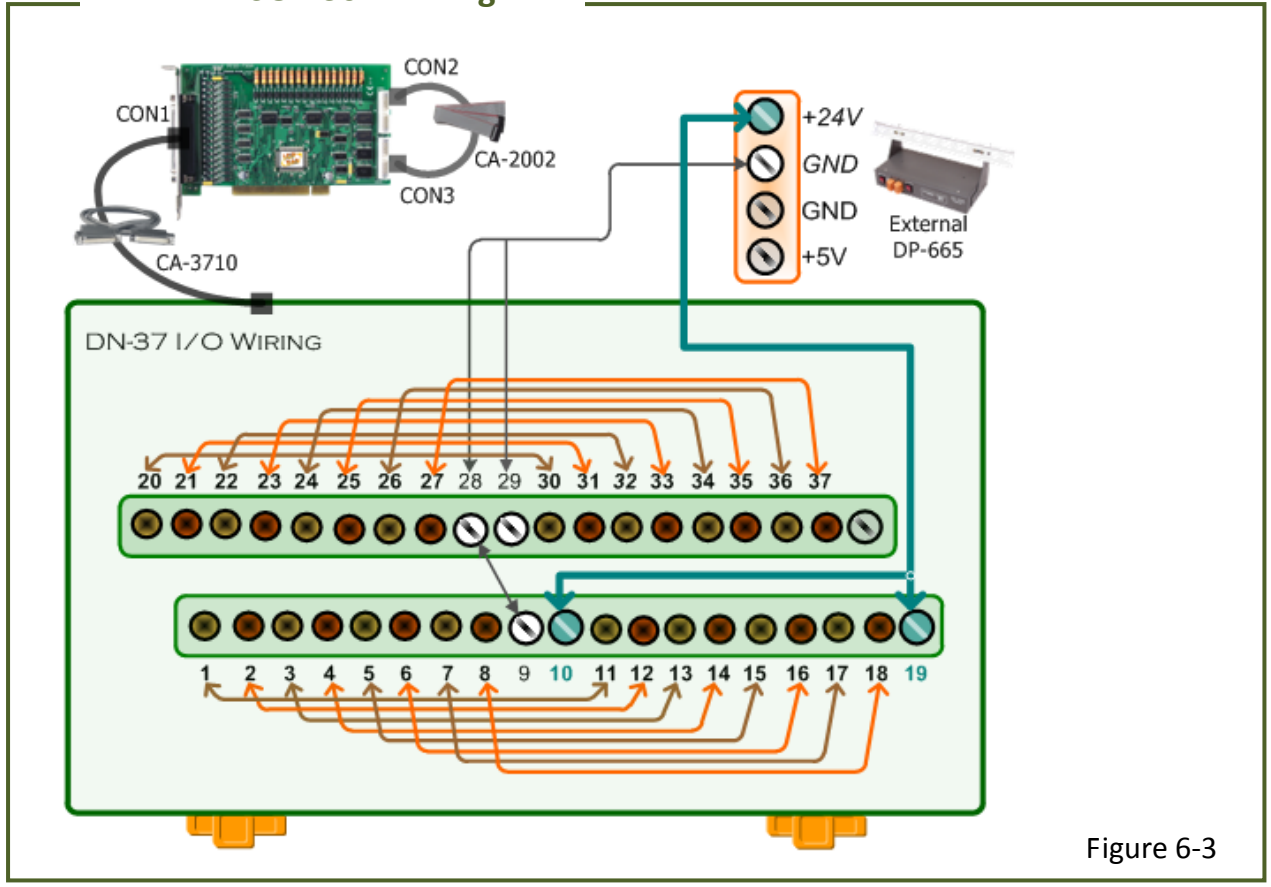


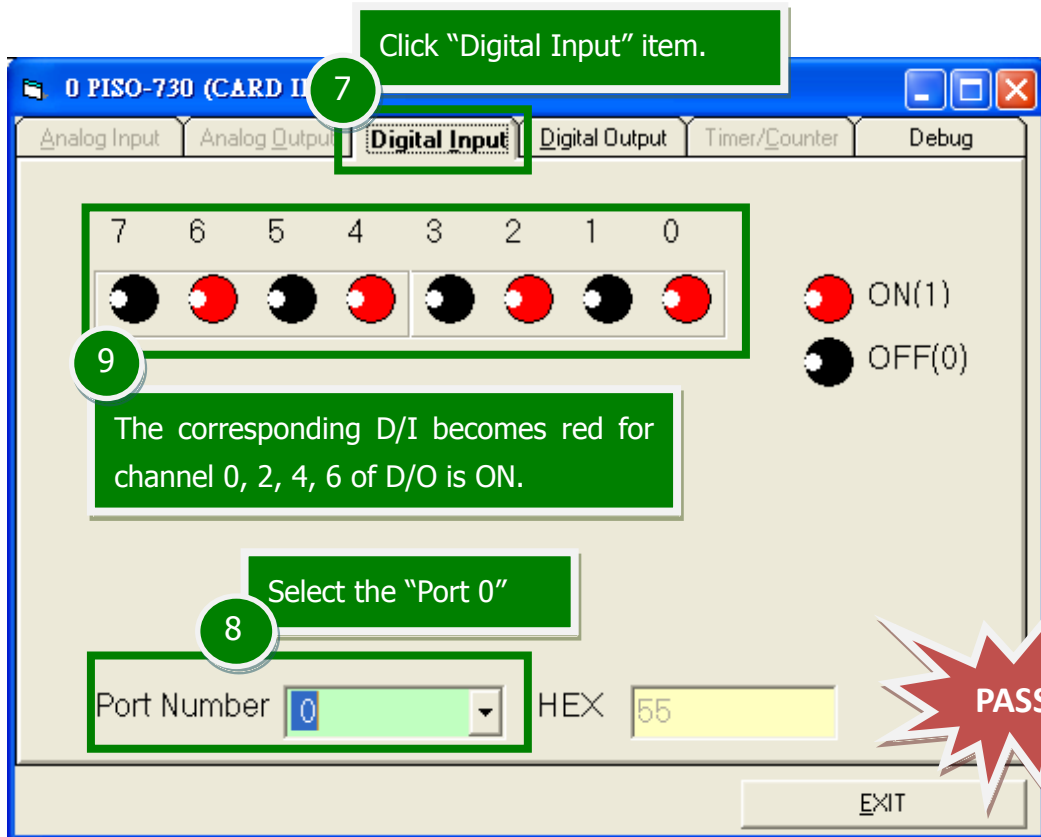
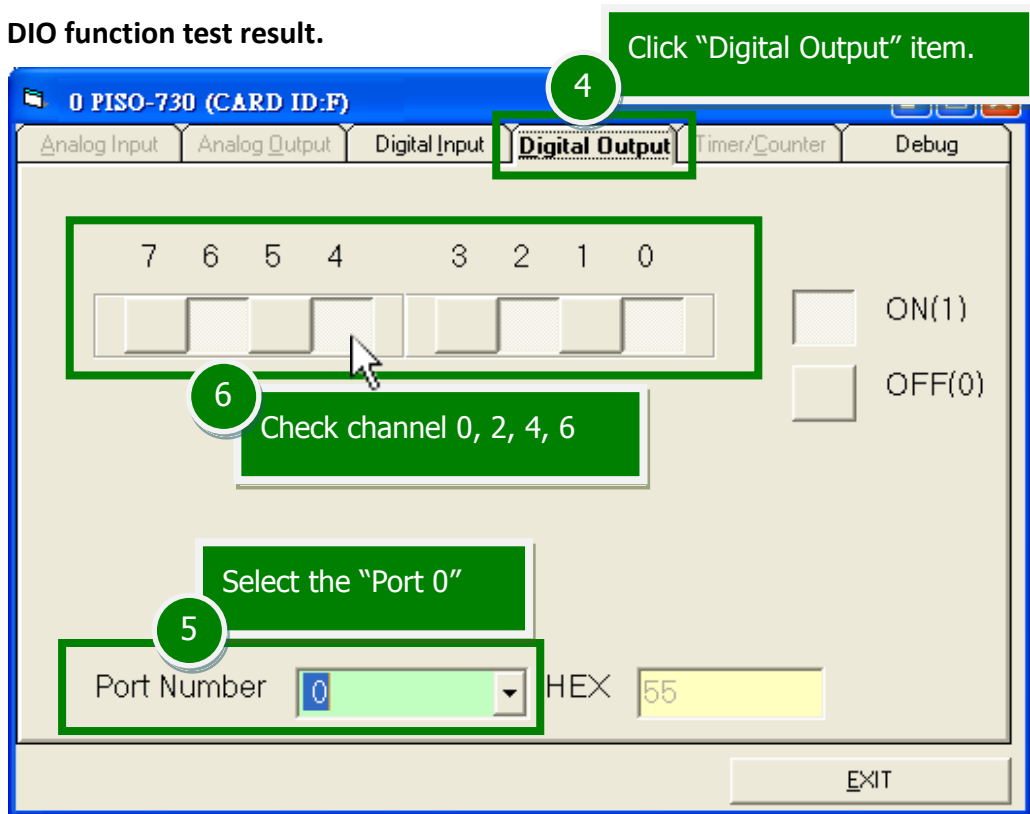
Figure 6-3

■ Execute the UniDAQ Utility as follows:

1. The UniDAQ Utility will be placed in the default path after completing installation.
The UniDAQ Utility.exe is located in:
C:\ICPDAS\UniDAQ\Driver\
(Default path).

The screenshot shows the ICP DAS UniDAQ DAQ Card Utility window. It displays the ICP DAS logo and a picture of a DAQ card. Below the logo, there is a list of installed devices. The first device is '0 PISO-730'. To the right of the list, there are buttons for 'TEST' and 'ABOUT'. At the bottom of the window, there is an 'EXIT' button. Three numbered callouts are present: 1. A green box with 'Double-Click' and '1' pointing to the 'UniDAQUtility' icon. 2. A green box with '2' pointing to the '0 PISO-730' device in the list. 3. A green box with '3' pointing to the 'TEST' button. A green arrow points from the 'UniDAQUtility' icon to the 'TEST' button. Instructional text boxes are overlaid on the screenshot: 'Click this button to start test.' (pointing to the TEST button) and 'Confirm the PISO-730 Series card had successfully installed to PC. It starts from 0.' (pointing to the device list).

2. Get DIO function test result.



7

Related Information

- PISO-730U/PISO-730U-5V/PEX-730/PISO-730A Card Product Page:
http://www.icpdas.com/root/product/solutions/pc_based_io_board/pci/piso-730.html
http://www.icpdas.com/root/product/solutions/pc_based_io_board/pci/piso-730a.html
- DN-37, CA-3710, CA-2002 and DP-665 page (optional):
http://www.icpdas.com/products/DAQ/screw_terminal/dn_37.htm
http://www.icpdas.com/products/Accessories/power_supply/dp-665.htm
http://www.icpdas.com/products/Accessories/cable/cable_selection.htm
- Documentation and Software:
CD:\NAPDOS\PCI\UniDAQ\
<http://ftp.icpdas.com/pub/cd/iocard/pci/napdos/pci/unidaq/>