



RU-87P1/2/4/8 Quick Start 1.00

ICP DAS, Co., LTD. www.icpdas.com

Original Writer : Martin Hsu
Last Editor : Eva Li, 10/09/2007

Package Checklist

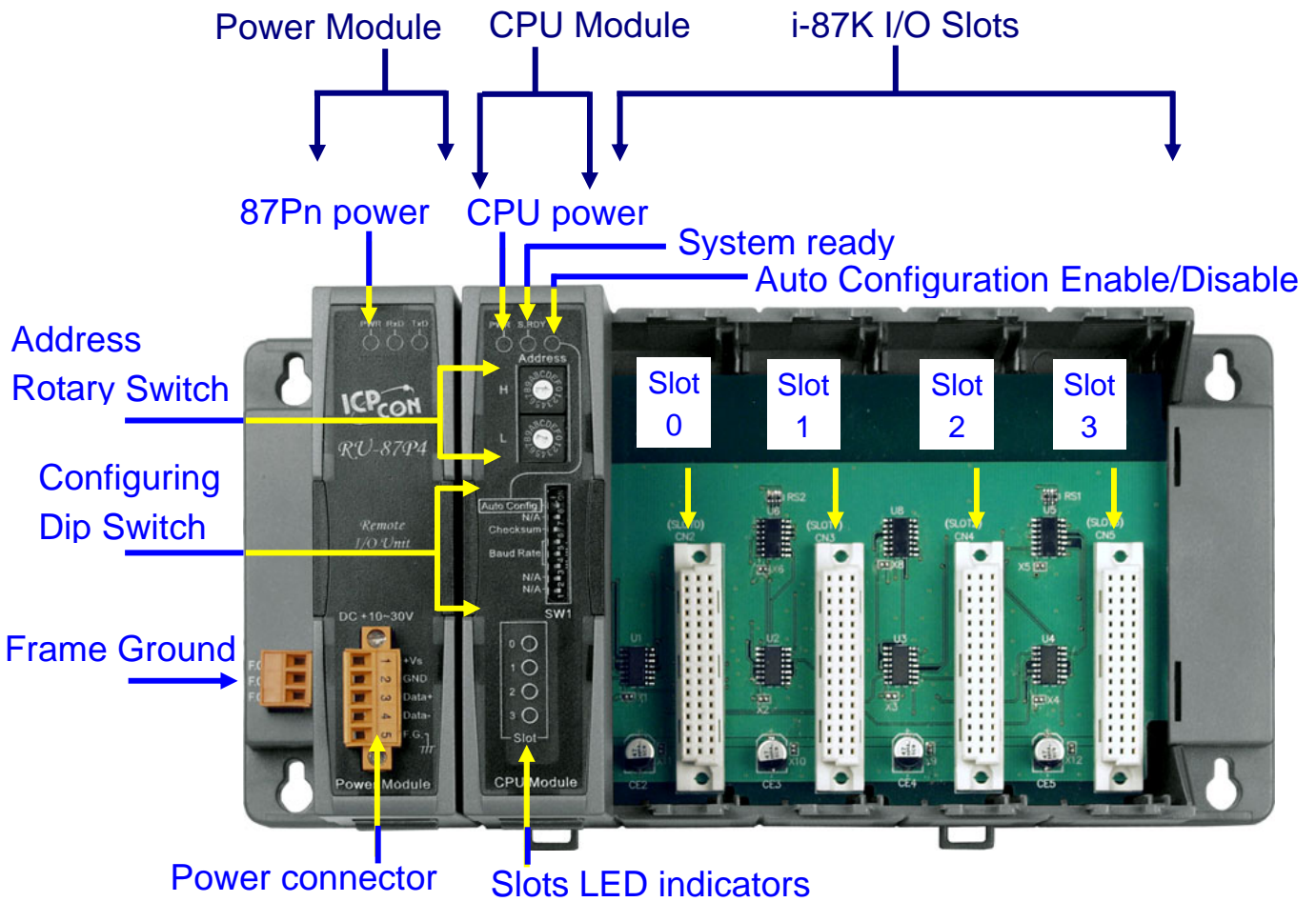
Items	Quantity	Model No.	Description
RU-87Pn	1	RU-87P1	Hardware module:
		RU-87P2	RS-485 Remote I/O Unit
		RU-87P4	P1: 1 slot P2: 2 slots
		RU-87P8	P4: 4 slots P8: 8 slots
Manual	1	-	Quick Start Manual (this manual)
CD	1	-	Software utility, RU-87Pn user manual
Screw Driver	1	-	2.4 mm Screw driver (minus style)

Preparation

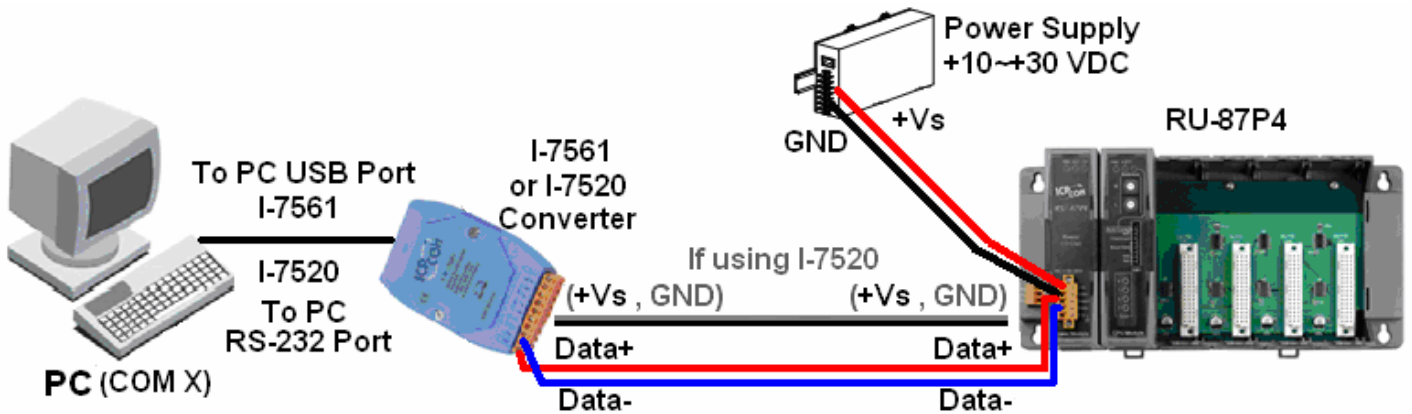
- Power Supply: +10V ~ +30V /DC (Ex: DP-665)
http://www.icpdas.com/products/Accessories/power_supply/power_list.htm
- Converter: RS-232 To RS-485 (Ex: i-7520) or USB to RS-485 (Ex: i-7561)
CD:\ Napdos\7000\Manual\7520.pdf or
http://www.icpdas.com/products/Industrial/communication_module/communication_list.htm
- Install the DCON Utility to PC (Version 4.5.0 or above version)
CD:\ Napdos\Driver\DCON_Utility or
ftp://ftp.icpdas.com/pub/cd/8000cd/napdos/driver/dcon_utility/

Hardware Configuration

1. View of the RU-87Pn



2. Wire the 87Pn to power and PC

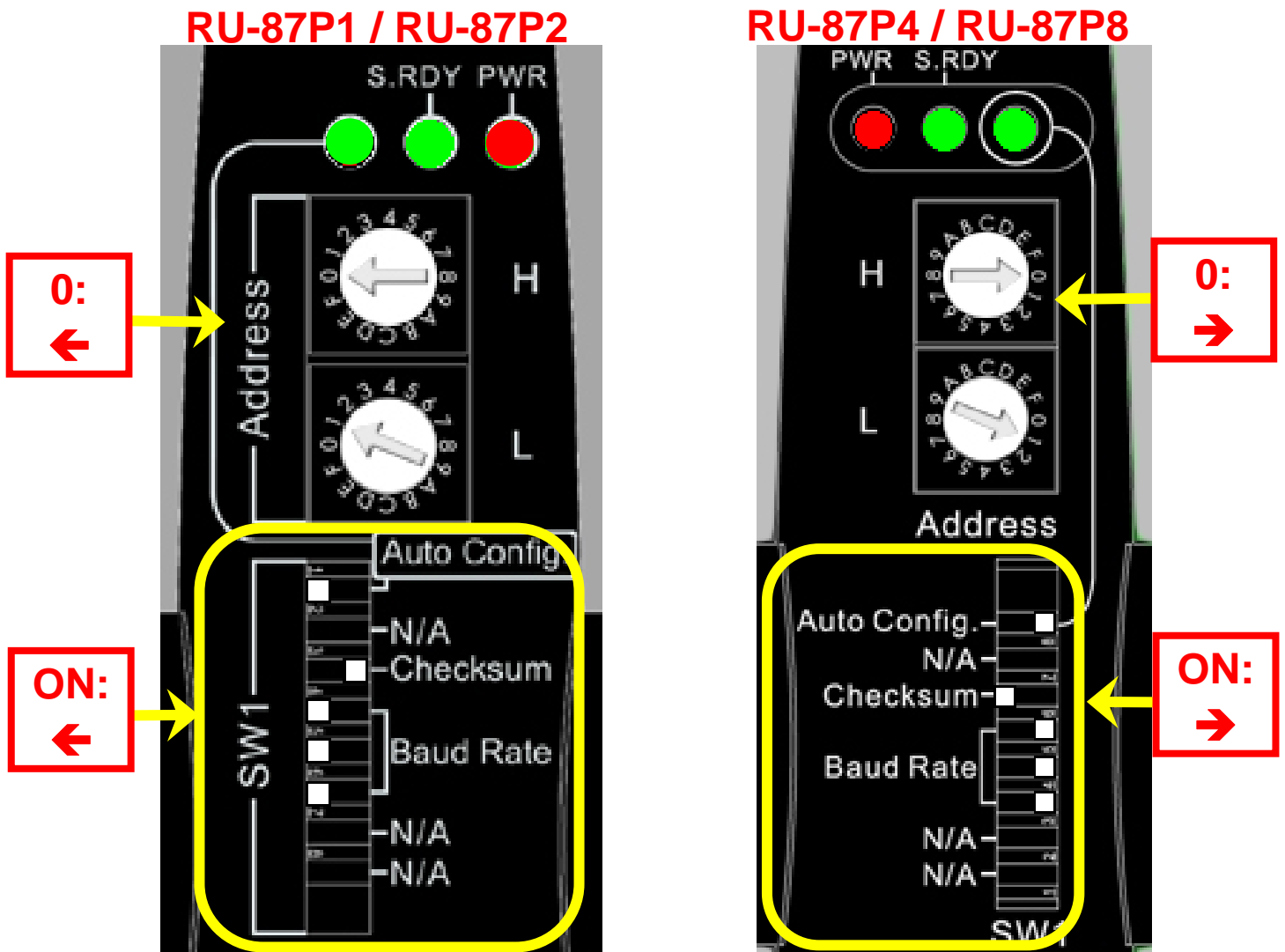


Note: If using I-7520, please supply power to I-7520.
(E.g. connect the I-7520 to RU-87Pn as figure).

3. Configure CPU module as following table.

Switch	Label	Setting	Description
Rotary Switch (Address)	H	0	Net address = 1 H: High Byte L: Low Byte
	L	1	
Dip Switch (SW1)	Auto Config.	ON	Enable
	Checksum	OFF	Disable
	Baud Rate	ON, ON, ON	115200

Note: The ON of Dip Switch for 87P1 & 87P2 are switching to the **left**, for 87P4 & 87P8 are to the right. (P1/P2: ON←) (P4/P8: ON→)



Use Rotary Switch and Dip Switch to configure the parameters for 87Pn CPU module.

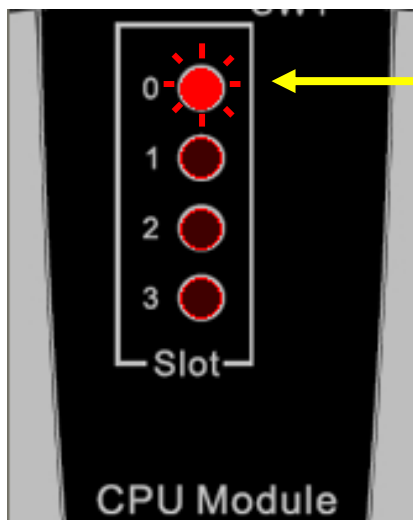
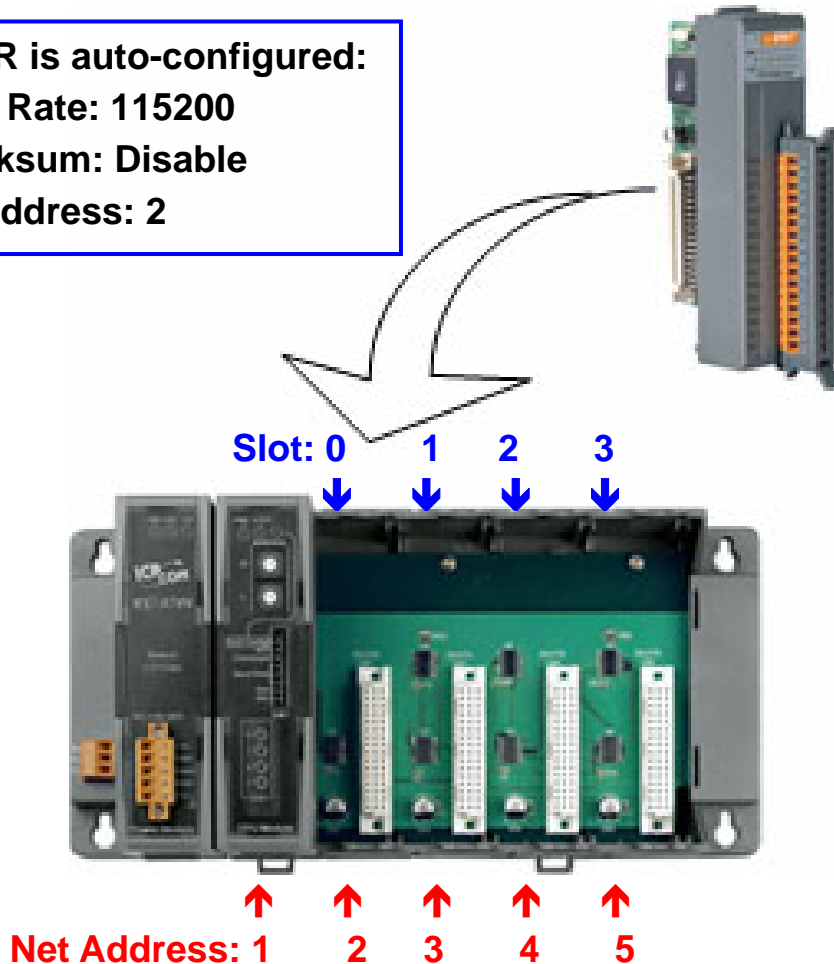
4. Plug in the I/O modules

Example: Plug in i-87019R to Slot 0

p.s. i-87019R is an AI (Analog Input) High Profile module

i-87019R is auto-configured:

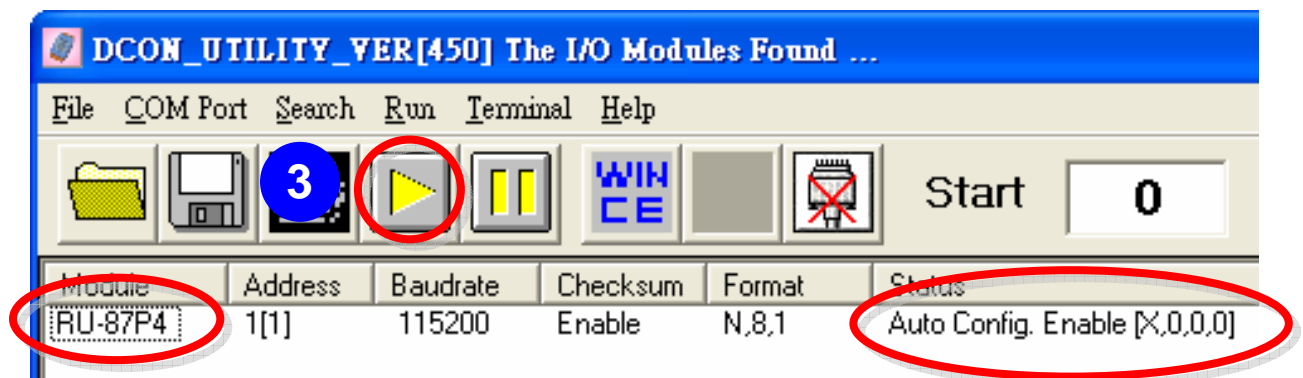
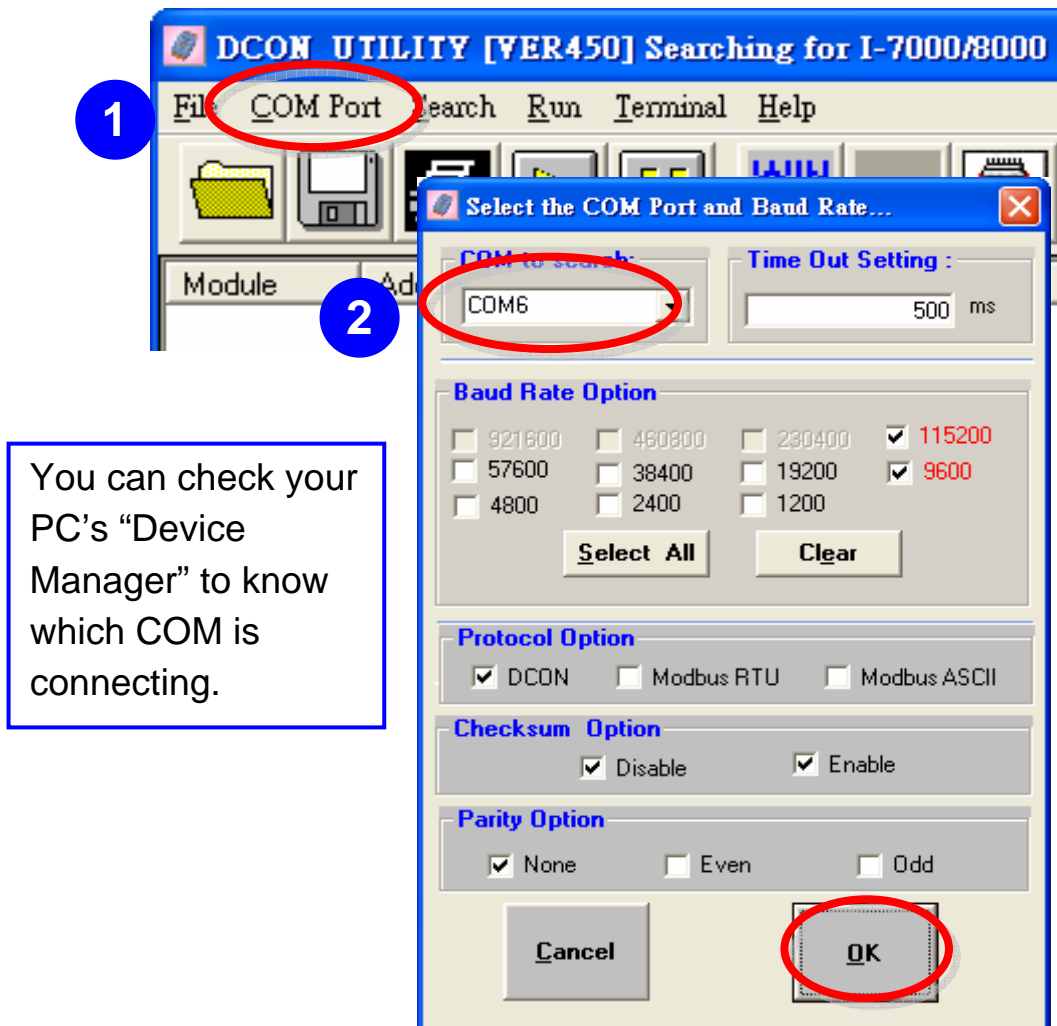
Baud Rate: 115200
Checksum: Disable
Net Address: 2




- After plugged in, the slot indicator is flashing per 100 ms.
- When configuration is completed, the LED becomes off.
- If configuration is failed, the LED is always on.

➔ Software Configuration

1. Run DCON Utility to Search the RU-87Pn



When found RU-87Pn, click  to stop search.
"[X,0,0,0]" of "Status" means "The configuration of that slot is not completed or corrected."

2. Click “RU-87Pn” to setup slots

NOTE:
If the status code is not [01H], click **Help** button and follow the instruction please.

I/O Write To 87P4	Addr.[Hex]	Slot Configuration	Buttons
0 Empty	02	[01H] Module scanned in Empty slot	Set As Scanned, Configure
1 Empty	03	[00H] OK	Configure
2 Empty	04	[00H] OK	Copy, Configure
3 Empty	05		
4 -	-		
5 -	-		
6 -	-		
7 -	-		

Buttons at the bottom: Save Configuration, Load Configuration, Load Configuration And Write To 87PX, Help

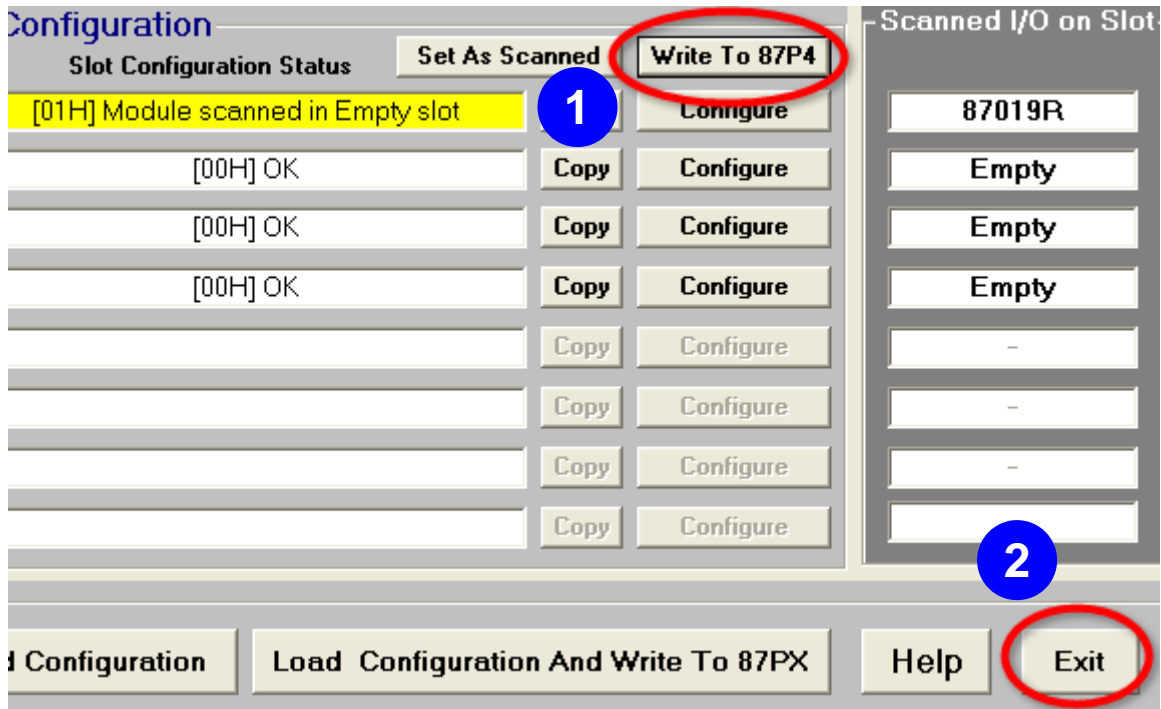
3. Configure the 87K I/O module

FOR EXAMPLE i-87019R:
Set data format (ex: Engineering) and range (ex: T/C K-type) as user's requirement.

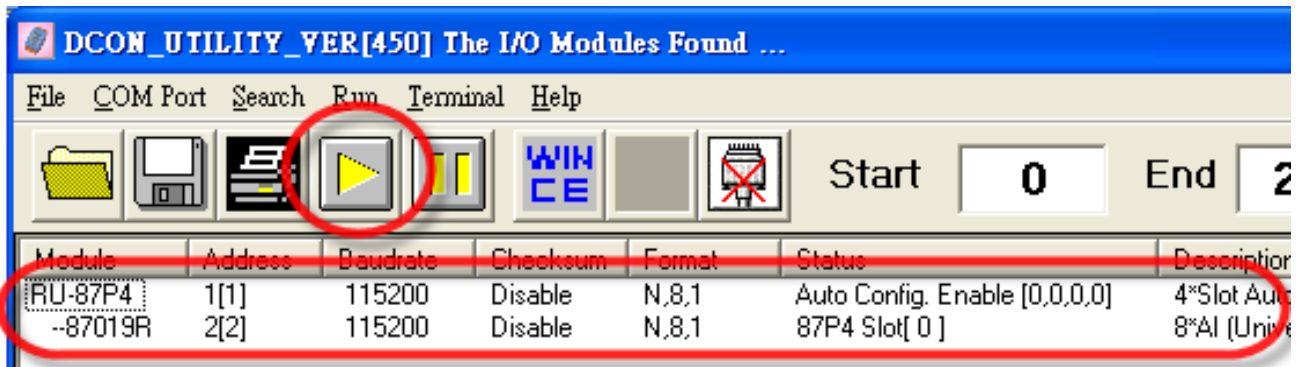
Buttons at the bottom: Clear All, Set All as CH:0, Exit

Message box: The configuration of 87019 at slot 0 may have been changed. Please click [Write To 87P4] to write the configuration to 87P4. Don't show this message next time. OK

4. Click “Write To 87Pn” button



5. Click “Start Search” button



Now the configuration is done!

“[0,0,0,0]” of “Status” means “The I/O configuration of each slot is correct. Each plugged I/O module will be listed under the RU-87Pn. User can click the name of I/O module to see its configuration.

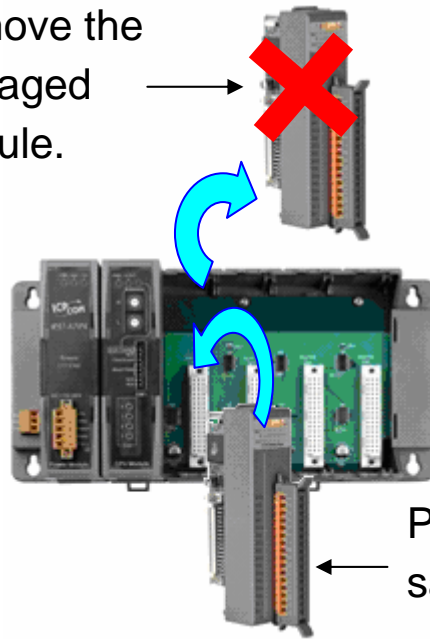
Note:

1. For changing the configuration of 87K I/O module, please repeat from the **STEP 2** of the **Software Configuration**.

Change the hardware I/O module

User doesn't need to configure I/O module again!

Remove the
damaged
module.



Plug in a new one with the
same model number.

Easy! Convenient!

Technical Support

1. RU-87P1/2/4/8 User Manual
CD:\NAPDOS\87Pn_io_unit\RU-87Pn or
ftp://ftp.icpdas.com/pub/cd/8000cd/napdos/87pn_io_unit/ru-87pn/
2. DCON Utility User Manual
CD:\Napdos\Driver\DCON_Utility\Manual or
ftp://ftp.icpdas.com/pub/cd/8000cd/napdos/driver/dcon_utility/manual/
3. I-87K high profile series I/O modules selection guide
http://www.icpdas.com/products/PAC/i-8000/8000_IO_modules.htm
4. Our service email account : service@icpdas.com
5. Our website : www.icpdas.com