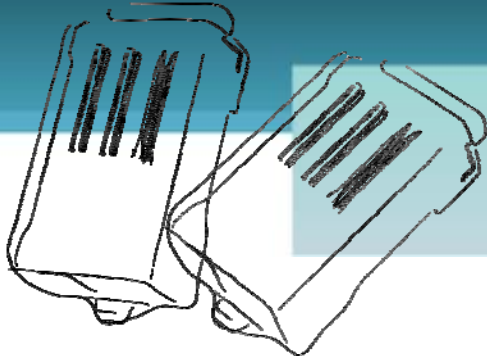


# tET/tPET SERIES QUICK START GUIDE



*For tET-A4/tPET-A4*

English/ December 2012/ Version 1.0

## 1 What's in the shipping package?

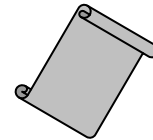
The package includes the following items:



tET-A4 or  
tPET-A4



Software CD



Quick Start Guide  
(This Document)

## 2 Preparations for devices

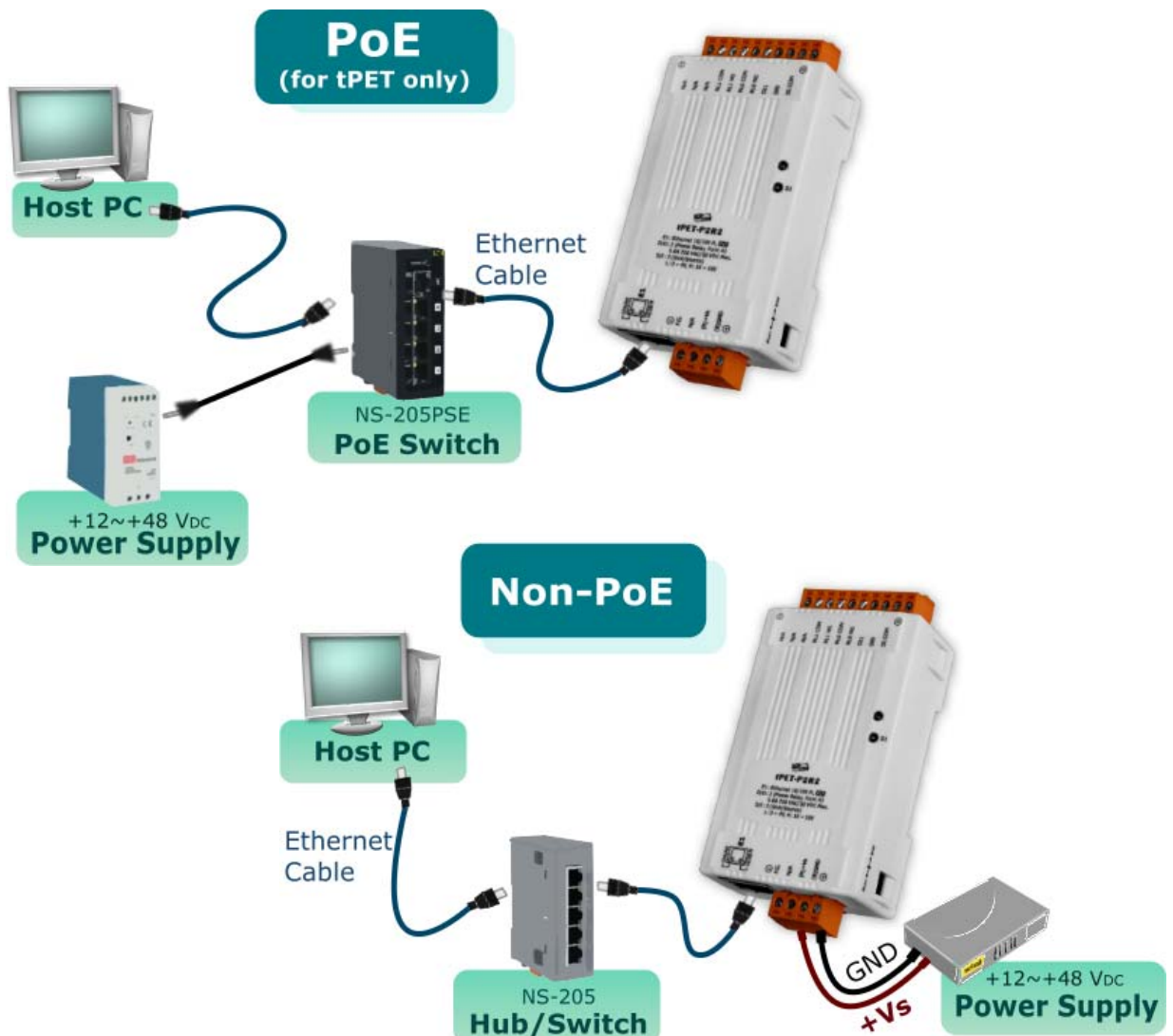
1. Power Supply: **+12 ~ +48 V<sub>DC</sub>**
2. Ethernet Hub. (PoE Ethernet Switch for tPET module only)
3. Make sure your PC has workable network settings.
4. Disable or well configure your Windows firewall and Anti-Virus firewall first, else the "**Search Servers**" on page 5 may not work. (Please contact with your system Administrator)

# 3 Connecting the Power and Host PC

1. Check Init/Run switch is on "RUN" position.



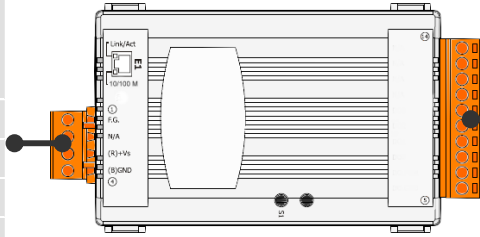
2. Connect both the tET/tPET-A4 and your computer to the same sub network or the same Ethernet Switch, and power tET/tPET-A4 on.



# 4 Pin Assignments and Wiring Note

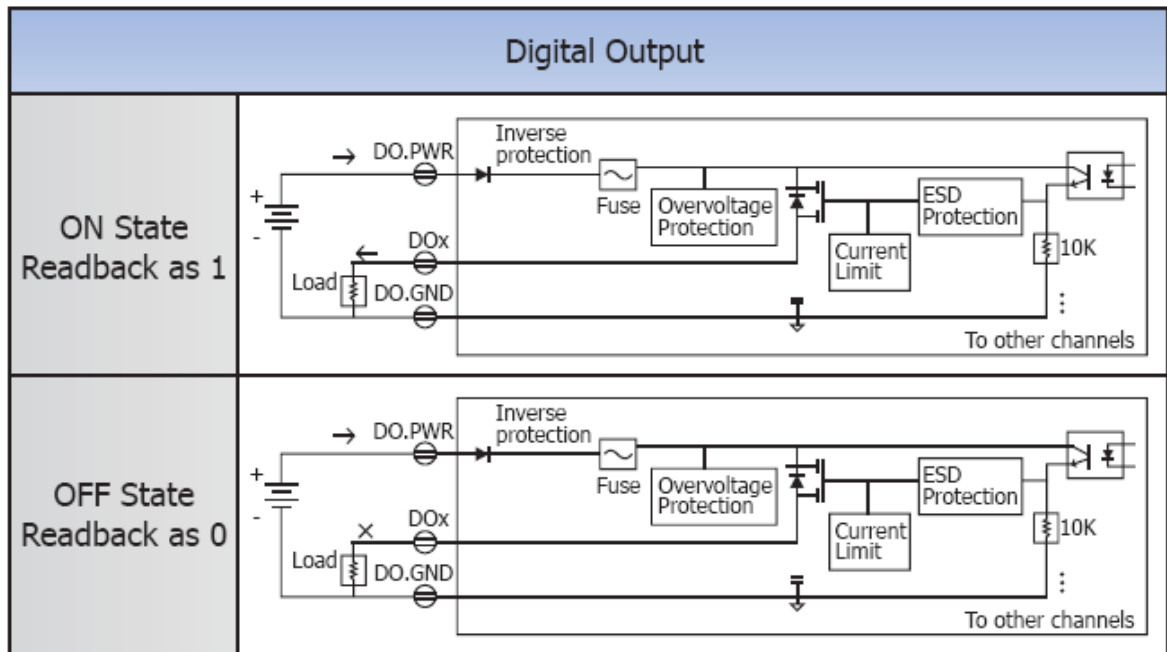
## Pin Assignments

Terminal No.	Pin Assignment
E1	Link/Act 10/100 M
01	F.G.
02	N/A
03	(R) +Vs
04	(B) GND



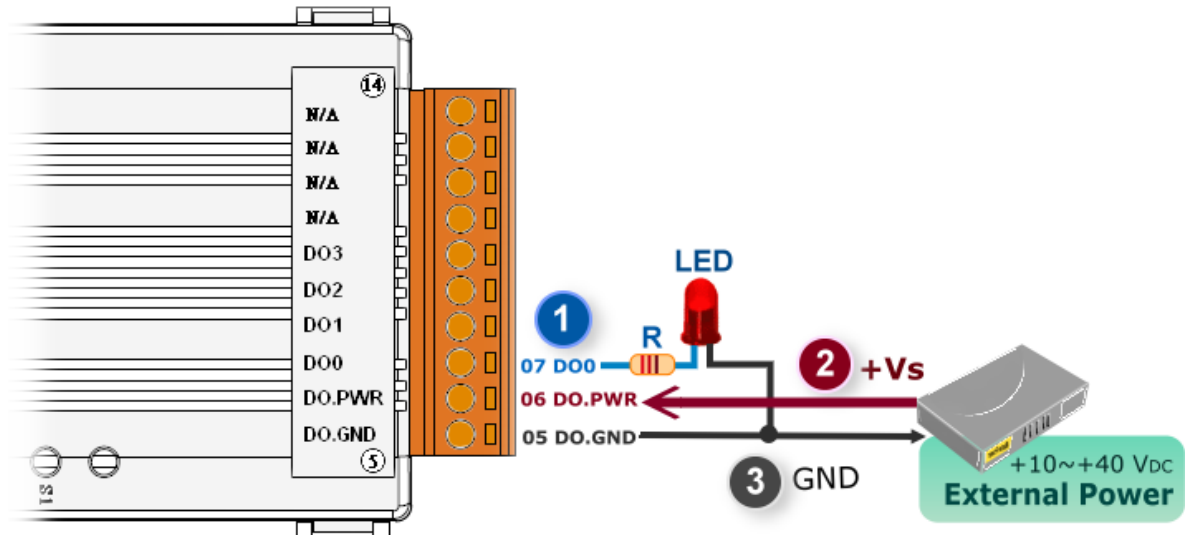
Terminal No.	Pin Assignment
14	N/A
13	N/A
12	N/A
11	N/A
10	DO3
09	DO2
08	DO1
07	DO0
06	DO.PWR
05	DO.GND

## Digital Output Wiring



■ Wire the outputs LED and DO for self test. The wiring as follows:

1. Use output LED to connect the **DO.GND (Pin05)** and **DO0 (Pin07)**.
2. Connect the **External Power +24V** and **DO.PWR (Pin06)**.
3. Connect the **External Power GND** and **DO.GND (Pin05)**.



■ DO Modbus Address

(0xxxx) DO address:

Begin address	Points	Description	Bits per Point	Range	Access Type
0 (0x0)	4	Digital Output	1	0: Off 1: On	R/W
.	.	.	.	.	.
235 (0xEB)	4	Power-on value for DO	1	0=Off 1=On	R/W/F
267 (0x10B)	4	safe value for DO	1	0=Off 1=On	R/W/F

**i** For detail "DO Modbus Address" information, please refer to section **5.3 Modbus Register Map** of user's manual. CD: \NAPDOS\tPET\Document\  
<http://ftp.icpdas.com/pub/cd/tinymodules/napdos/tPET/document/>

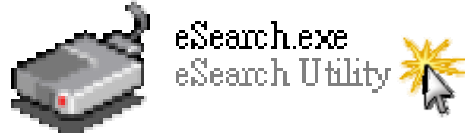
# 5

## Configuring Ethernet Settings

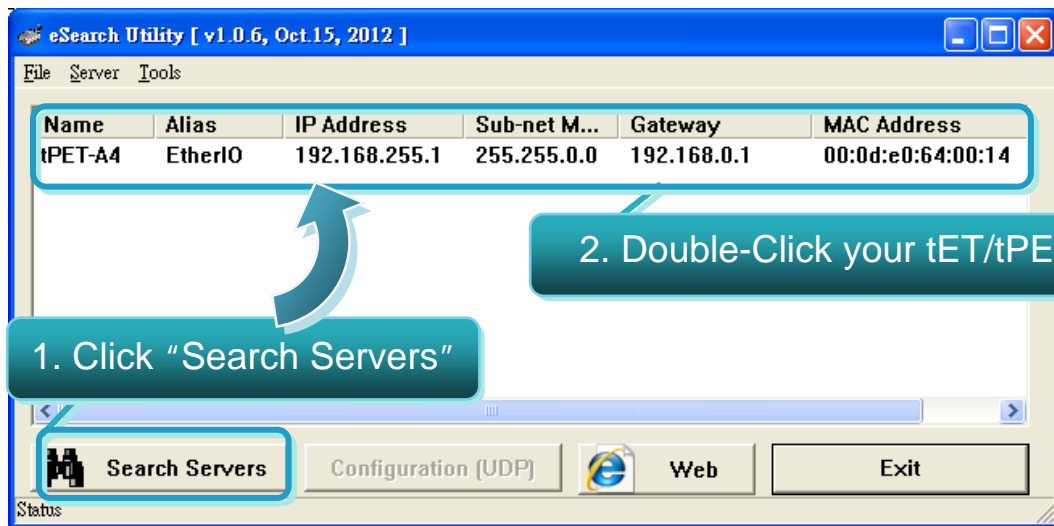
1. Run the eSearch Utility.

The eSearch Utility is located at:  
CD:\Napdos\Software\eSearch\

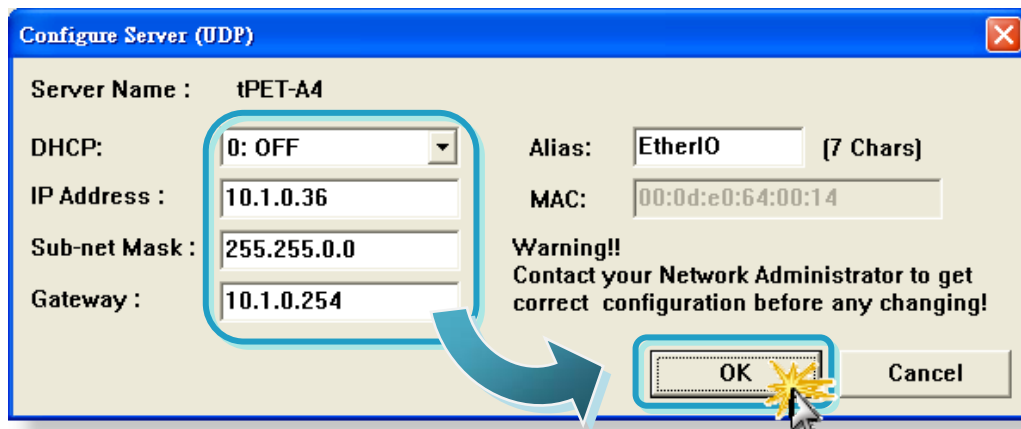
<http://ftp.icpdas.com/pub/cd/tinymodules/napdos/software/esearch/>



2. Click "Search Servers" button to search your tET/tPET-A4.
3. Double-Click your tET/tPET-A4 to configure the settings.



4. Contact your Network Administrator to get correct network configuration. Modify the network settings and then click "OK" button. The tET/tPET-A4 will restart it-self immediately.

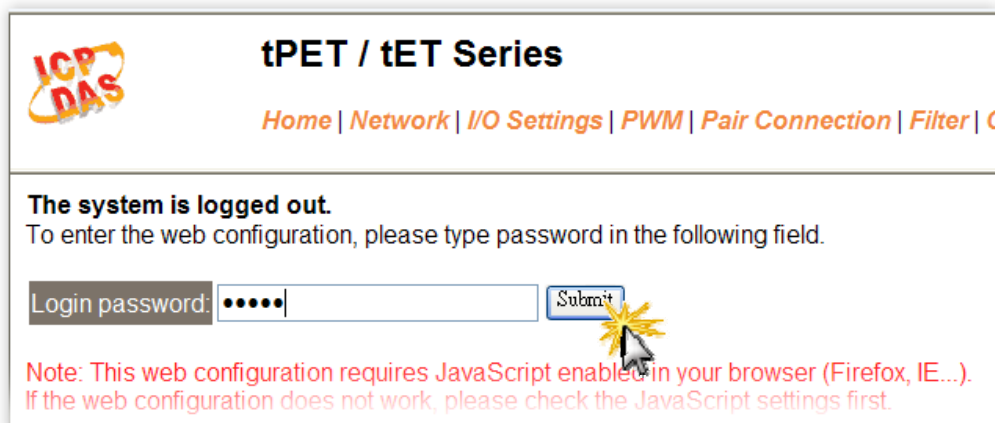


# 6 Testing your tET/tPET Module

1. Wait 2 seconds and then click the **“Search Servers”** button again to ensure the tET/tPET-A4 is working well with new configuration.
2. Click the **“Web”** button to link the tET/tPET-A4 web server.

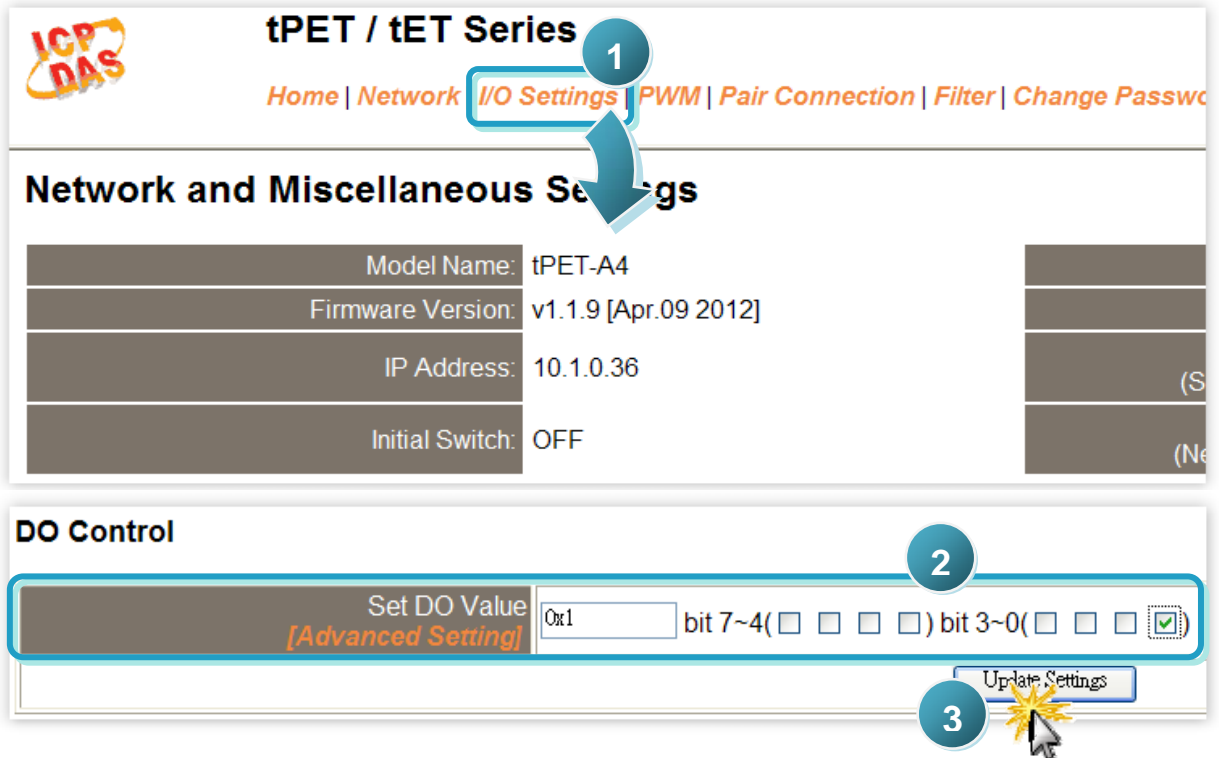


3. Enter the password and click the **“Submit”** button to enter the configuration web page. (The factory default password: **Admin**)



#### 4. Control the I/O for simple test.

- In the **I/O Setting** page, check the **"bit0"** checkbox for setting **ON** to **DO0** and click **"Update Settings"** button.



**tPET / tET Series**

Home | Network | **I/O Settings** | PWM | Pair Connection | Filter | Change Password

### Network and Miscellaneous Settings

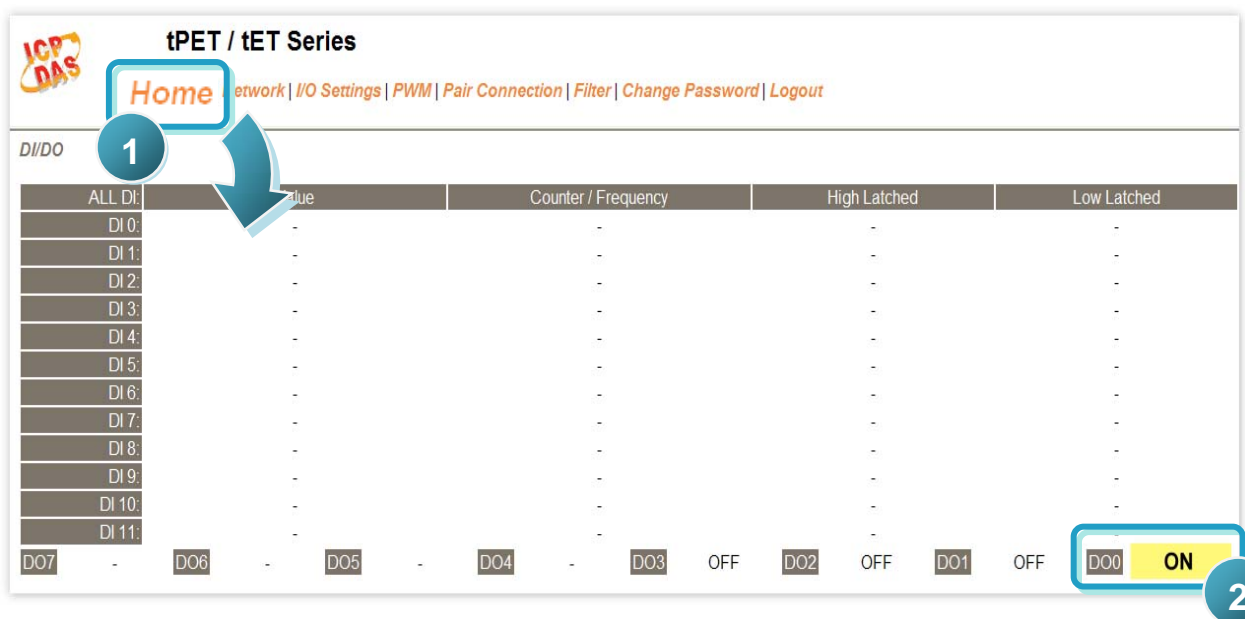
Model Name:	tPET-A4
Firmware Version:	v1.1.9 [Apr.09 2012]
IP Address:	10.1.0.36
Initial Switch:	OFF

### DO Control

Set DO Value [Advanced Setting] Out1 bit 7~4(     ) bit 3~0(     )

Update Settings

- In the **Home** page, check that the **DO0** status should show current status are **"ON"**.



**tPET / tET Series**

Home | Network | I/O Settings | PWM | Pair Connection | Filter | Change Password | Logout

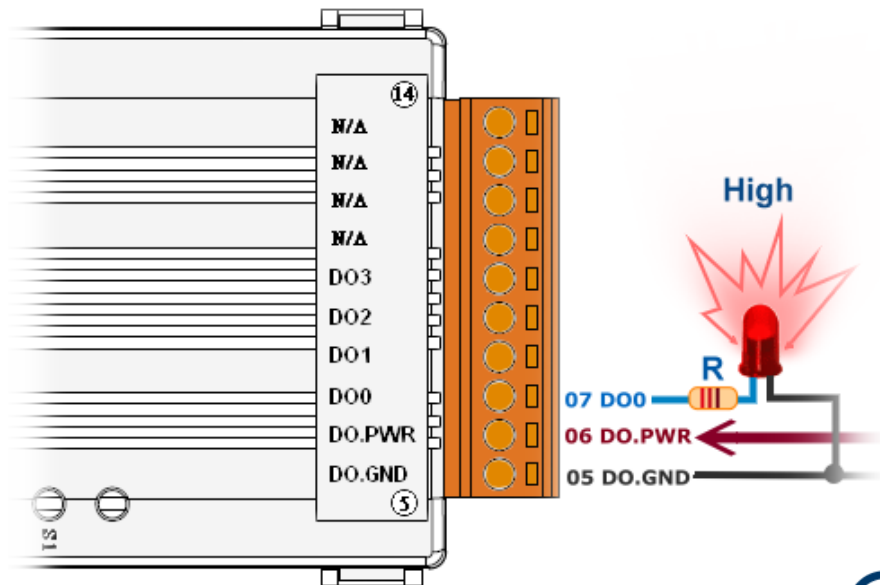
### DI/DO

ALL DI	Value	Counter / Frequency	High Latched	Low Latched
DI 0:	-	-	-	-
DI 1:	-	-	-	-
DI 2:	-	-	-	-
DI 3:	-	-	-	-
DI 4:	-	-	-	-
DI 5:	-	-	-	-
DI 6:	-	-	-	-
DI 7:	-	-	-	-
DI 8:	-	-	-	-
DI 9:	-	-	-	-
DI 10:	-	-	-	-
DI 11:	-	-	-	-

DO7	-	DO6	-	DO5	-	DO4	-	DO3	OFF	DO2	OFF	DO1	OFF	DO0	ON
-----	---	-----	---	-----	---	-----	---	-----	-----	-----	-----	-----	-----	-----	----



5. Check DO0 (Pin07) of output LED state for high.



Complete

## Related Information

- **tET-A4/tPET-A4 Series Product Page:**  
[http://www.icpdas.com/products/Remote\\_IO/petl-7000/tpet-c4a4.htm](http://www.icpdas.com/products/Remote_IO/petl-7000/tpet-c4a4.htm)
- **tET/tPET Series Documentations:**  
CD:\Napdos\tPET\document\  
<http://ftp.icpdas.com/pub/cd/tinymodules/napdos/tPET/document/>
- **tET/tPET Series Firmware:**  
CD:\Napdos\tPET\firmware\  
<http://ftp.icpdas.com/pub/cd/tinymodules/napdos/tPET/firmware/>
- **NS-205, NS-205PES Product Page (optional):**  
<http://www.icpdas.com/products/Switch/industrial/ns-205.htm>  
<http://www.icpdas.com/products/Switch/industrial/ns-205pse.htm>



ICP DAS Web Site: <http://www.icpdas.com.tw/>  
Contact Us (E-Mail): [service@icpdas.com](mailto:service@icpdas.com) , [service.icpdas@gmail.com](mailto:service.icpdas@gmail.com)

Copyright @ 2012 by ICP DAS Co., Ltd. All Rights Reserved.