

VP-2000/VH-2000 Quick Start Guide

C Language Based ViewPAC (MiniOS7 Inside)

Version 1.0.3, December 2011

Congratulations!

Congratulations on purchasing View PAC – the most popular automation panel solution for remote monitoring and control application, to give you all the best features of HMIs and PLCs. This Quick Start Guide will provide information needed to get started with View PAC. Please also consult the User Manual for detailed information on the setup and use of View PAC.

Technical Support

➤ **VP-2000/VH-2000 User Manual**

CD:\NAPDOS\vp-2000\document\

<http://ftp.icpdas.com/pub/cd/8000cd/napdos/vp-2000/document/>

➤ **VP-2000/VH-2000 Demo Reference**

CD:\NAPDOS\vp-2000\demo\

<http://ftp.icpdas.com/pub/cd/8000cd/napdos/vp-2000/demo/>

➤ **View PAC Website**

<http://www.icpdas.com/products/PAC/viewpac/introduction.htm>

➤ **ICP DAS Website**

<http://www.icpdas.com/>

What's in the box?

In addition to this guide, the package includes the following items:



VP-2111/VH-2111



Expansion I/O Sockets * 3



Software Utility CD



CA-0915 (RS-232 Cable)



RJ-45 Waterproofing Kit



Panel Clips * 5

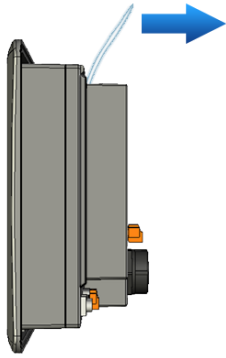


Screw Driver

1 Remove the Slot Cover

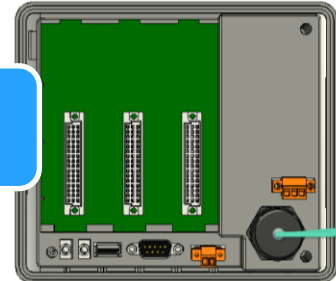
The View PAC has a slot cover to protect the internal components from damage during shipping. Before starting any installation, please first remove the slot cover.





- 1) Hold the top of View PAC.
- 2) Pull the plastic wrap.

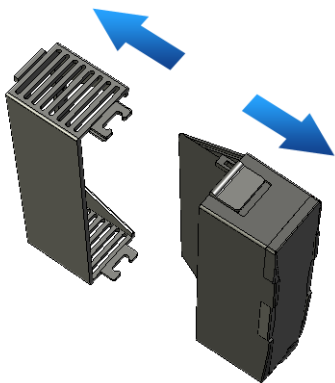
The slot cover has been removed



2 Installing Expansion I/O Sockets

The case (a socket and a top case) is included in the package.

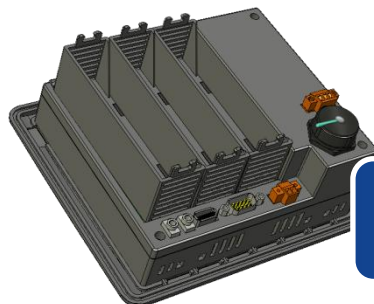
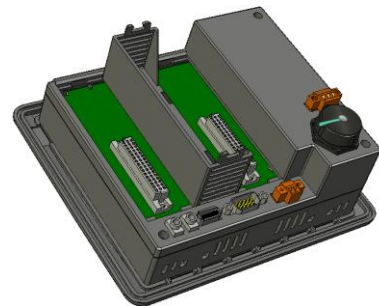
- 1) Take the socket out from the case.



- 2) Padlock the bottom of the socket into the View PAC.



- 3) Slide the socket into the View PAC until it clicks.



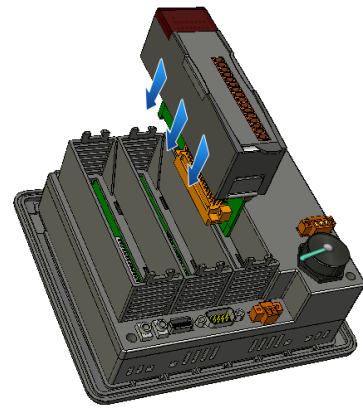
The Expansion I/O socket has been installed

3 Inserting the I/O Module

View PAC supports various types of I/O expansion modules for interfacing many different field devices.

For more information about I/O expansion modules, please refer to:

http://www.icpdas.com/products/PAC/winpac/io_support_list.htm



- 1) Hold the I/O module vertically and align the socket.
- 2) Carefully press the I/O module onto the socket.

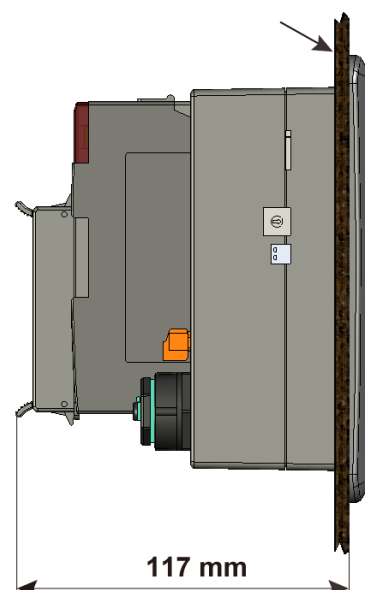


If you do not expand the I/O module full, please keep the top case of the unused slot to protect the backplane from dirt, dust and damage from foreign objects.

4 Mounting the Hardware

The View PAC can be mounted on a panel of maximum thickness 12 mm. Adequate access space can be available at the rear of the instrument panel for wiring and servicing purposes.

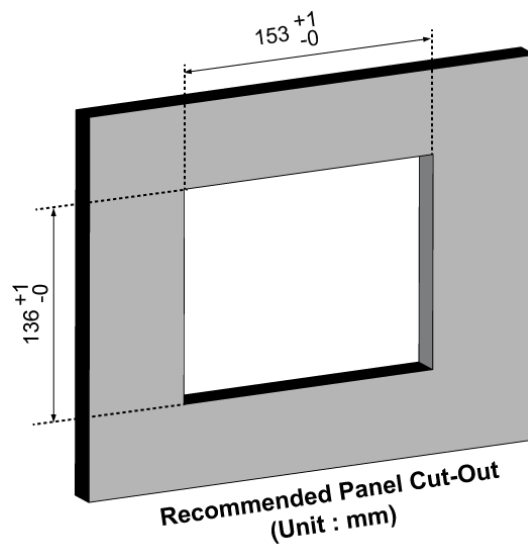
Panel thickness up to 12 mm



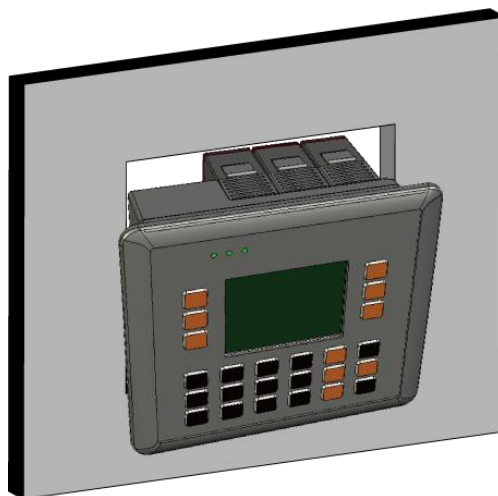


To ensure proper ventilation for your View PAC, leave a minimum of 50mm space between the top and bottom edges of the View PAC and the enclosure panels.

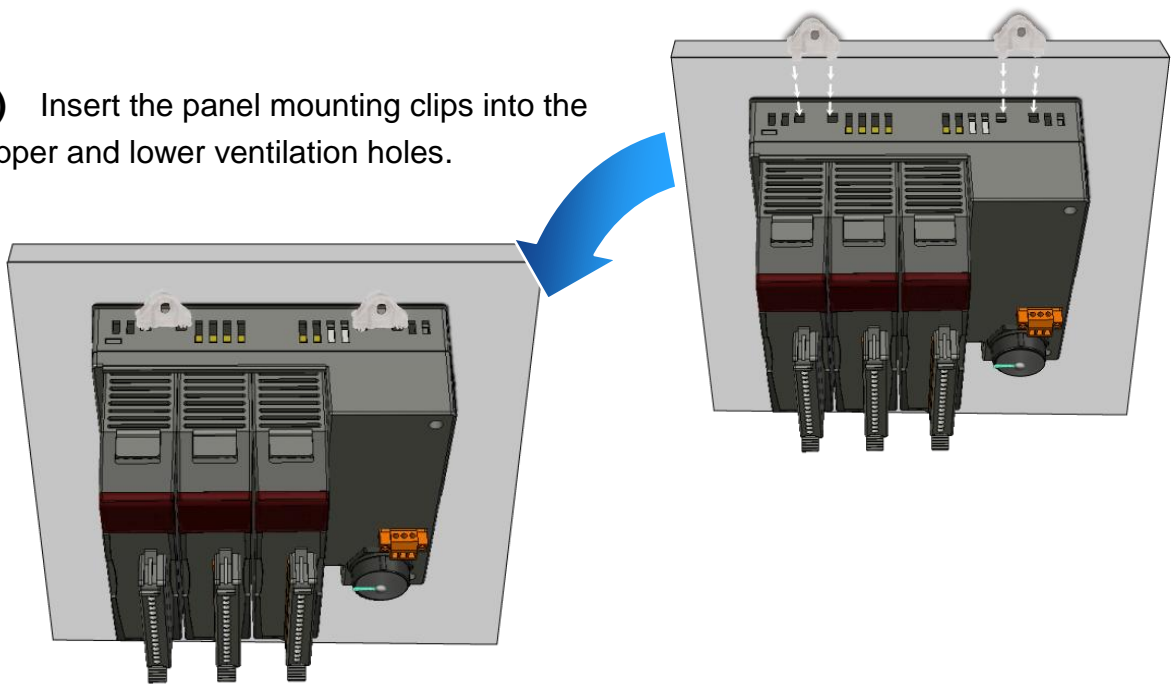
- 1) Prepare the panel and cut the hole to the specified size.



- 2) Attach the View PAC to the cut-out hole.



3) Insert the panel mounting clips into the upper and lower ventilation holes.

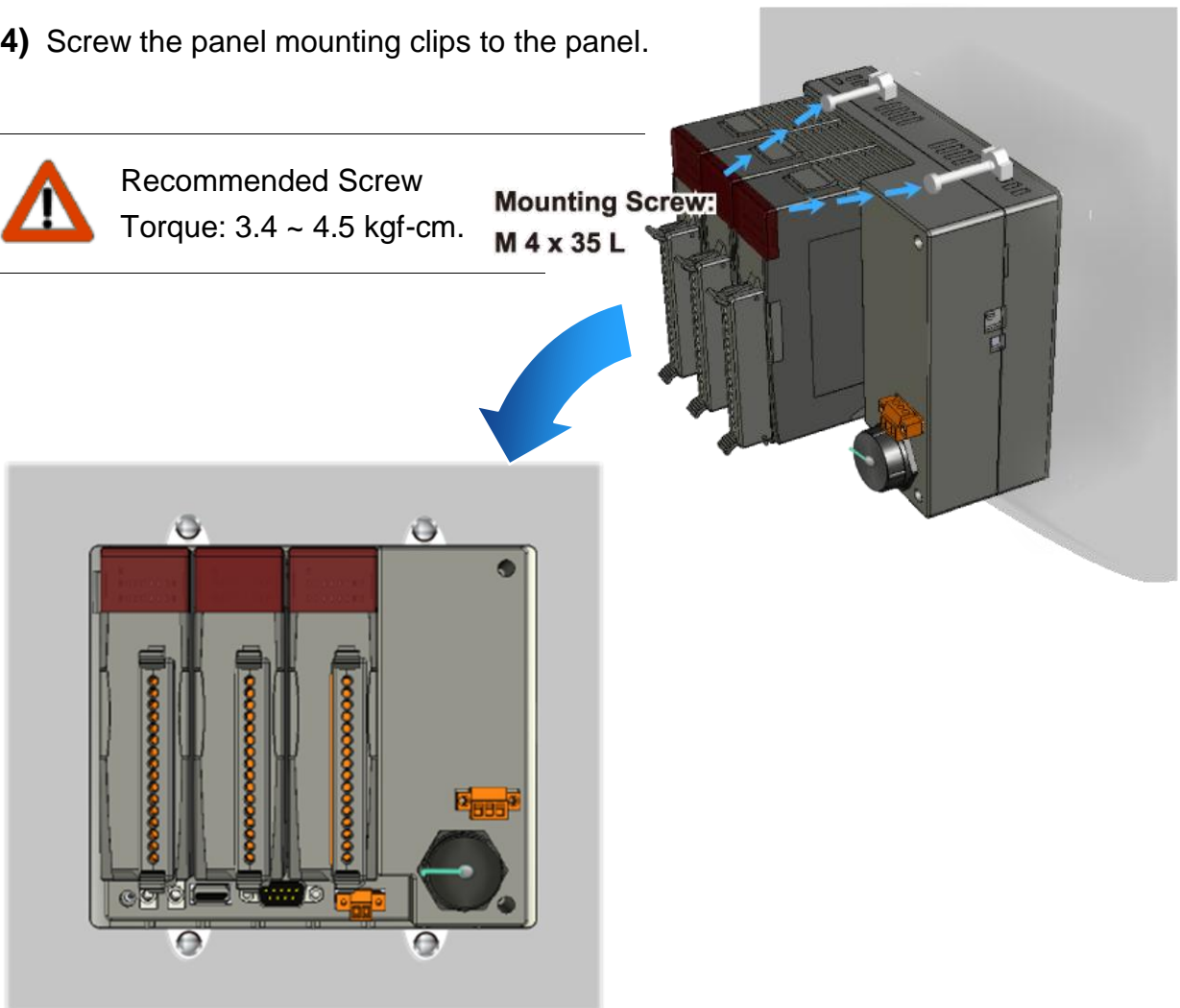


4) Screw the panel mounting clips to the panel.



Recommended Screw
Torque: 3.4 ~ 4.5 kgf-cm.

Mounting Screw:
M 4 x 35 L

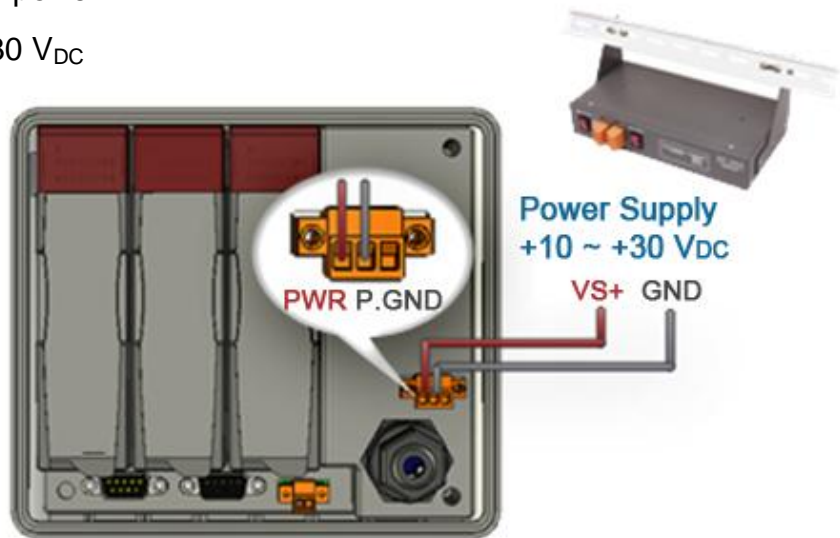


5 Powering up the View PAC

Connect the positive terminal (+) of the power supply to the terminal PWR and the negative terminal (-) of the power supply to the P.GND.



The input range of power supply is +10 ~ +30 V_{DC}



6 Starting the View PAC

When you turn on your View PAC, it will automatically be on the Home screen, you can use the programmable keys listed below to quickly check out all the View PAC advantages.

Test LCD ----- F1
Test KeyPAD ----- F2
Show BMP File ----- F3
Traditional Chinese ----- F4
Simplified Chinese ----- F5
Quit ----- F6



7 Developing your own View PAC

View PAC has many advantages if you know how to get it. The user manual provides guidelines for developing and maintaining your own View PAC.

