



# XP-8x31-CE6 Quick Start

Version 1.0, August 2016

## Supported Modules

- XP-8131-CE6
- XP-8331-CE6
- XP-8731-CE6

## What's in the Box?

In addition to this guide, the package includes the following items:



XP-8x31-CE6



CF slot  
with a CF card



Software  
Utility CD



Screw Driver  
2.4 mm

## Technical Support

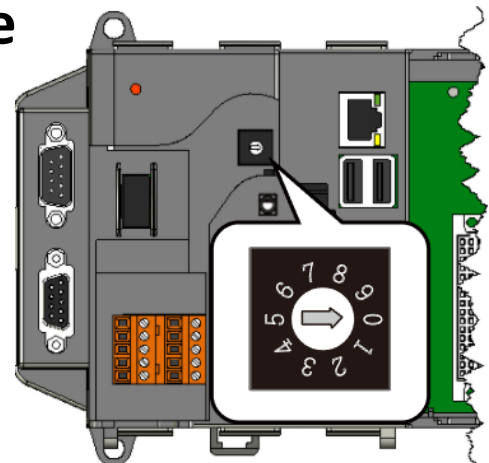
- **XP-8000-CE6 User Manual**

CD:\XP-8X3X-CE6\Document\User\_Manual\

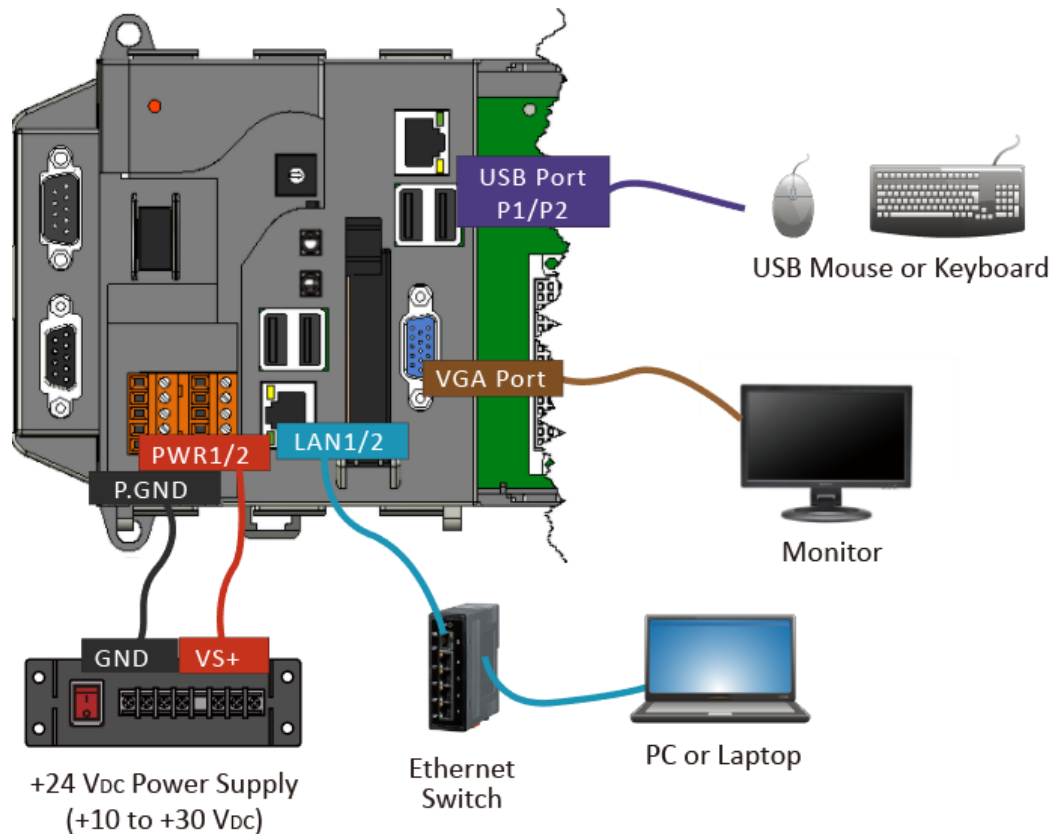
[http://ftp.icpdas.com/pub/cd/xp-8x3x-ce6/document/user\\_manual/](http://ftp.icpdas.com/pub/cd/xp-8x3x-ce6/document/user_manual/)

# 1 Configuring the Boot Mode

Before starting any installation, be sure that the switch is placed in the 『0』 position.



## 2 Connecting to PC, Monitor and Power Supply

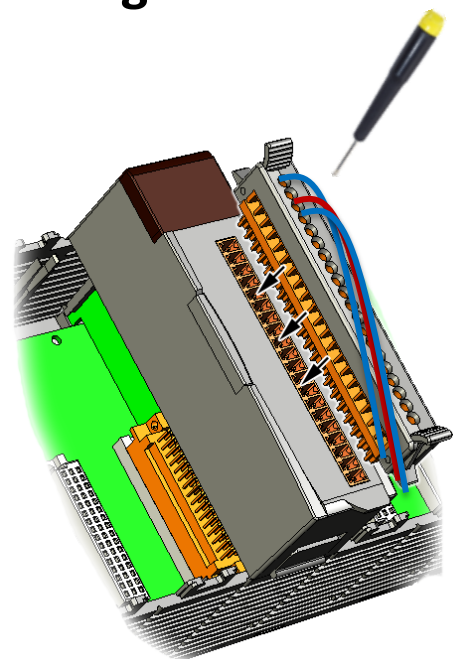


## 3 Inserting the I/O Module and Wiring Connection

XP-8131-CE6/XP-8331-CE6/XP-8731-CE6 has 1/3/7 I/O expansion slots and only supports I-8K and I-87K series I/O modules.

For more information about this expansion I/O modules, please refer to

[http://www.icpdas.com/root/product/solutions/pac/ippc/pac-family\\_io\\_expansion.html](http://www.icpdas.com/root/product/solutions/pac/ippc/pac-family_io_expansion.html)



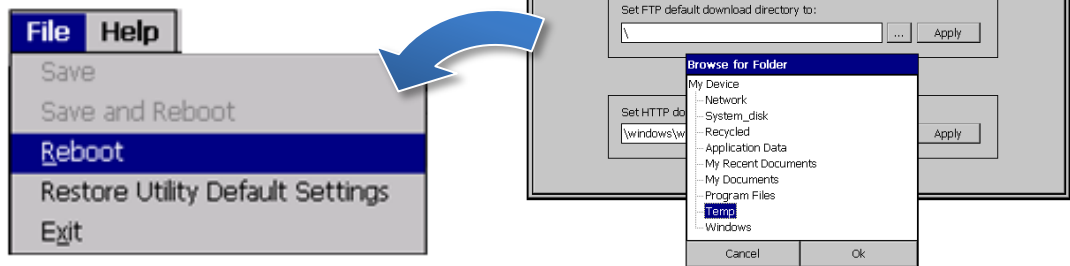
# 4

## Using XPAC Utility to Manage the XP-8x31-CE6

Step 1: Double-click the XPAC Utility on the desktop

Step 2: Configure IP address (DHCP), FTP Server, Auto Execution files..., etc

Step 3: Reboot the XP-8x31-CE6 for changes to take effect



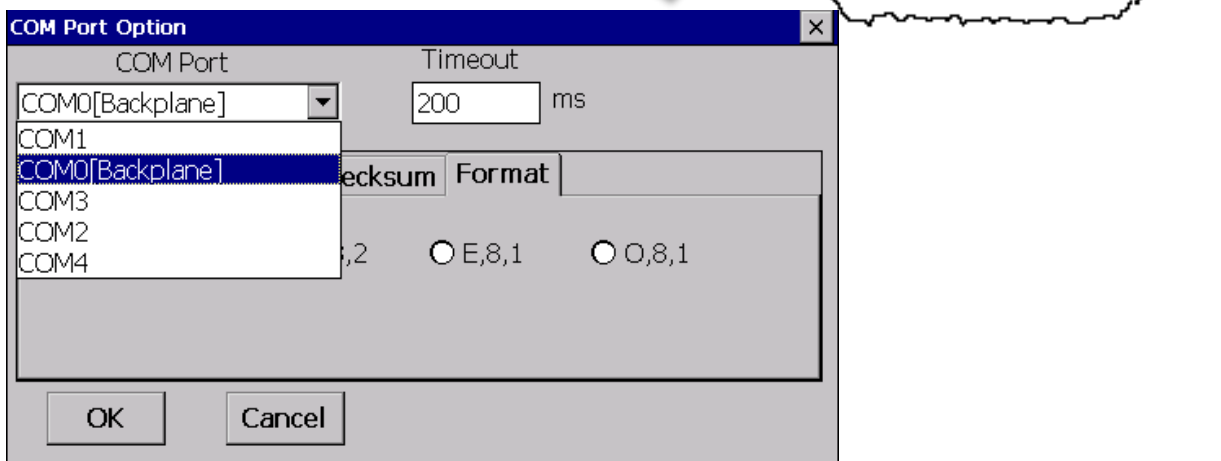
# 5

## Using DCON Utility Pro to Configure I/O Modules

Step 1: Double-click the DCON Utility Pro on the desktop

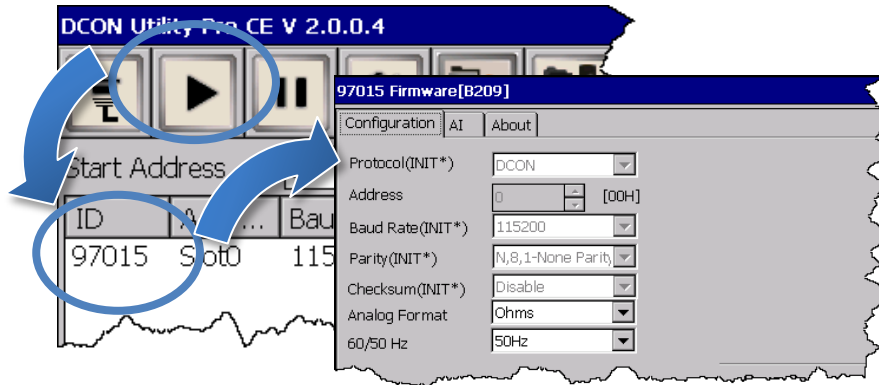
Step 2: Click the  button

Step 3: Configure the communication settings



Step 4: Click the  button

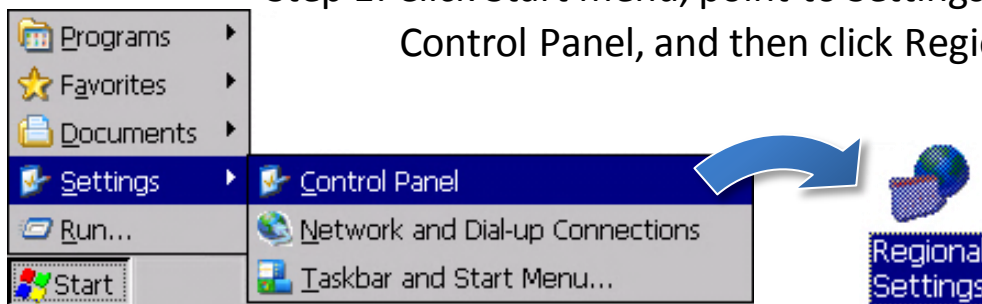
Step 5: Click the module name to configure the I/O module



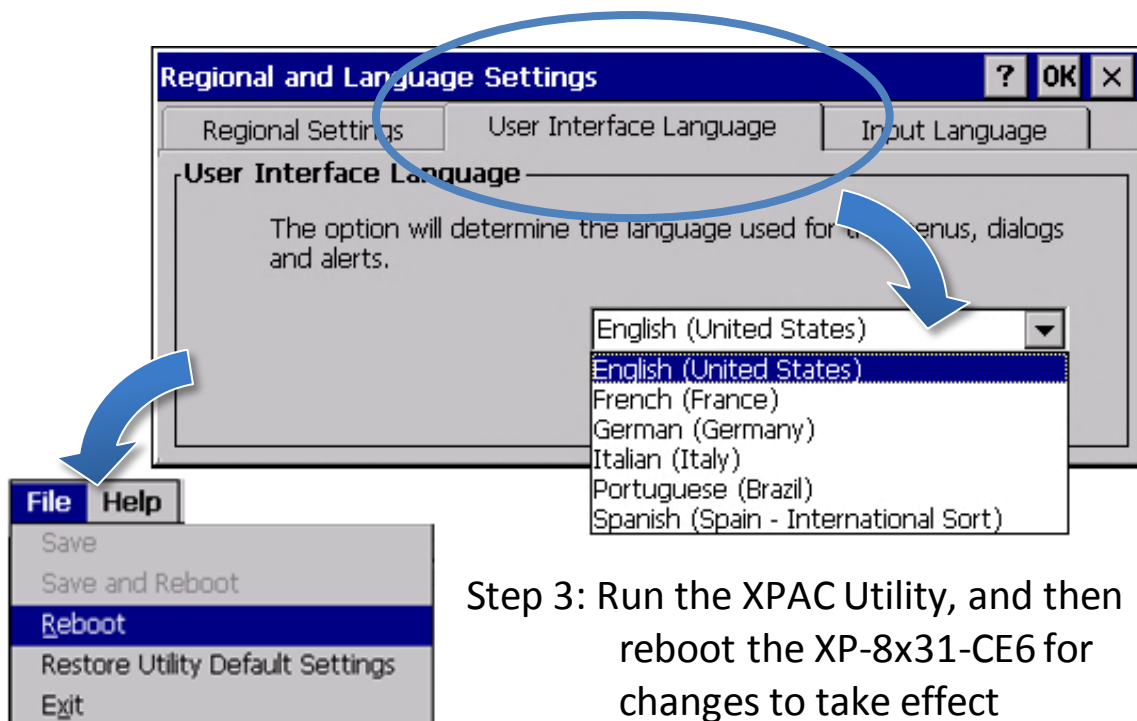
# 6

## Changing the User Interface Language

Step 1: Click Start menu, point to Settings, click Control Panel, and then click Regional Settings



Step 2: Click User Interface Language tab, choose to your local language, and then click OK



Step 3: Run the XPAC Utility, and then reboot the XP-8x31-CE6 for changes to take effect