



## FRB-200U

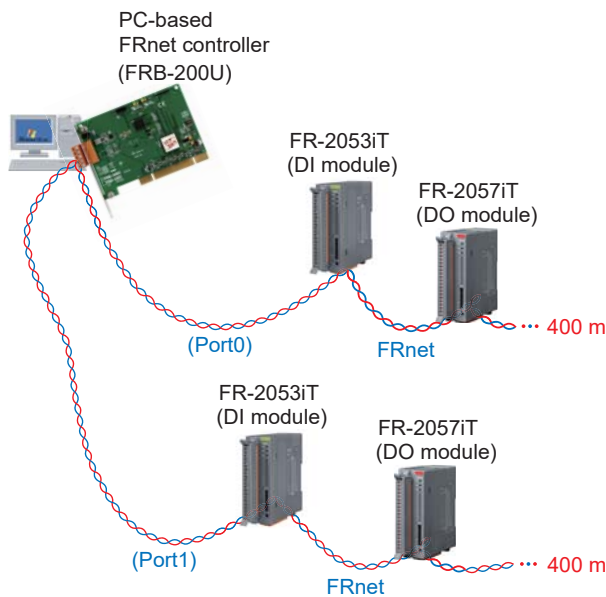
Isolated FRnet Communication Board

### Introduction

PC-based I/O control systems are widely used in measurement and control system applications. But sometimes it is very difficult to meet the demands of critical timing control missions. As a result of the special features of FRnet, such as real I/O synchronization and fixed scan time, FRB boards can be added to PC-based systems to give additional PLC-like control functions, with no need to mix PC-based controllers with PLCs. The FRB-200U supports 5V and 3.3V PCI bus and fully compatible with the FRB-200.

Traditional high-channel-count I/O cards occupy several PC slots, and the bulky cables can be difficult to handle. Several FRB boards can be combined to work together to control thousands of I/O channels. Reduced cabling, lower labor costs, easy installation and higher reliability are the major advantages of an FRnet solution.

The FRB-200U is an isolated FRnet communication board. The FRB-200U has two FRnet ports. Each FRnet port can control a maximum of 16 communication nodes, numbered from 0 to 15. Each single node of the remote I/O module can control a maximum of 16 DI/DO (8 DI and 8 DO) channels. In other words, each FRnet port can control a maximum of 256 DI/DO (128 DI and 128 DO) channels.



### Features

- Reduced Wiring two-wire cabling
- Innovative token-stream communication technology
- Real-time I/O synchronization capabilities
- Fixed cyclic scan time for deterministic control
- High speed distributed I/O control capabilities
- Memory-mapping I/O programming
- Easily programmable
- No software overhead for protocol processing
- Universal PCI card, supports both 5V and 3.3V PCI bus.



### Applications

- Industrial Automation
- Remote I/O control
- Building Automation
- Parking Lot Management

### Software

#### Drivers

- 32-bit Windows XP/2003/2008/7/8/10
- 64-bit Windows XP/2003/2008/7/8/10

#### Sample Programs

- 64-bit Windows XP/2003/2008/7/8/10
- VB/VC/Delphi/BCB/VB.NET/C#.NET/VC.NET

### Hardware Specifications

Interface	
Bus Type	3.3 V/5 V Universal PCI, 32-bit, 33 MHz
FRnet Ports	2
Transfer Speed	250 kbps
Transfer Distance	400 m Max.
Cyclic Scan Time	128 input/128 output points@2.88 ms
Wire Cable	(shielded) Twisted-pair cable
Power	
Consumption	5 VDC @ 250 mA (Max.)
Mechanical	
Dimensions (W x L x D)	120 mm x 90 mm x 22 mm
Environmental	
Operating Temperature	0 °C ~ +55 °C
Storage Temperature	-20 °C ~ +65 °C
Humidity	0 ~ 90% RH, non-condensing

### Pin Assignments

Port0-A		Pin_1
Port0-B		Pin_2
N.C		Pin_3
Port1-A		Pin_4
Port1-B		Pin_5

### Ordering Information

<b>FRB-200U</b>	2-channel Isolated FRnet Communication Board (Universal PCI Bus)
-----------------	--