



## M-7041(D)-A5

14-channel High Voltage Isolated Digital Input Module

### Features

- 150V High Voltage Digital Inputs
- Sink- or Source-type Digital Inputs
- Photocouple Isolation
- All Channels Can Be Used As 16-bit Counters
- 4 kV ESD Protection
- 3750 Vdc Isolation Voltage
- Built-in Dual Watchdog
- Wide Operating Temperature Range: -25 ~ +75°C



### Introduction

The M-7041(D)-A5 provides 14 channels for high voltage digital input, each of which features photocouple isolation. The input voltage level could be as high as 150V. In addition, either sink- or source-type digital input can be selected via wire connections, and all channels are able to be used as 16-bit counters. The M-7041D-A5 has 14 LED indicators for DI channel status monitoring. 4 kV ESD protection and 3750 VDC intra-module isolation are standard. The M-7041(D)-A5 support both the Modbus RTU and DCON protocols, which can be configured via software.

### Applications

- All Types of On/Off Control
- Industrial Automation
- Industrial Machinery
- Building Automation
- Food and Beverage Systems
- Semiconductor Fabrication
- Control Systems

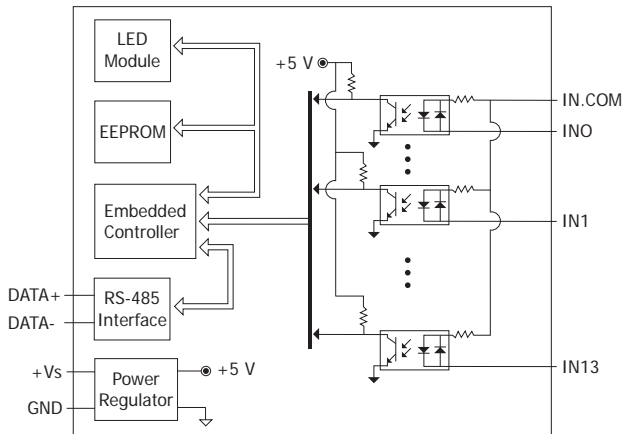
### System Specifications

Model	M-7041-A5	M-7041D-A5
<b>Communication</b>		
Interface	RS-485	
Format	N, 8, 1	
Baud Rate	1200 ~ 115200 bps	
Protocol	Modbus RTU, DCON	
Dual Watchdog	Yes, Module (1.6 Seconds), Communication (Programmable)	
<b>LED Indicator/Display</b>		
System LED Indicator	Yes, 1 LED as Power/Communication Indicator	
I/O LED Indicator	-	Yes
<b>Isolation</b>		
Intra-Module Isolation, Field-to-Logic	3750 Vdc	
<b>EMS Protection</b>		
ESD (IEC 61000-4-2)	4 kV Contact for Each Terminal	
	8 kV Air for Random Point	
EFT (IEC 61000-4-4)	±4 kV, ±2 kV for the RS-485 Port	
<b>Power</b>		
Reverse Polarity Protection	Yes	
Input Range	10 ~ 30 Vdc	
Consumption	0.2 W	1.0 W
<b>Mechanical</b>		
Dimensions (W x L x H)	72 mm x 123 mm x 35 mm	
Installation	DIN-Rail or Wall Mounting	
<b>Environment</b>		
Operating Temperature	-25 ~ +75°C	
Storage Temperature	-40 ~ +85°C	
Humidity	10 ~ 95% RH, Non-condensing	

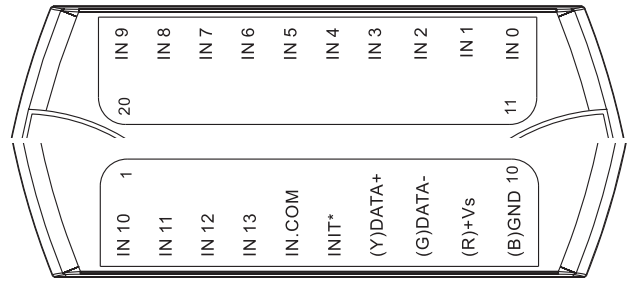
### I/O Specifications

Model	M-7041-A5	M-7041D-A5
<b>Digital Input/Counter</b>		
Channels	14	
Contact	Wet	
Sink/Source (NPN/PNP)	Sink/Source	
Wet Contact	On Voltage Level	+68 ~ +150 Vdc
	Off Voltage Level	+48 Vdc Max.
Dry Contact	On Voltage Level	-
	Off Voltage Level	-
Counters	Max. Count	65535 (16-bit)
	Max. Input Frequency	100 Hz
	Min. Pulse Width	5 ms
Input Impedance	50 KΩ	

Internal I/O Structure



Pin Assignments



Wire Connections

Digital Input/Counter	ON State Readback as 1 +68 ~ +150 Vdc	OFF State Readback as 0 OPEN or <48 Vdc
Sink		
Source		

Ordering Information

M-7041-A5-G CR	14-channel High Voltage Isolated Digital Input Module with DCON and Modbus Protocol (Gray Cover) (RoHS)
M-7041D-A5-G CR	M-7041-A5 with LED Display (Gray Cover) (RoHS)

Accessories

	tM-7520U CR	RS-232 to RS-485 Converter (RoHS)
	tM-7561 CR	USB to RS-485 Converter (RoHS)
	tM-SG4 CR	RS-485 Bias and Termination Resistor Module (RoHS)
	I-7514U CR	4-channel RS-485 Hub (RoHS)
	SG-770 CR	7-channel Differential or 14-channel Single-ended Surge Protector (RoHS)
	SG-3000 series	Signal Conditioning Modules for Thermocouple, RTD, DC Voltage, DC Current and Power Inputs

2  
3  
RS-485 Remote I/O Modules

M-7041(D)-A5